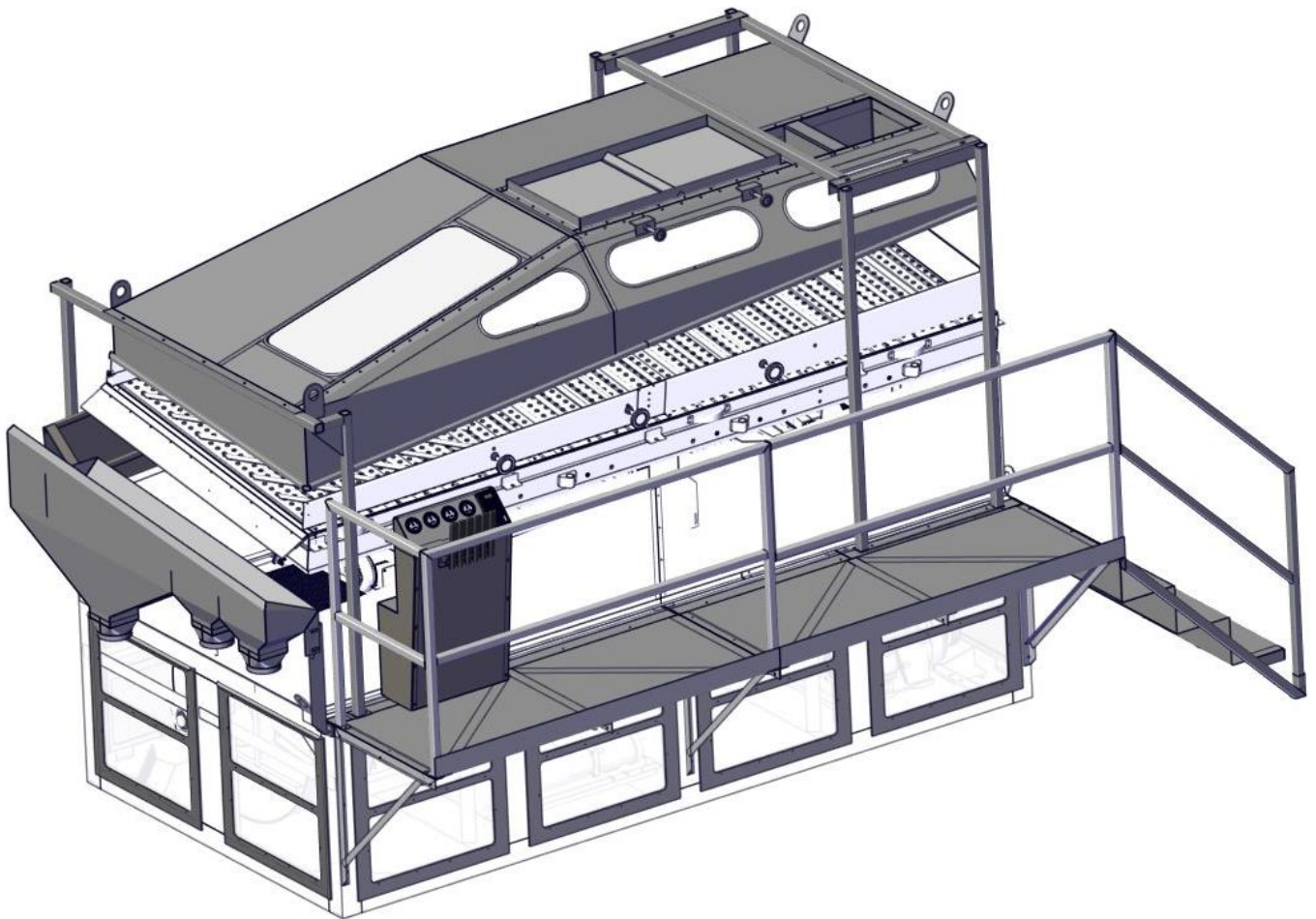


3600 Maxi - Cap Gravity

Parts Manual



Oliver[™]
Innovate. Build. Repeat.

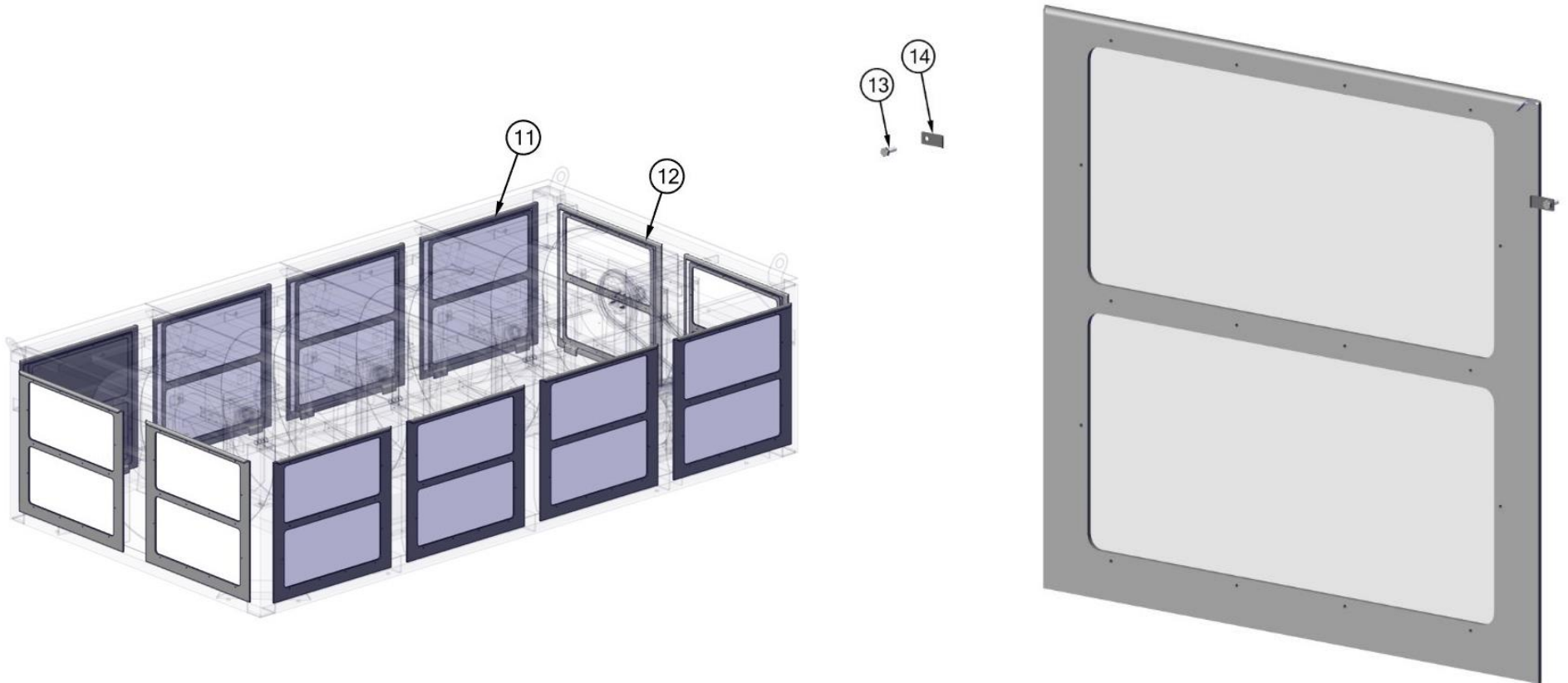
Contact Information:

Main Office and Production
27151 Harris Road
La Junta, CO 81050

Phone: 719-383-9880 | USA TOLL # 1-888-254-7813

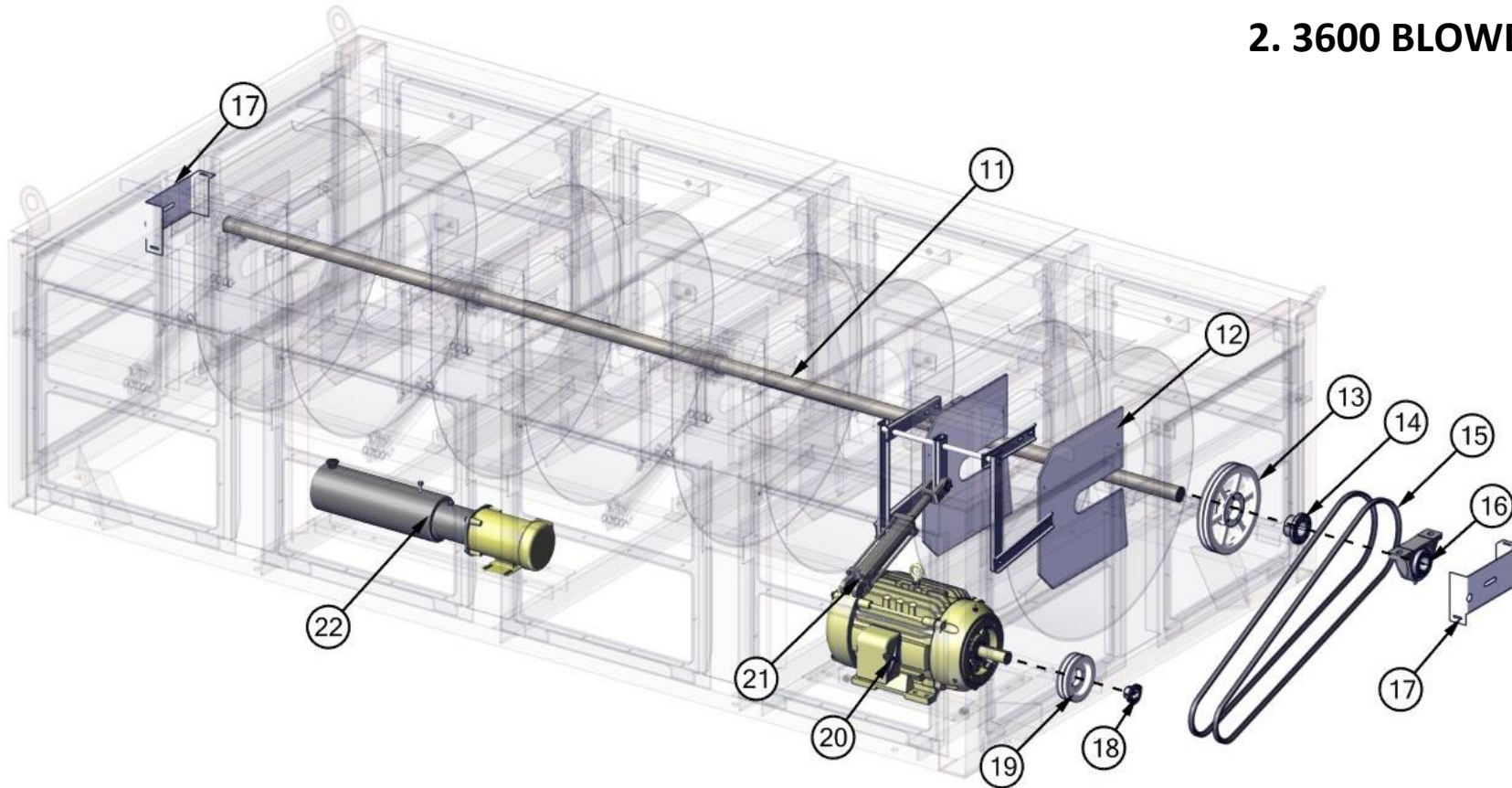
INTERNATIONAL +1.719.254.7813

1. 3600 FLUSH FILTER ASSEMBLY



ITEM NO	PART NUMBER	DESCRIPTION	QTY
11.	SAF003	M/C FLUSH FILTER COMPLETE	8
12.	SAF003	M/C FLUSH FILTER COMPLETE	4
13.	ZBT382	1/4Inch X 3/4Inch HEX CAP SCREW SAE	24
14.	AAAAF1011000	K-VOYAGER FLUSH FILTER CLAMP	24

2. 3600 BLOWER ASSEMBLY

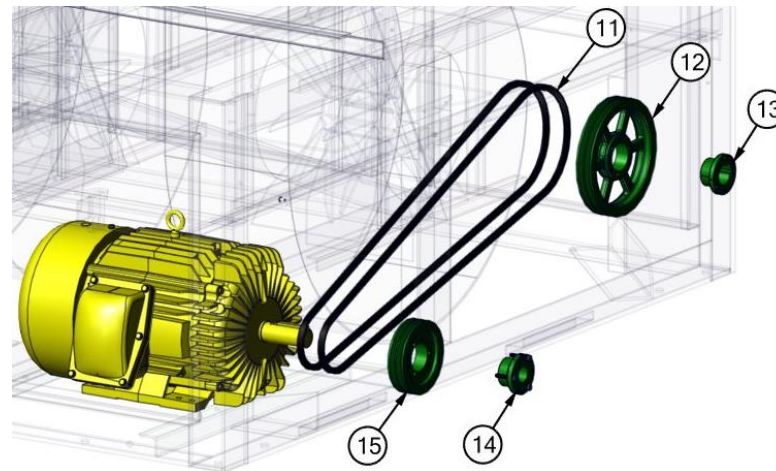


ITEM NO	PART NUMBER	DESCRIPTION	QTY
11.	QBF100	#3600 FAN SHAFT	1
12.	SBF310	MAXI-CAP FAN GATE	8
13.	ZBK920	2 GRV 5V 11.30SK QD SHEAVE	1
14.	ZBK990	SK BUSHING 2Inch	1
15.	ZBK200	ZBK200 5VX950 BELT	2
16.	ZBG220	2Inch PILLOW BLOCK BRG	5
17.	SBF515	K-3600 MAXI-CAP FAN SHAFT END	2
18.	ZBK980	SDS BUSHING 1 5/8Inch	1
19.	ZBK910	2 GRV 5V 5.90SDS QD SHEAVE	1
20.	ZMT201	20HP 230/460/3/60 256T TEFC E-MOTOR	1
21.	ZHY140	HYDRAULIC CYLINDERS 2 X 6	4
22.	ZHY102	HYDRAULIC PUMP MOTOR ONLY 1/2HP	1

2.1. 3600 BLOWER ASSEMBLY

60 CYCLE "A" DRIVE		
ITEM NO	PART NUMBER	DESCRIPTION
11.	ZBK205	5VX1000 BELT
12.	ZBK920	2 GRV 5V 11.30SK QD SHEAVE
13.	ZBK990	SK BUSHING 2Inch
14.	ZBK910	2 GRV 5V 5.90SDS QD SHEAVE
15.	ZBK980	SDS BUSHING 1 5/8Inch

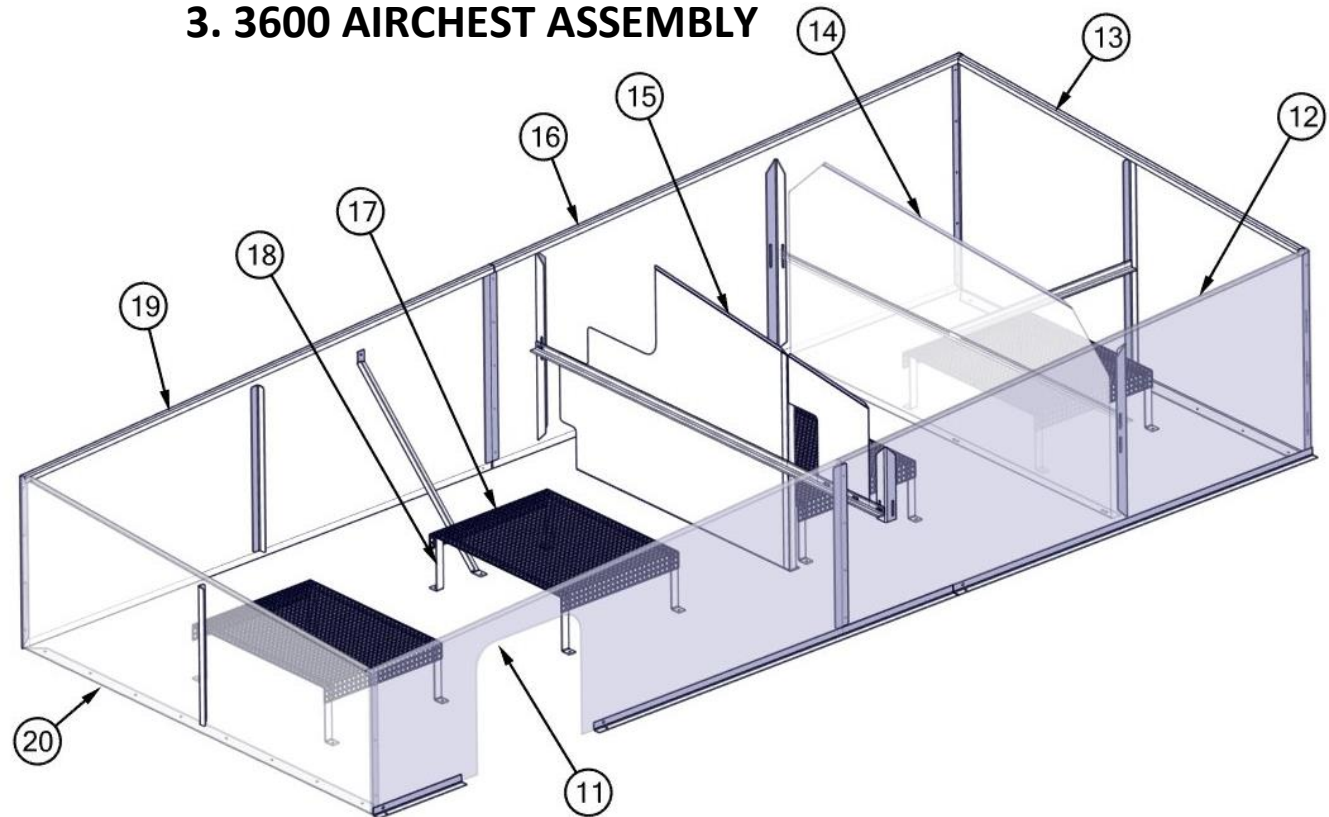
60 CYCLE "B" DRIVE		
ITEM	PART NUMBER	DESCRIPTION
11.	ZBK200	5VX950 BELT
12.	ZBK925	2 GRV 5V 15.00SF QD SHEAVE
13.	ZBK995	SF BUSHING 2Inch
14.	ZBK980	SDS BUSHING 1 5/8Inch
15.	ZBK935	2 GRV 5V 4.90SDS QD SHEAVE



50 CYCLE "A" DRIVE		
ITEM NO	PART NUMBER	DESCRIPTION
11.	ZBK205	5VX1000 BELT
12.	ZBK920	2 GRV 5V 11.30SK QD SHEAVE
13.	ZBK990	SK BUSHING 2Inch
14.	ZBK982	SK BUSHING 1 5/8Inch
15.	ZBK932	2 GRV 5V 7.10SK QD SHEAVE

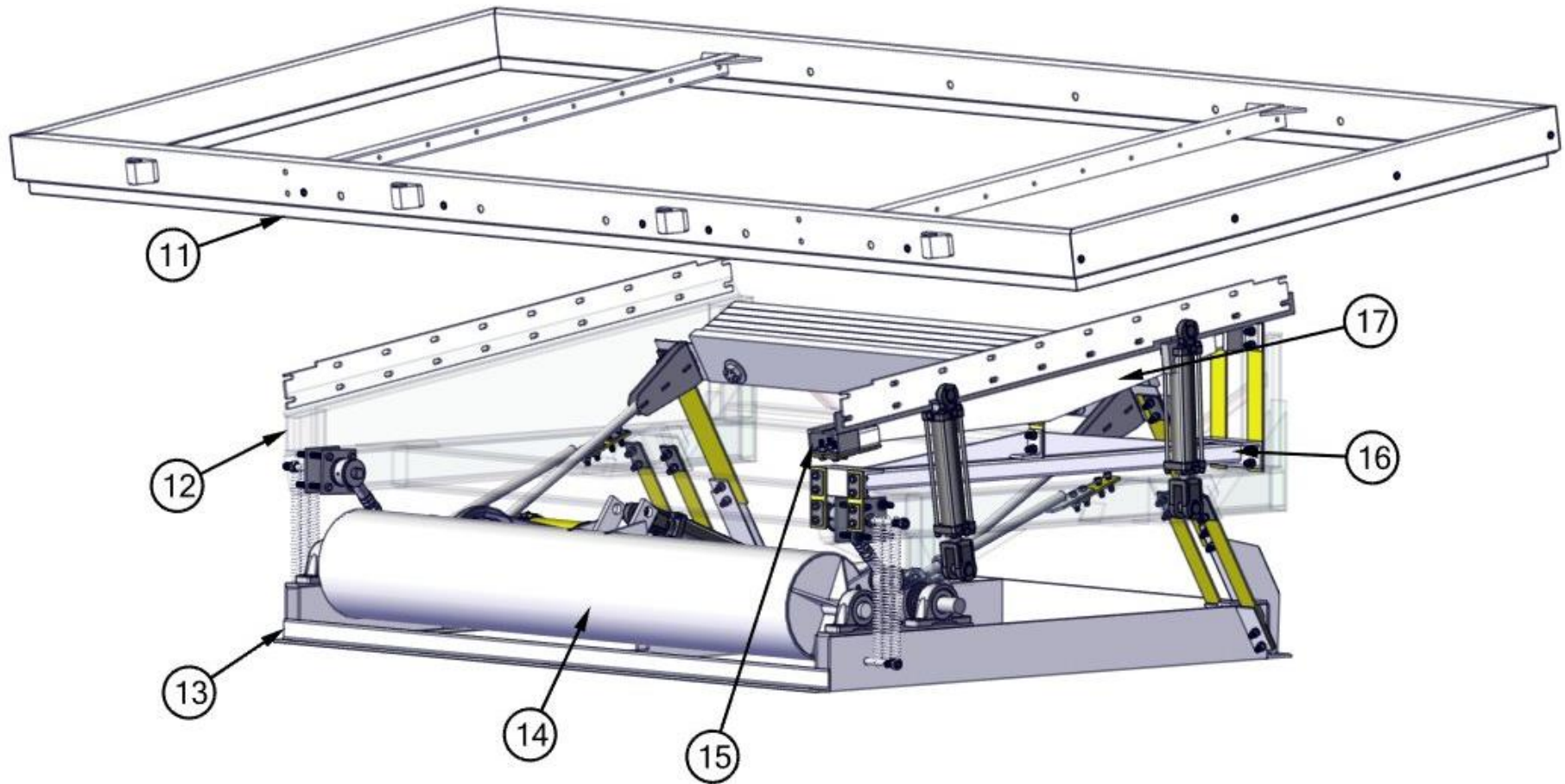
50 CYCLE "B" DRIVE		
ITEM NO	PART NUMBER	DESCRIPTION
11.	ZBK200	5VX950 BELT
12.	ZBK925	2 GRV 5V 15.00SF QD SHEAVE
13.	ZBK995	SF BUSHING 2Inch
14.	ZBK980	SDS BUSHING 1 5/8Inch
15.	ZBK910	2 GRV 5V 5.90SDS QD SHEAVE

3. 3600 AIRCHEST ASSEMBLY



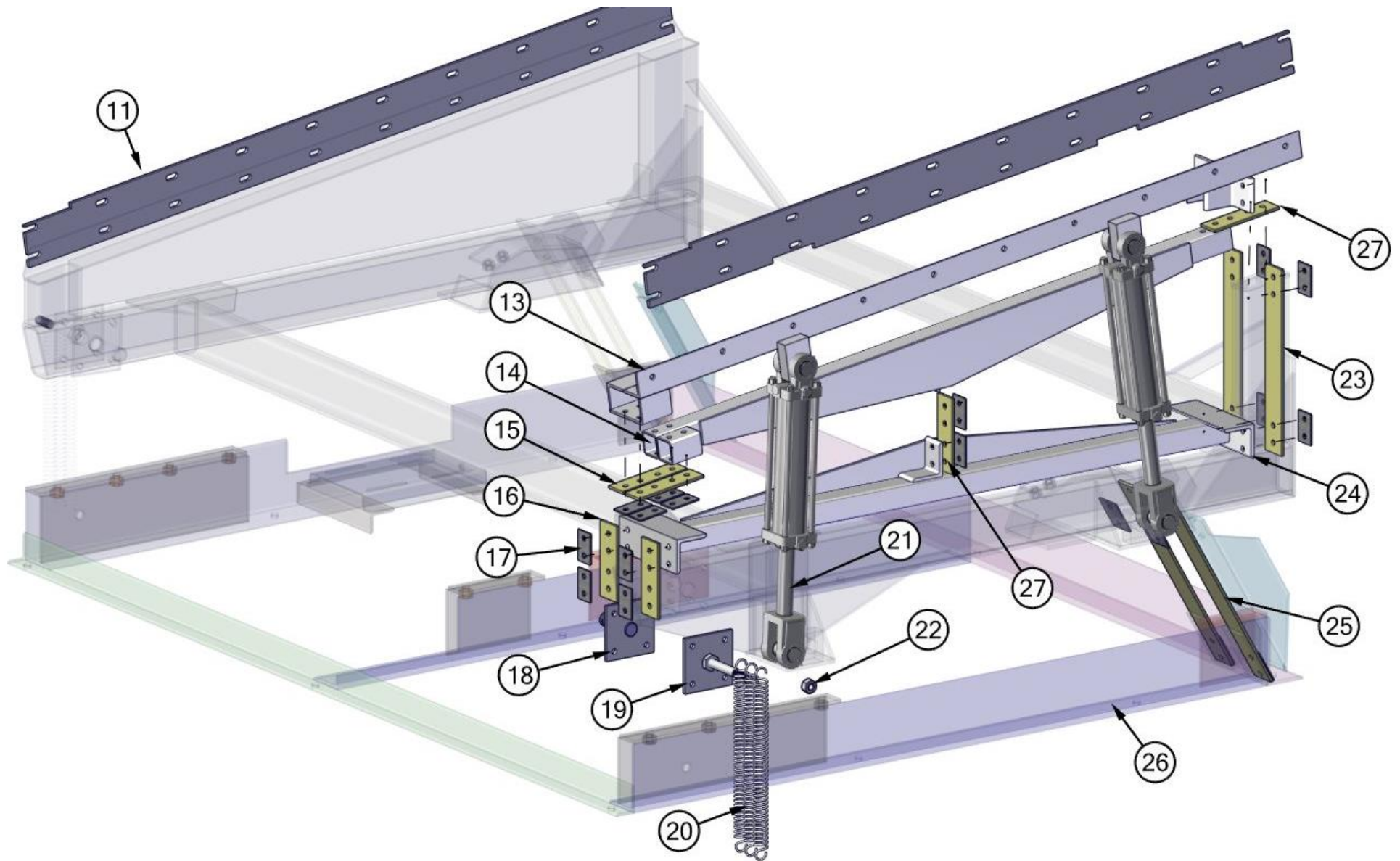
ITEM NO	PART NUMBER	DESCRIPTION	QTY
11.	QAC099(QAC100)	3600 LH A/C LOW SIDE DIS QTR PANEL (RH)	1
12.	QAC109(QAC110)	3600 LH A/C LOW SIDE FEED QTR PANEL(RH)	1
13.	QAC149 QAC150)	3600 LH A/C FEED END QTR PANEL(RH)	1
14.	QAC209(QAC210)	3600 LH A/C DIVIDER PANEL FEED END(RH)	1
15.	QAC219 QAC220)	3600 LH A/C DIVIDER PANEL-CENTER(RH)	1
16.	QAC139(QAC140)	3600 LH A/C HIGH SIDE FEED QTR PANEL(RH)	1
17.	SBF503	K-M/C AIR BAFFLE 18Inch	4
18.	SBF501	K-M/C AIR BAFFLE BRACKET	8
19.	QAC129(QAC130)	3600 LH A/C HIGH SIDE DIS QTR PANEL(RH)	1
20.	QAC119(QAC120)	3600 LH DISCHARGE END PANEL(RH)	1
21.	QAC340	#3600 CORDURA/DUAL LOCK AIR CHEST BOOT(NOT SHOWN)	1

4. 3600 UPPER SECTION ASSEMBLY



ITEM NO	PART NUMBER	DESCRIPTION	QTY
16.	QDK603(QDK602)	3600 MODULAR CARRIAGE COMPLETE LH (RH)	1
17.	QSB103(QSB104)	3600 LH SPRING BOARD WITH IMPVD BRACKET (RH)	1
18.	QEC103(QEC104)	3600 LH ECC BRG BKT -SINGLE TUBE (RH)	1
19.	QEC200	3600 TILT TUBE COMPLETES-SINGLE TUBE	1
20.	QSB301(QSB302)	3600 SP BOARD END RAISE TOP SCT LH (RH)	1
21.	QSB211	3600 SP BD STABILIZER LINK- BOTTOM PC	1
22.	QSB210	3600 SP BD STABILIZER LINK -TOP PC	1

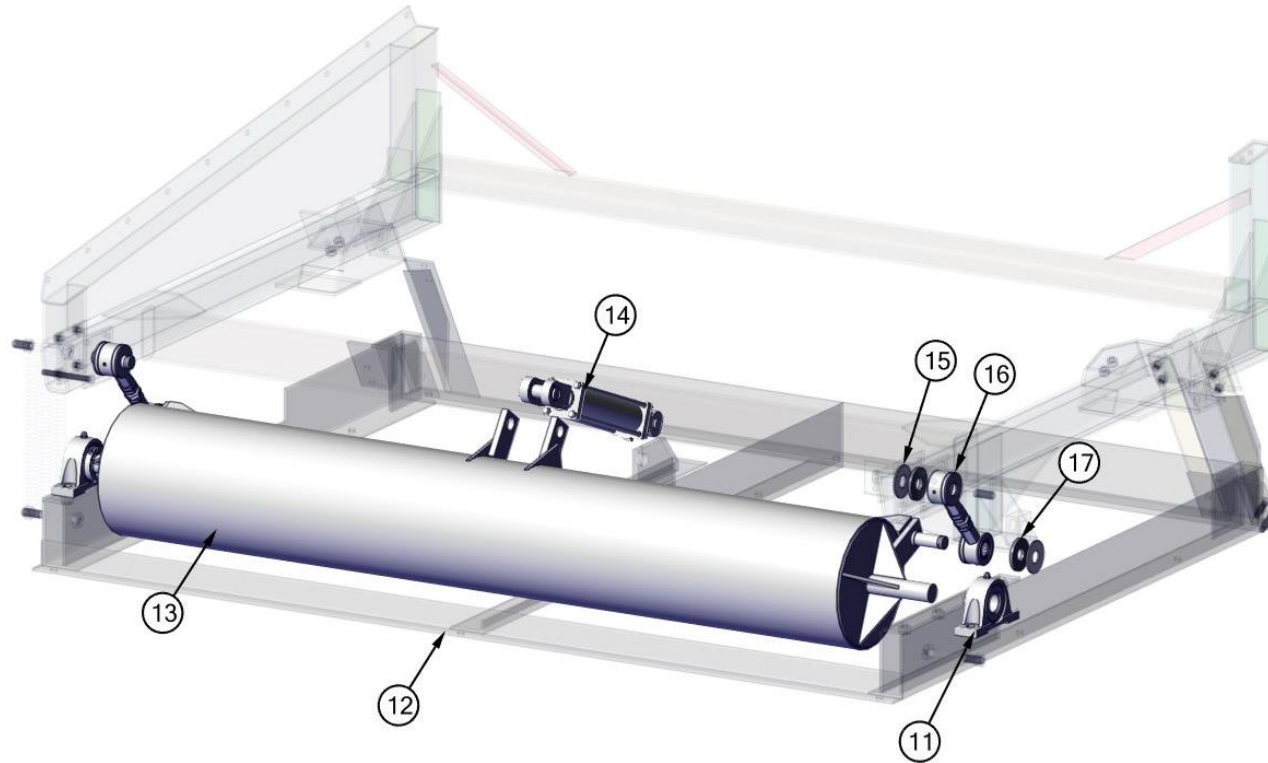
5. MAXI CAP SUSPENSION SYSTEM



5. MAXI CAP SUSPENSION SYSTEM

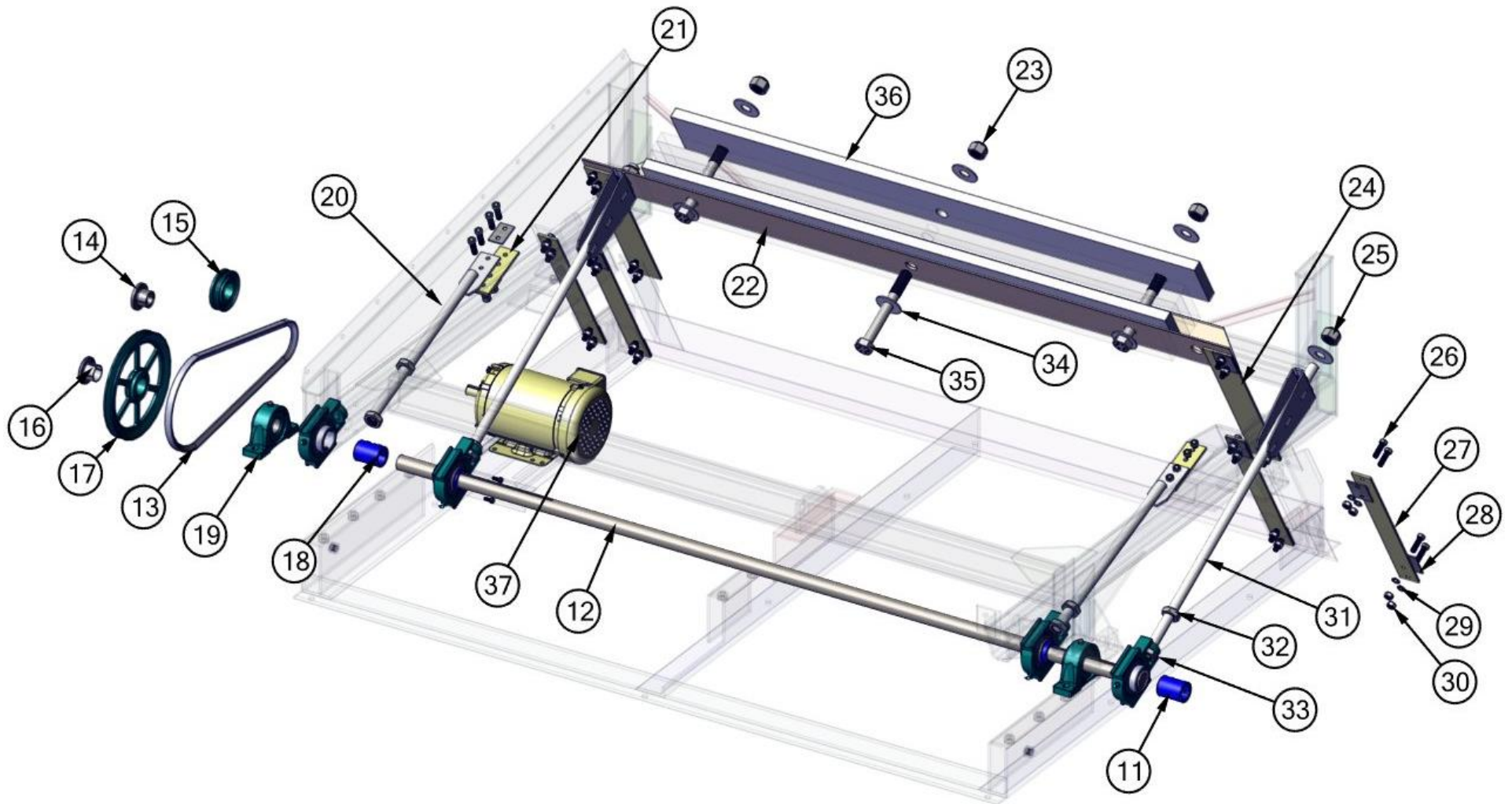
ITEM NO	PART NUMBER	DESCRIPTION	QTY
11.	QSB350	K-#3600 SPRING BOARD MACHINE PLATE	2
12.	QSB351	K-#3600 HINGE PLATE BACKING STRIP(NOT SHOWN)	4
13.	QSB301(QSB302)	3600 SP BOARD END RAISE TOP SCT LH (RH)	1
14.	QSB210	3600 SP BD STABILIZER LINK-TOP PC	1
15.	SFG137	SCOTCHPLY 1 3/4 X 5 1/2X.195 HOLE OFFSET	2
16.	ZFG130	SCOTCHPLY - 2Inch X 5 1/2Inch -.195Inch	2
17.	SSB102	K-M/C SCOTCHPLY BACK PLATE 1 1/2 X 2 1/4	8
18.	SSB105	K-M/C SP BOARD TILT LINK MOUNT	2
19.	SSB107	K-M/C SP BOARD LOWER SPRING MOUNT	2
20.	ZSB500	EXTENSION SPRING 12Inch X 1 1/4InchOD	6
21.	ZHY140	HYDRAULIC CYLINDERS 2 X 6	1
22.	ZNT941	3/8Inch HEAVY HEX NUT (PLATED)	16
23.	ZFG120	SCOTCHPLY - 2Inch X 13 1/2Inch -.195Inch	2
24.	QSB211	3600 SP BD STABILIZER LINK(BOTTOM PC)	1
25.	ZFG110	SCOTCHPLY - 2Inch X 16 1/2Inch -.195Inch	4
26.	QEC103(QEC104)	3600 LH ECC BRG BKT -SINGLE TUBE (RH)	1
27.	SFG136	SCOTCHPLY 1 3/4 X 5 1/2 X.195 HOLE CNTRD	2

6. 3600 TILT TUBE ASSEMBLY



ITEM NO	PART NUMBER	DESCRIPTION	QTY
11.	ZBG210	1 7/16Inch PILLOW BLOCK BRG - Tilt Tube	2
12.	QEC103(QEC104)	3600 LH ECC BRG BKT -SINGLE TUBE (RH)	1
13.	QEC200	3600 TILT TUBE COMPLETES-SINGLE TUBE	1
14.	ZHY140	HYDRAULIC CYLINDER 2Inch X 6Inch	1
15.	ZWA950	1Inch USS FLAT WASHER	15
16.	SEC310	MAXI-CAP TILT LINK COMPLETE	2
17.	ZWA306	.062 X 1ID X 2.5 OD HDPE PLASTIC WASHER	32

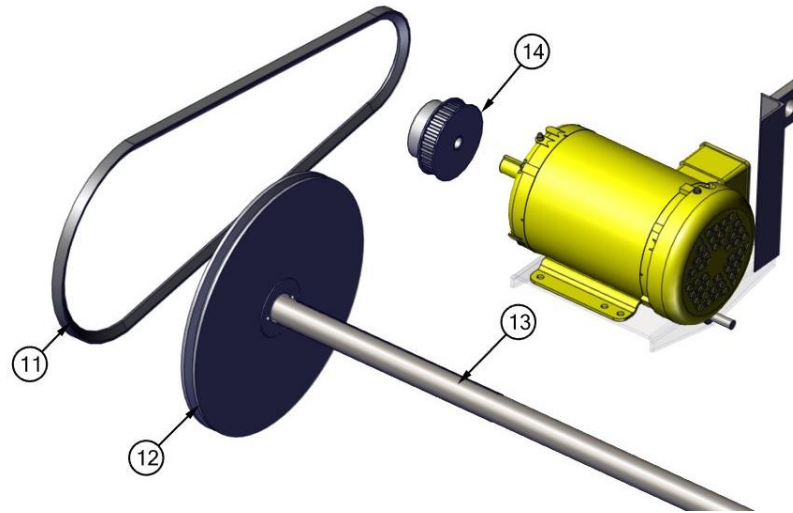
7. 3600 ECCENTRIC ASSEMBLY



7. 3600 ECCENTRIC ASSEMBLY

ITEM NO	PART NUMBER	DESCRIPTION	QTY
11.	SEC350	M/C ECCENTRIC HEART - COMPLETE	4
12.	QEC350	3600 ECCENTRIC SHAFT 78Inch	1
13.	ZBK246	B46 BELT	1
14.	ZBK370	H BUSHING 7/8Inch	1
15.	ZBK805	BK36H SHEAVE (H BUSHING REQD)	1
16.	ZBK901	H BUSHING 1 7/16Inch	1
17.	ZBK810	BK100H SHEAVE (H BUSHING REQD)	1
18.	SEC352	M/C ECC HEART {1/8" THROW 1 7/16 SHAFT}	4
19.	ZBG211	1 7/16Inch PILLOW BLOCK BRG-SKWEZLOK	3
20.	SEC340	K-M/C ECCENTRIC DRIVE ROD COMPLETE	2
21.	ZFG130	SCOTCHPLY - 2Inch X 5 1/2Inch -.195Inch	2
22.	QEC300	3600 COUNTER WEIGHT MOUNT ANGLE	1
23.	ZNT510	1Inch NYLON INSERT LOCK NUT	6
24.	ZFG100	SCOTCHPLY - 3Inch X 16 1/2Inch - 0.26 undirectional	2
25.	ZNT510	1Inch NYLON INSERT LOCK NUT	6
26.	ZBT495	1/2Inch X 1 1/2Inch HEX CAP SCREW	16
27.	ZFG110	SCOTCHPLY - 2Inch X 16 1/2Inch - .195Inch	4
28.	SSB101	K-M/C SCOTCHPLY BACK PLATE 2 X 2 1/2	12
29.	ZWA933	1/2Inch FLAT WASHER (USS) ZINC	16
30.	ZNT948	1/2Inch HEAVY HEX NUT (PLATED)	16
31.	QEC320	3600 COUNTER WT DRIVE ROD COMPLETE	2
32.	ZNT900	1Inch HEX JAM NUT	8
33.	ZBG230	1 15/16Inch TAKE UP UNIT BRG	4
34.	ZWA950	1Inch USS FLAT WASHER	6
35.	ZBT615	1Inch X 8Inch HEX CAP SCREW	3
36.	QEC301	#3600 COUNTER WEIGHT PLATE 1X5-55	6
37.	ZMT005	2HP 230/460/3/60 145T E-MOTOR	1

7.1. 3600 ECCENTRIC VARISPEED ASSEMBLY



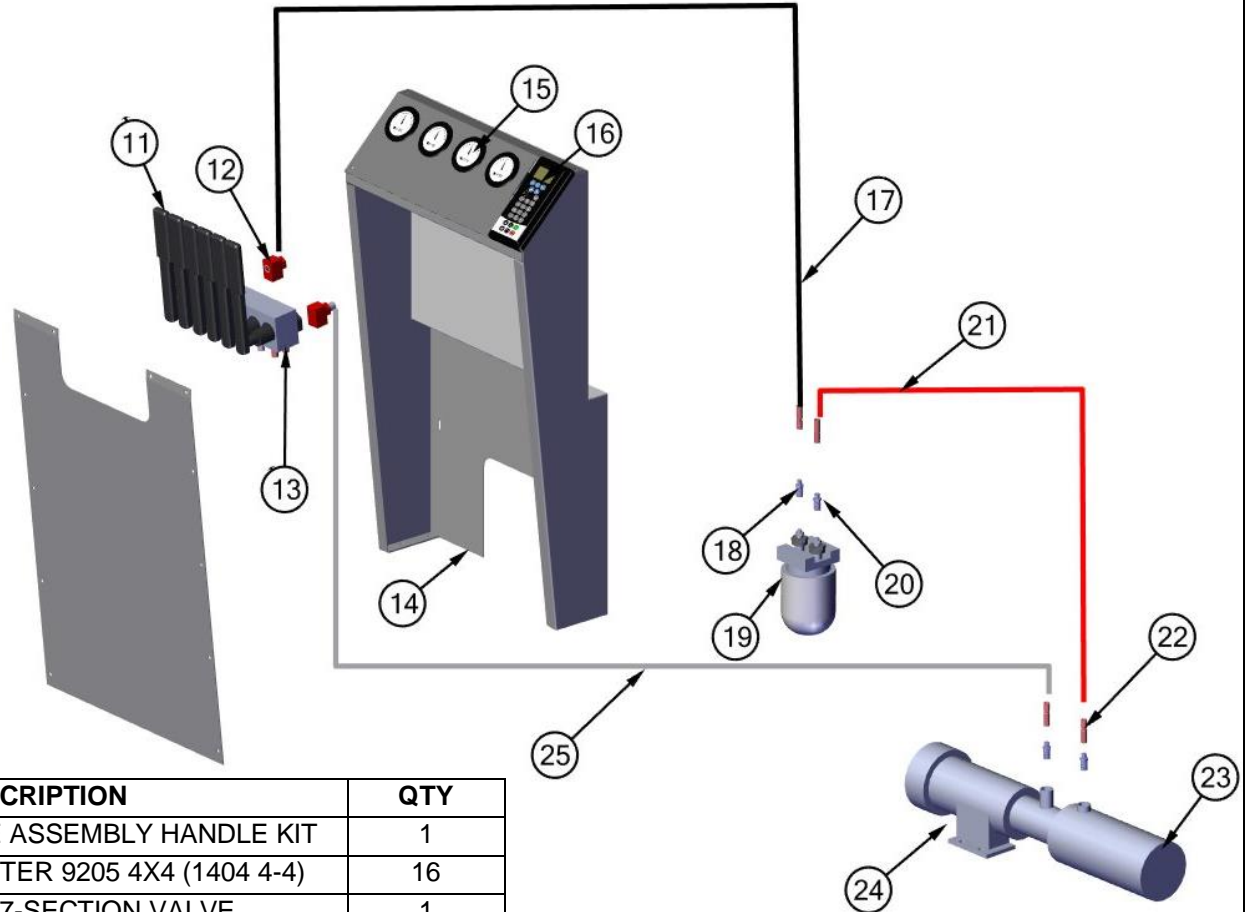
60 CYCLE

ITEM NO	PART NUMBER	DESCRIPTION
11.	ZBK255	B55 BELT
12.	ZBK900	BK140H SHEAVE (H BUSHING REQD)
13.	REC350	ECCENTRIC SHAFT
14.	ZVS203	M/C VARISPEED PULLEY (BRZ BSH 66150X7/8"-4.125"OD)

50 CYCLE

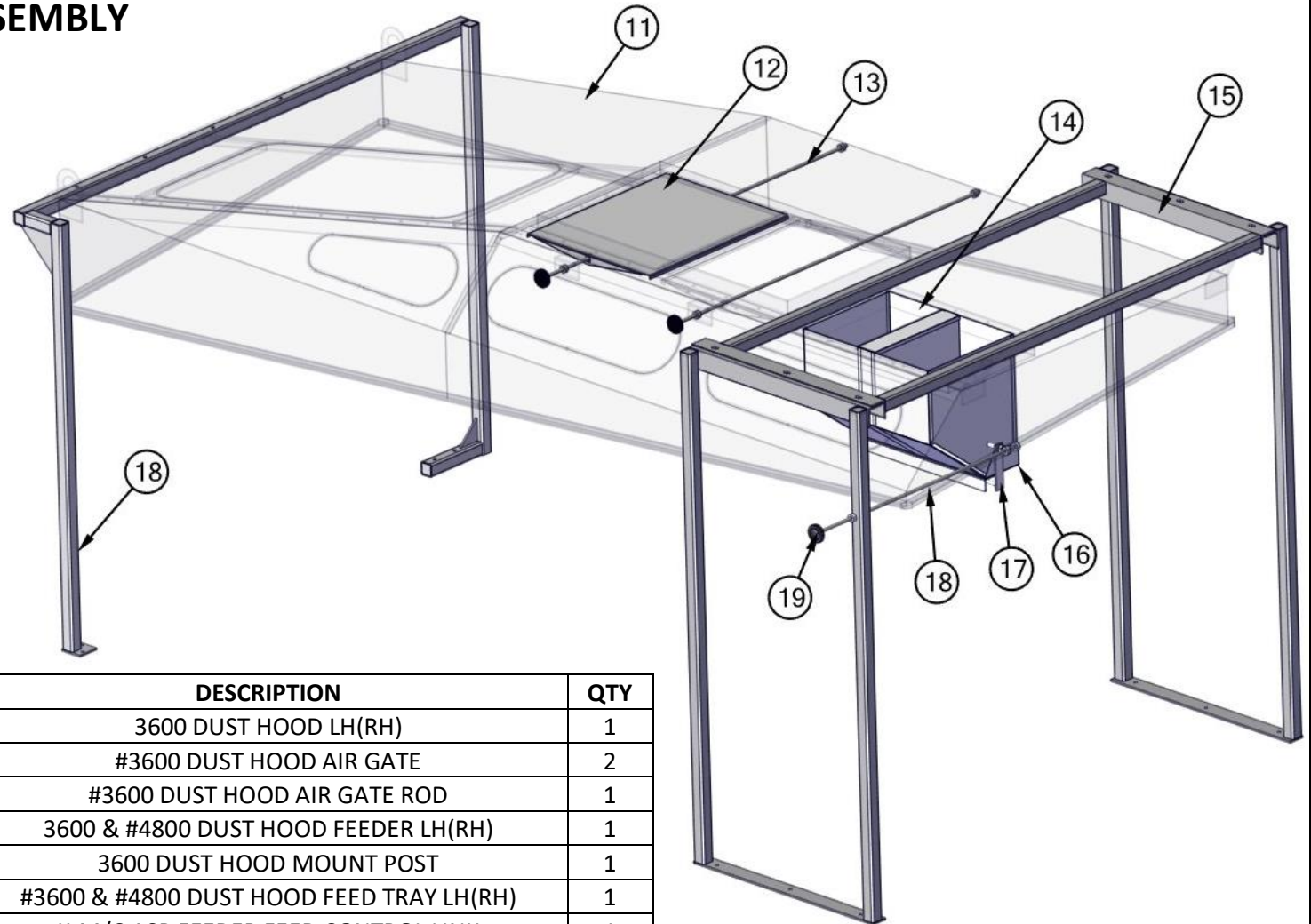
ITEM NO	PART NUMBER	DESCRIPTION
11.	ZBK253	B53 BELT
12.	ZBK901	H BUSHING 1 7/16Inch
13.	REC350	ECCENTRIC SHAFT
14.	ZVS203	M/C VARISPEED PULLEY (BRZ BSH 66150X7/8"-4.125"OD)
15.	ZBK901	H BUSHING 1 7/16 INCH

8. 3600 M/C CONSOLE



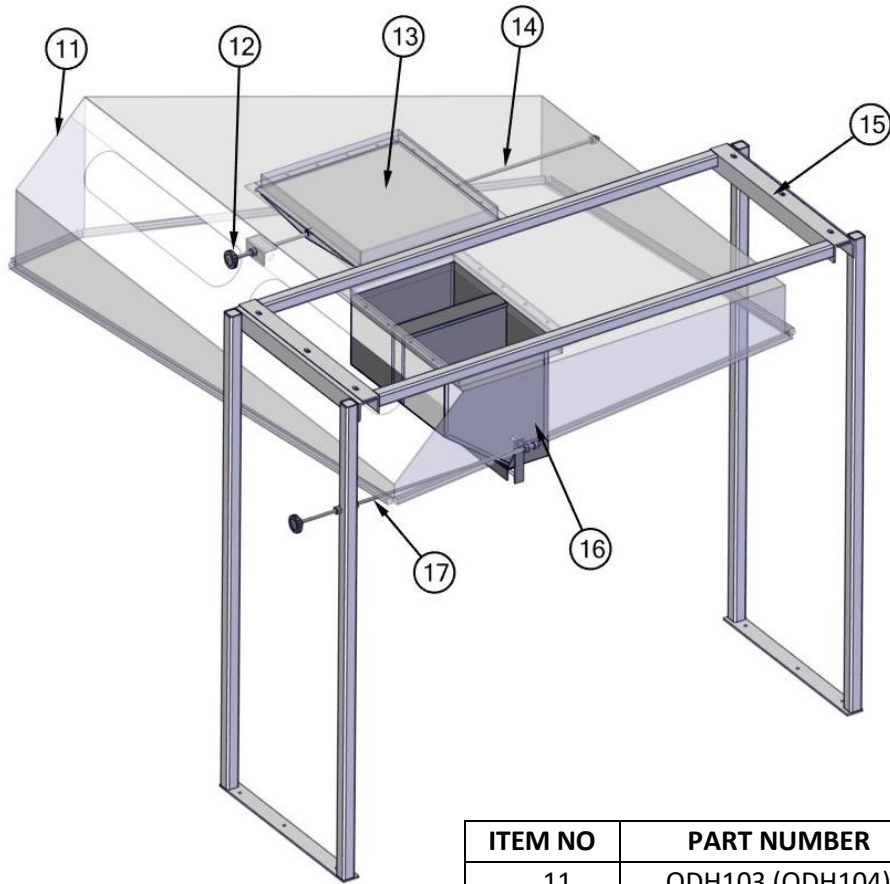
ITEM NO	PART NUMBER	DESCRIPTION	QTY
11.	ZHY117	HYDRAULIC VALVE ASSEMBLY HANDLE KIT	1
12.	ZHY260	HYDRAULIC ADAPTER 9205 4X4 (1404 4-4)	16
13.	ZHY110	HYDRAULIC 7-SECTION VALVE	1
14.	QHY002	#3600/1205 HYD OPERATOR CONSOLE	1
15.	ZVS231	AIR INDICATOR GAGE 2-5001 (Low)	4
16.	ZVS194	AC INVERTER REMOTE KIT (AB-22-HIM-C2S)	1
17.	ZHY300	HYDRAULIC 1/4Inch HOSE (4C1T/4G1)	8.80 FT
18.	ZHY240	HYDRAULIC ADAPTER 9205 4X6 (1404 6-4)	23
19.	ZHY151	HYDRAULIC FILTER ELEMENT	1
20.	ZHY250	HYDRAULIC ADAPTER 9205 6X6 (1404 6-6)	2
21.	SHY382	M/C PUMP FILTER RETURN 3/8Inch HOSE 4.5F	1
22.	ZHY230	HYDRAULIC ADAPTER 9315 6X4 (6900 6-4)	20
23.	ZHY101	HYDRAULIC PUMP ONLY (USE WITH 1/2HP)	1
24.	ZHY102	HYDRAULIC PUMP MOTOR ONLY 1/2HP	1
25.	SHY381	M/C PUMP VALVE 3/8Inch HOSE 7FT	1

9. 3600 DUSTHOOD ASSEMBLY



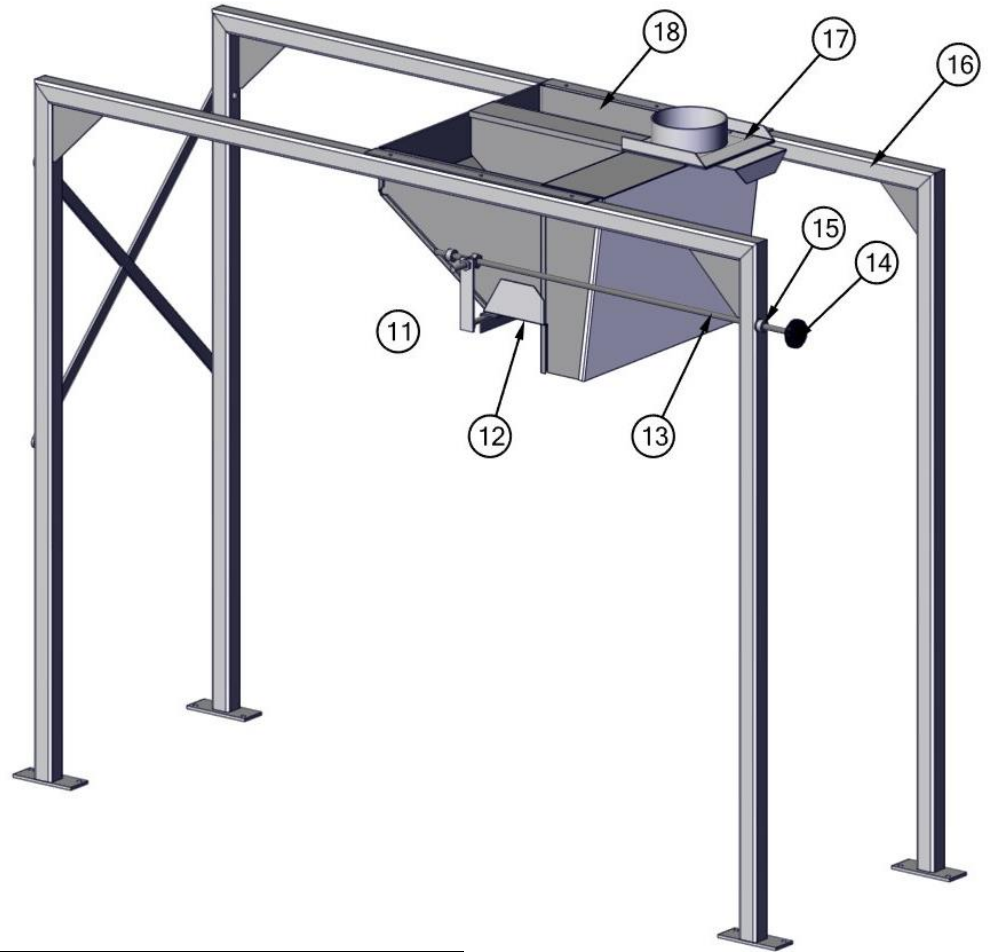
ITEM NO	PART NUMBER	DESCRIPTION	QTY
11.	QDH101(QDH102)	3600 DUST HOOD LH(RH)	1
12.	QDH140	#3600 DUST HOOD AIR GATE	2
13.	QDH142	#3600 DUST HOOD AIR GATE ROD	1
14.	SDH117(SDH120)	3600 & #4800 DUST HOOD FEEDER LH(RH)	1
15.	QDH136	3600 DUST HOOD MOUNT POST	1
16.	SDH025 (SDH020)	#3600 & #4800 DUST HOOD FEED TRAY LH(RH)	1
17.	SAF330	K-M/C ASP FEEDER FEED CONTROL LINK	1
	ZNT957	1/2Inch HEAVY HEX JAM NUT ZINC (W/ ITEM17)	2
	ZNT775	1/2 INCH COLLAR (W/ITEM 17)	4
18.	ABF311	240,316 SHORT AIR GATE ACME ROD	1
19.	ZBF003	PLASTIC KNOB WITH RECIPROCAL HANDLE	3
20.	QDH135(QDH134)	3600 LH DUST HOOD DISCH END MT(RH) POST	1
21.	ZDH152	LED DUST HOOD LIGHT 3Light-NOT SHOWN	1
22.	QDH321(QDH320)	3600 LH CORDURA DH BOOT(RH)-NOT SHOWN	1

10. 3600 MINI HOOD



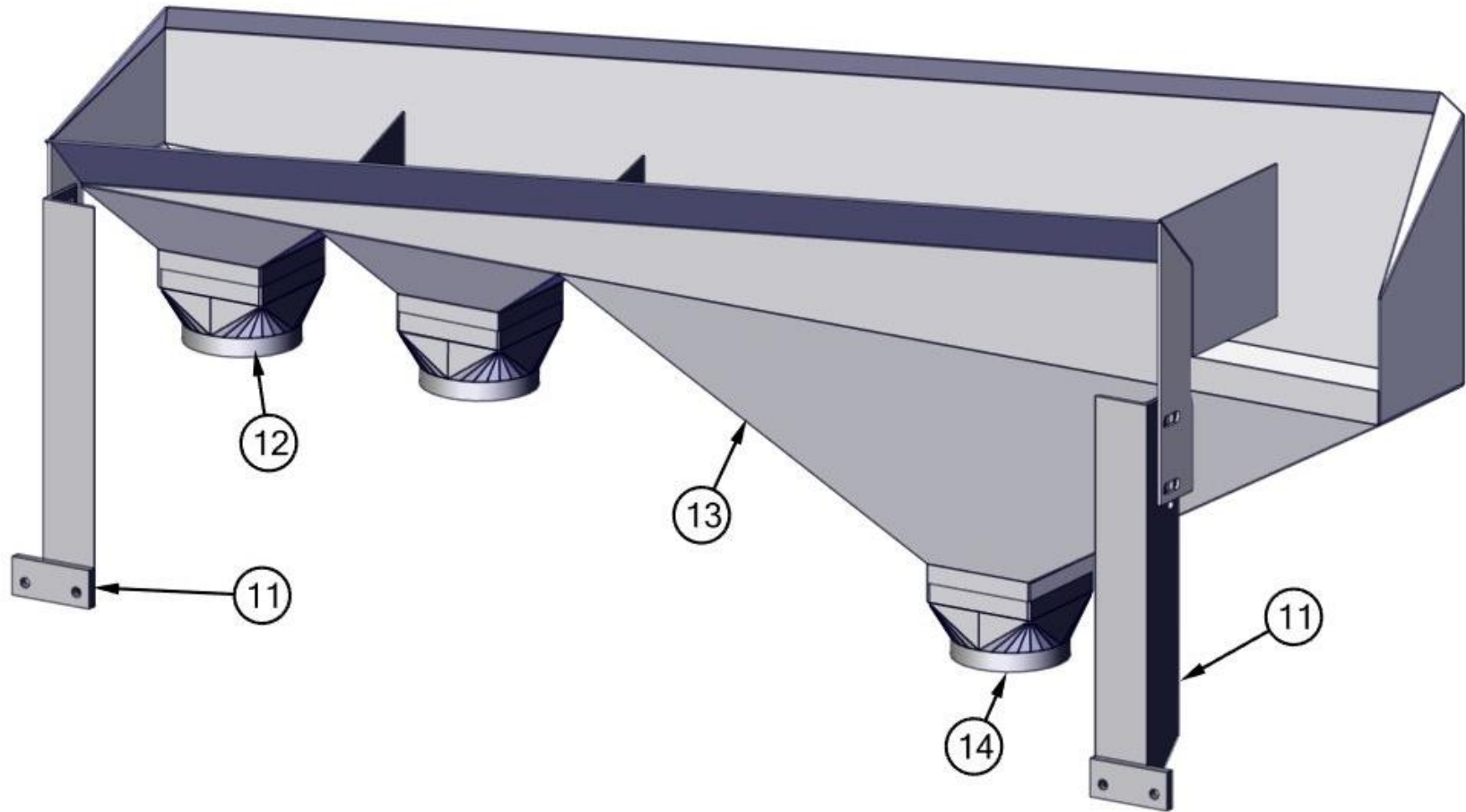
ITEM NO	PART NUMBER	DESCRIPTION	QTY
11.	QDH103 (QDH104)	#3600 MINI DUST HOOD LH	1
12.	ZBF003	PLASTIC KNOB WITH RECIPROCAL HANDLE	1
13.	QDH140	#3600 DUST HOOD AIR GATE	1
14.	QDH142	#3600 DUST HOOD AIR GATE ROD	1
15.	QDH136	3600 DUST HOOD MOUNT POST	2
16.	SDH117 (SDH120)	3600 & #4800 DUST HOOD FEEDER LH(RH)	1
17.	SFA302	K-M/C ASP FEEDER FEED CONTROL ROD 25Inch	1
18.	QDH209 (QDH208)	3600/4800 LH DH AUTOMATED FEEDER (RH) GATE	1
19.	ZDH152	LED DUST HOOD LIGHT 3Light-NOT SHOWN	1
20.	QDH333 (QDH332)	3600LH CORDRUA MINIHOOD BOOT-NOT SHOWN(RH)	1

11. 3600 ASP FEEDER (RH SHOWN)



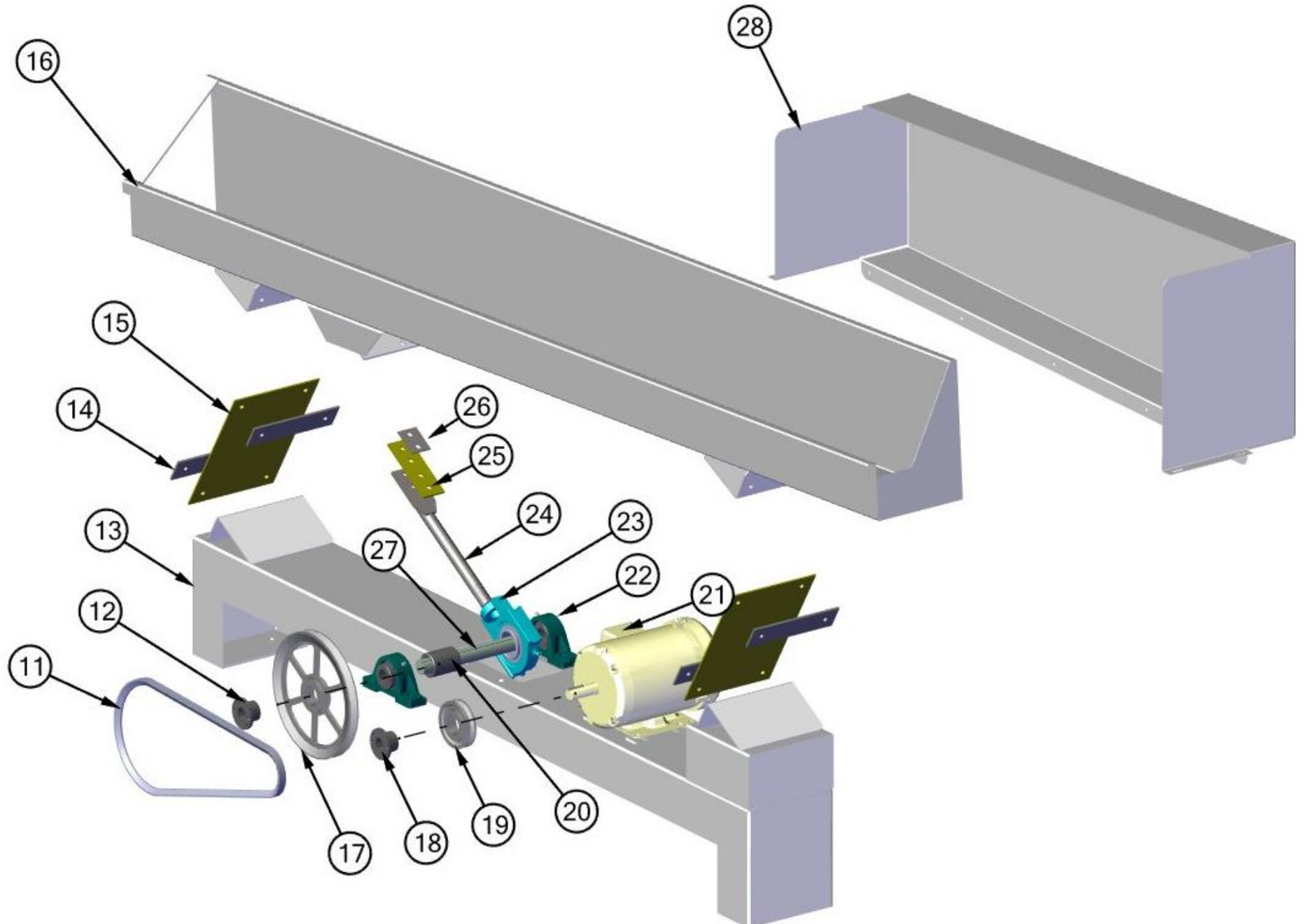
ITEM NO	PART NUMBER	DESCRIPTION	QTY
11.	QDH001(QDH002)	#3600 LH DUST HOOD COMPLETE(RH)	1
12.	SFA219(SFA220)	M/C ASP FEEDER TRAY ASSEMBLY LH(RH)	1
13.	SFA302	K-M/C ASP FEEDER FEED CONTROL ROD 25Inch	1
14.	ZBF003	PLASTIC KNOB WITH RECIPROCAL HANDLE	1
15.	ZNT957	1/2Inch HEAVY HEX JAM NUT ZINC	2
16.	QFA101	3600 ASP FEEDER MOUNTING FRAME	1
17.	SFA239	M/C ASP FEEDER AIR CONTROL SLIDE	1
18.	SFA101(102)	MAXI-CAP FEEDER HOPPER LH(RH)	1

12. 3600 DIS.HOPPER



ITEM NO	PART NUMBER	DESCRIPTION	QTY
11.	SCD200	M/C DIS. HOPPER MOUNT SET	1
12.	SCD111	SQUARE TO ROUND TRANSITION 4Inch	2
13.	SCD110	SQUARE TO ROUND TRANSITION 6Inch	1
14.	QCD021	#3600 LH DISCHARGE HOPPER	1

13. 3600 BLENDER



13. 3600 BLENDER

ITEM NO	PART NUMBER	DESCRIPTION	QTY
11.	ZDK251	B51 BELT	1
12.	ZBK374	H BUSHING 1 3/16Inch	1
13.	QBP200	3600 BLENDER BASE RH OR LH	1
14.	SBP601	K-M/C BLENDER SCOTCHPLY BACKING PLATE	4
15.	ZFG155	SCOTCHPLY 8Inch X 12Inch - .130Inch	2
16.	SBP099(SBP100)	3600 M/C BLENDER TROUGH LH (RH)	1
17.	ZBK810	BK100H SHEAVE -H BUSHING REQD	1
18.	ZBK370	H BUSHING 7/8Inch	1
19.	ZBK805	BK36H SHEAVE -H BUSHING REQD	1
20.	UEC500	H/C STONER HEART 1/8Inch complete	1
21.	ZMT010	1HP 230/460/3/60 143T E-MOTOR	1
22.	ZBG118	1 3/16Inch PILLOW BLOCK BEARING-LOK	2
23.	ZBG230	1 15/16Inch TAKE UP UNIT BRG	1
24.	SEC401	K-BLENDER ECC PUSH ROD	1
25.	ZFG130	SCOTCHPLY - 2Inch X 5 1/2Inch - .195Inch	1
26.	SSB102	K-M/C SCOTCHPLY BACK PLATE 1 1/2 X 2 1/4	2
27.	HBP040	K-PB ECCENTRIC SHAFT 9Inch LONG	1
28.	SBP499(SBP500)	M/C BLENDER GUARD LH(RH)	1

50 CYCLE		
ITEM NO	PART NUMBER	DESCRIPTION
11.	ZBK251	B51 BELT
12.	ZBK374	H BUSHING 1 3/16Inch
17.	ZBK810	BK100H SHEAVE (H BUSHING REQD)
18.	ZBK370	H BUSHING 7/8Inch
19.	ZBK804	BK45H SHEAVE (H BUSHING REQD)

14.HYDRAULIC SYSTEM

ITEM NO	PART NUMBER	DESCRIPTION	QTY
11.	ZHY110	HYDRAULIC 7 SECTION VALVE	1
12.	ZHY150	HYDRAULIC FILTER HEAD	1
13.	ZHY151	HYDRAULIC FILTER REPLACEMENT CARTRIDGE	1
14.	ZHY102	HYDRAULIC MOTOR ONLY	1
15.	ZHY101	HYDRAULIC PUMP ONLY	1
16.	ZHY140	HYDRAULIC CYLINDER - 2 X 6	5
17.	ZHY130	HYDRAULIC CYLINDER 2 X 4	2
18.	ZHY120	HYDRAULIC CHECK VALVE	1
19.	ZHY285	HYDRAULIC FITTING 1/4" TEE	2
	ZHY286	HYDRAULIC FITTING 1/4" CLOSE NIPPLE	2
20.	ZHY281	3/8" X 90 STREET ELBOW	2
21.	ZHY260	ADAPTER 9205 - 4 X 4	16
	ZHY230	ADAPTER 9315 - 6 X 4	14
	ZHY240	ADAPTER 9205 - 4 X 6	24
	ZHY250	ADAPTER 9205 - 6 X 6	2
22.	ZHY200	HYDRAULIC FITTING 04U-104	48
	ZHY210	HYDRAULIC FITTING 06U-106	2
	ZHY215	HYDRAULIC FITTING 06U-104	2
	ZHY220	HYDRAULIC FITTING 06U-R66	2
23.	ZHY271	MAXI-CAP FLOW RESTRICTER	2