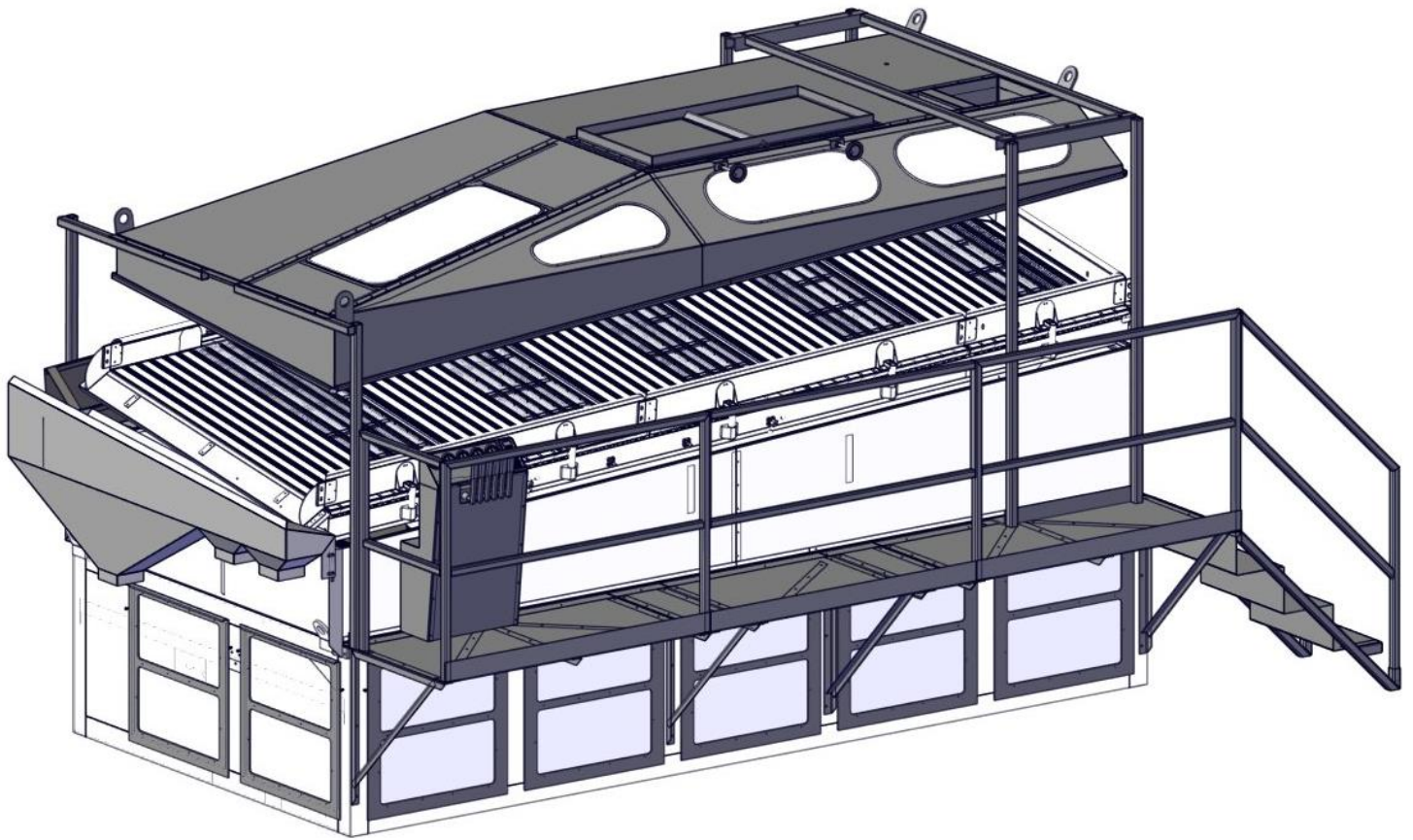


4800 Maxi - Cap Plain Gravity

Parts Manual



Oliver[™]
Innovate. Build. Repeat.

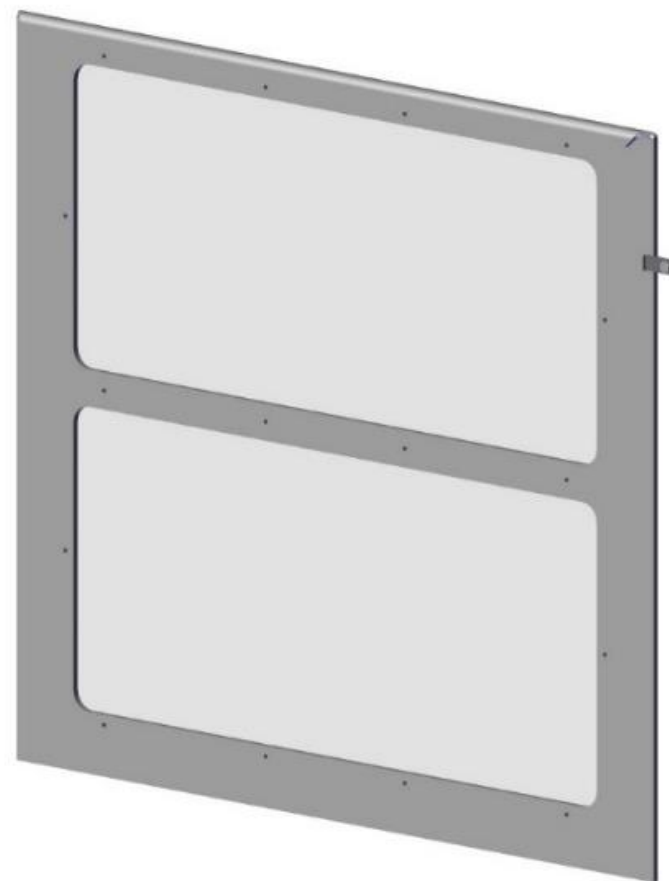
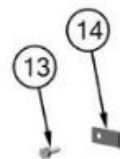
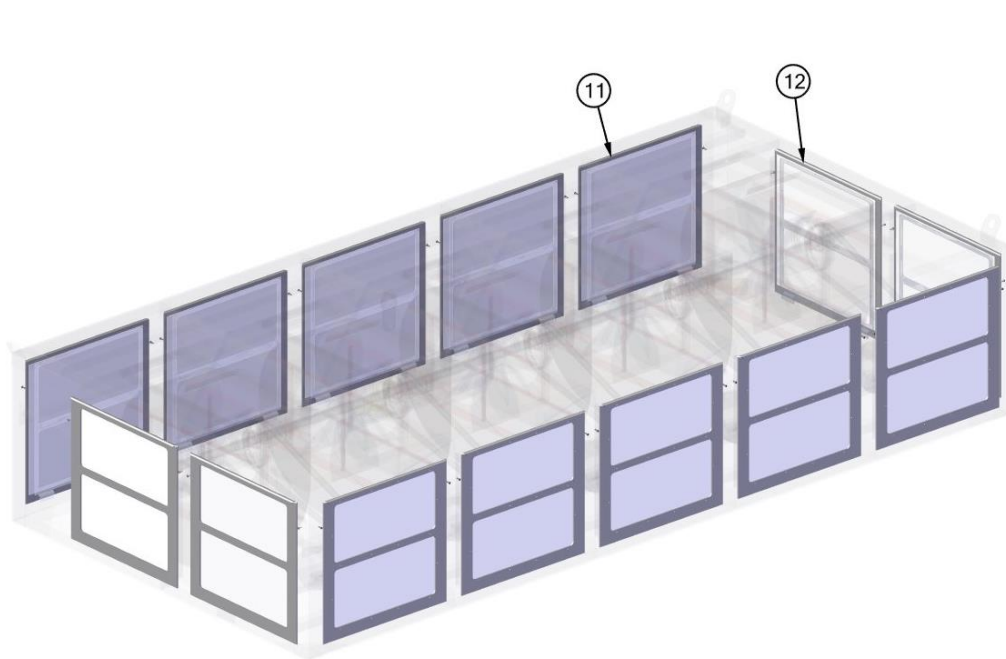
Contact Information:

Main Office and Production
27151 Harris Road
La Junta, CO 81050

Phone: 719-383-9880 | USA TOLL # 1-888-254-7813

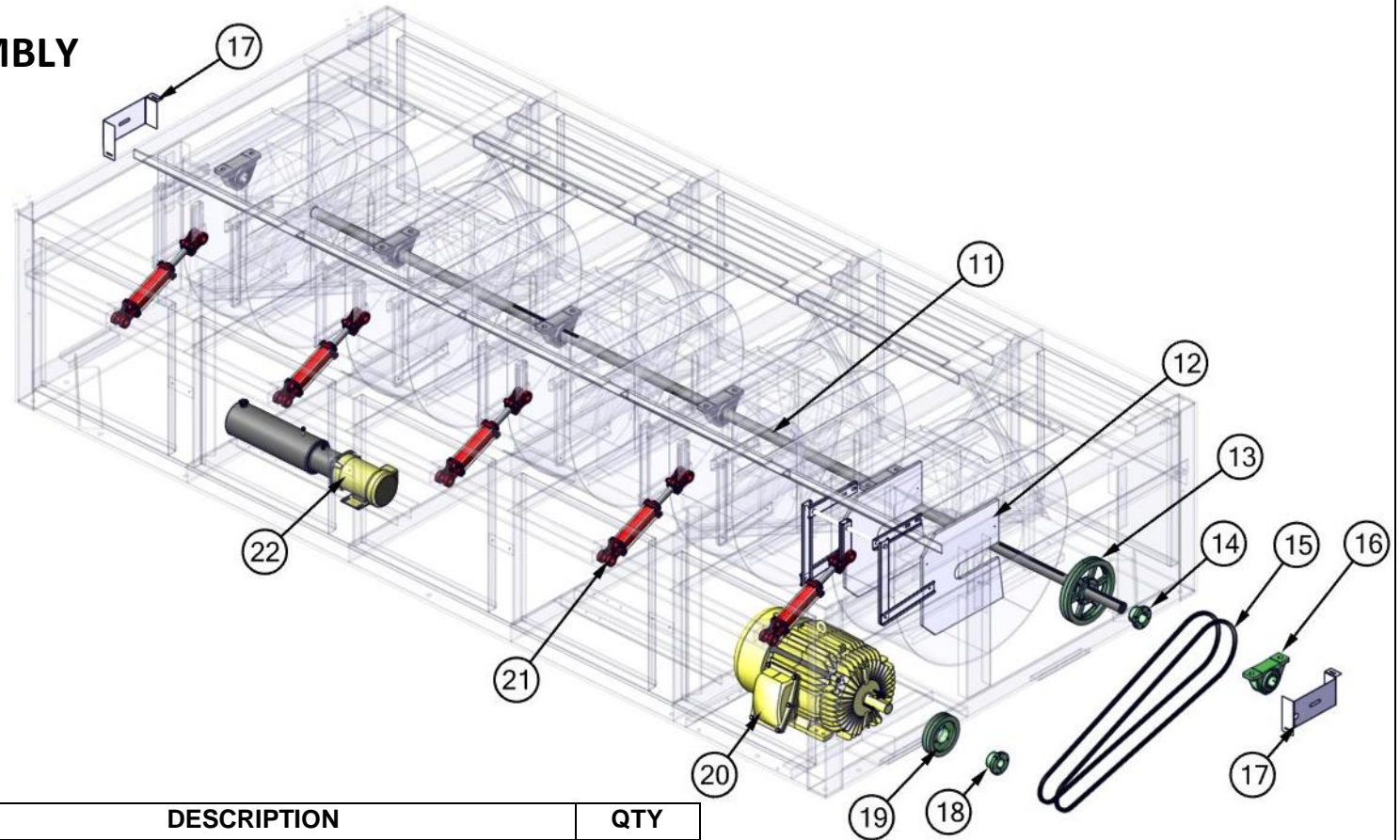
INTERNATIONAL +1.719.254.7813

1. 4800 FLUSH FILTER ASSEMBLY



ITEM NO	PART NUMBER	DESCRIPTION	QTY
11.	SAF003	M/C FLUSH FILTER COMPLETE	10
12.	SAF003	M/C FLUSH FILTER COMPLETE	4
13.	ZBT382	1/4Inch X 3/4Inch HEX CAP SCREW SAE	28
14.	AAAAF1011000	K-VOYAGER FLUSH FILTER CLAMP	28

2. 4800 BLOWER ASSEMBLY

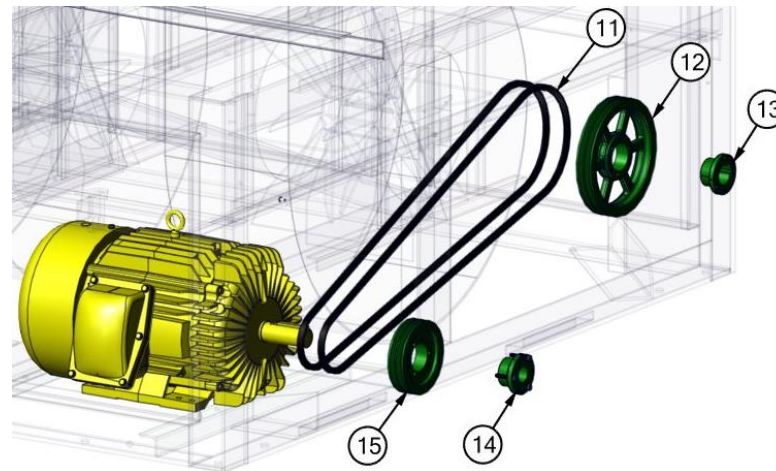


ITEM NO	PART NUMBER	DESCRIPTION	QTY
11.	RBF100	#3600 FAN SHAFT	1
12.	SBF310	MAXI-CAP FAN GATE	10
13.	ZBK920	2 GRV 5V 11.30SK QD SHEAVE	1
14.	ZBK990	SK BUSHING 2Inch	1
15.	ZBK205	ZBK205 5VX1000 BELT	2
16.	ZBG220	2Inch PILLOW BLOCK BRG	2
17.	SBF515	K-3600 MAXI-CAP FAN SHAFT END GUARDS	2
18.	ZBK982	SK BUSHING 1 5/8Inch	1
19.	ZBK932	2 GRV 5V 7.10SK QD SHEAVE	1
20.	ZMT251	25HP 230/460/3/60 E-MOTOR	1
21.	ZHY140	HYDRAULIC CYLINDERS 2 X 6	5
22.	ZHY102	HYDRAULIC PUMP MOTOR ONLY 1/2HP 230/460	1
23.	ZHY101	HYDRAULIC PUMP ONLY (USE WITH 1/2HP)	1

2.1. 4800 BLOWER ASSEMBLY

60 CYCLE "A" DRIVE		
ITEM NO	PART NUMBER	DESCRIPTION
11.	ZBK205	5VX1000 BELT
12.	ZBK920	2 GRV 5V 11.30SK QD SHEAVE
13.	ZBK990	SK BUSHING 2Inch
14.	ZBK910	2 GRV 5V 5.90SDS QD SHEAVE
15.	ZBK985	SDS BUSHING 1 7/8Inch

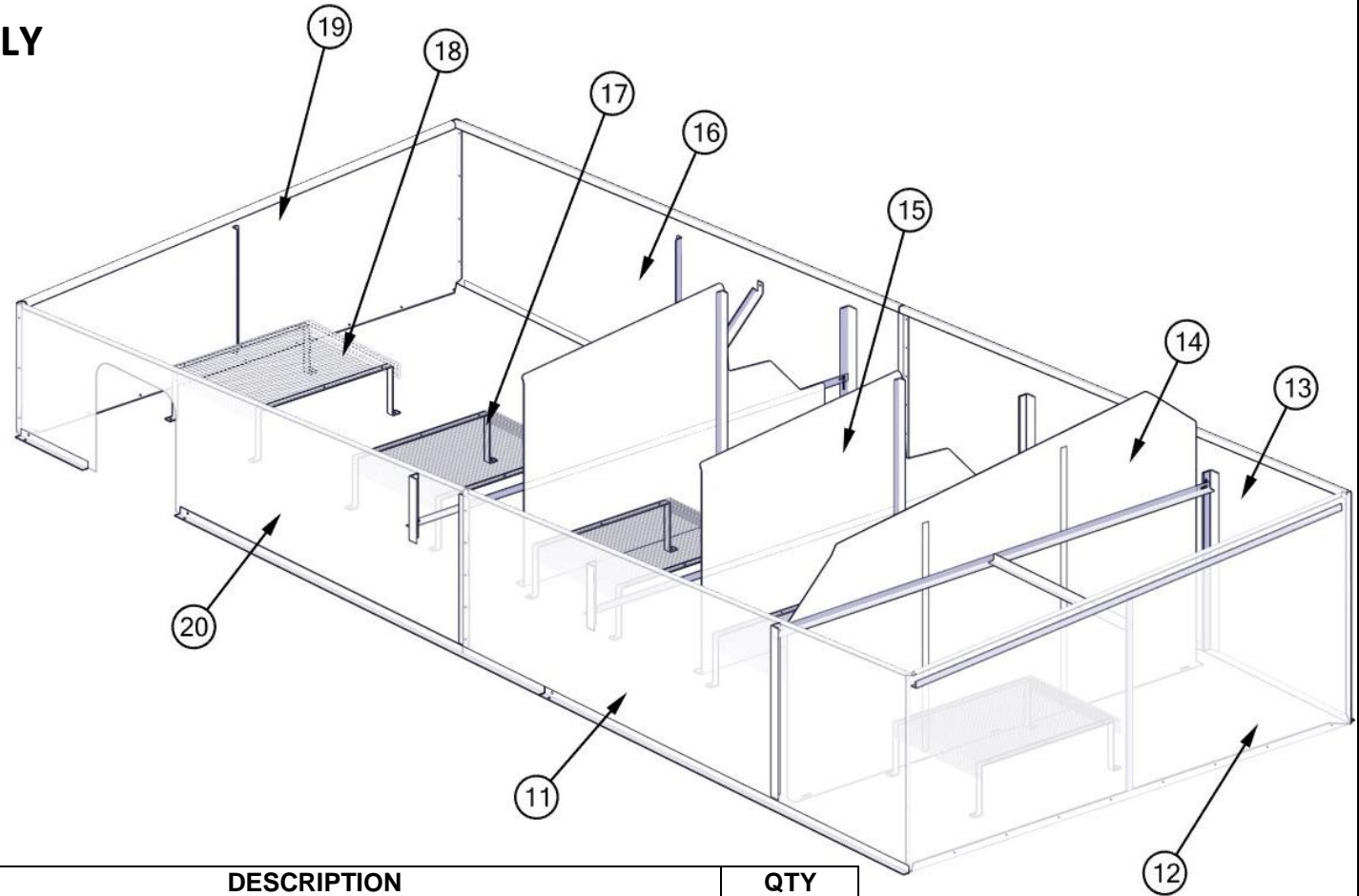
60 CYCLE "B" DRIVE		
ITEM	PART NUMBER	DESCRIPTION
11.	ZBK200	5VX950 BELT
12.	ZBK925	2 GRV 5V 15.00SF QD SHEAVE
13.	ZBK995	SF BUSHING 2Inch
14.	ZBK985	SDS BUSHING 1 7/8Inch
15.	ZBK935	2 GRV 5V 4.90SDS QD SHEAVE



50 CYCLE "A" DRIVE		
ITEM NO	PART NUMBER	DESCRIPTION
11.	ZBK205	5VX1000 BELT
12.	ZBK920	2 GRV 5V 11.30SK QD SHEAVE
13.	ZBK990	SK BUSHING 2Inch
14.	ZBK982	SK BUSHING 1 5/8Inch
15.	ZBK932	2 GRV 5V 7.10SK QD SHEAVE

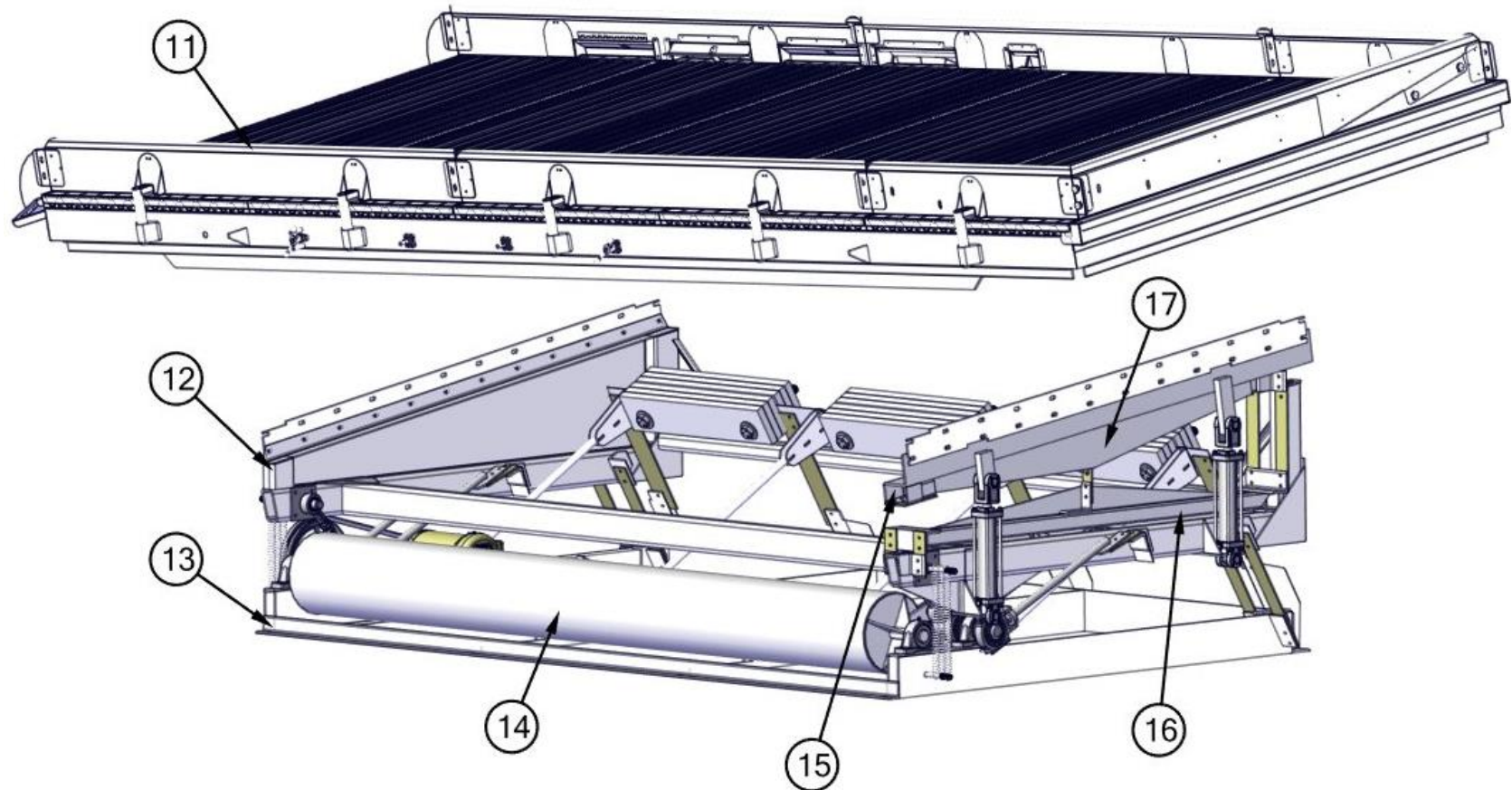
50 CYCLE "B" DRIVE		
ITEM NO	PART NUMBER	DESCRIPTION
11.	ZBK200	5VX950 BELT
12.	ZBK925	2 GRV 5V 15.00SF QD SHEAVE
13.	ZBK995	SF BUSHING 2Inch
14.	ZBK980	SDS BUSHING 1 5/8Inch
15.	ZBK910	2 GRV 5V 5.90SDS QD SHEAVE

3. 4800 AIRCHEST ASSEMBLY



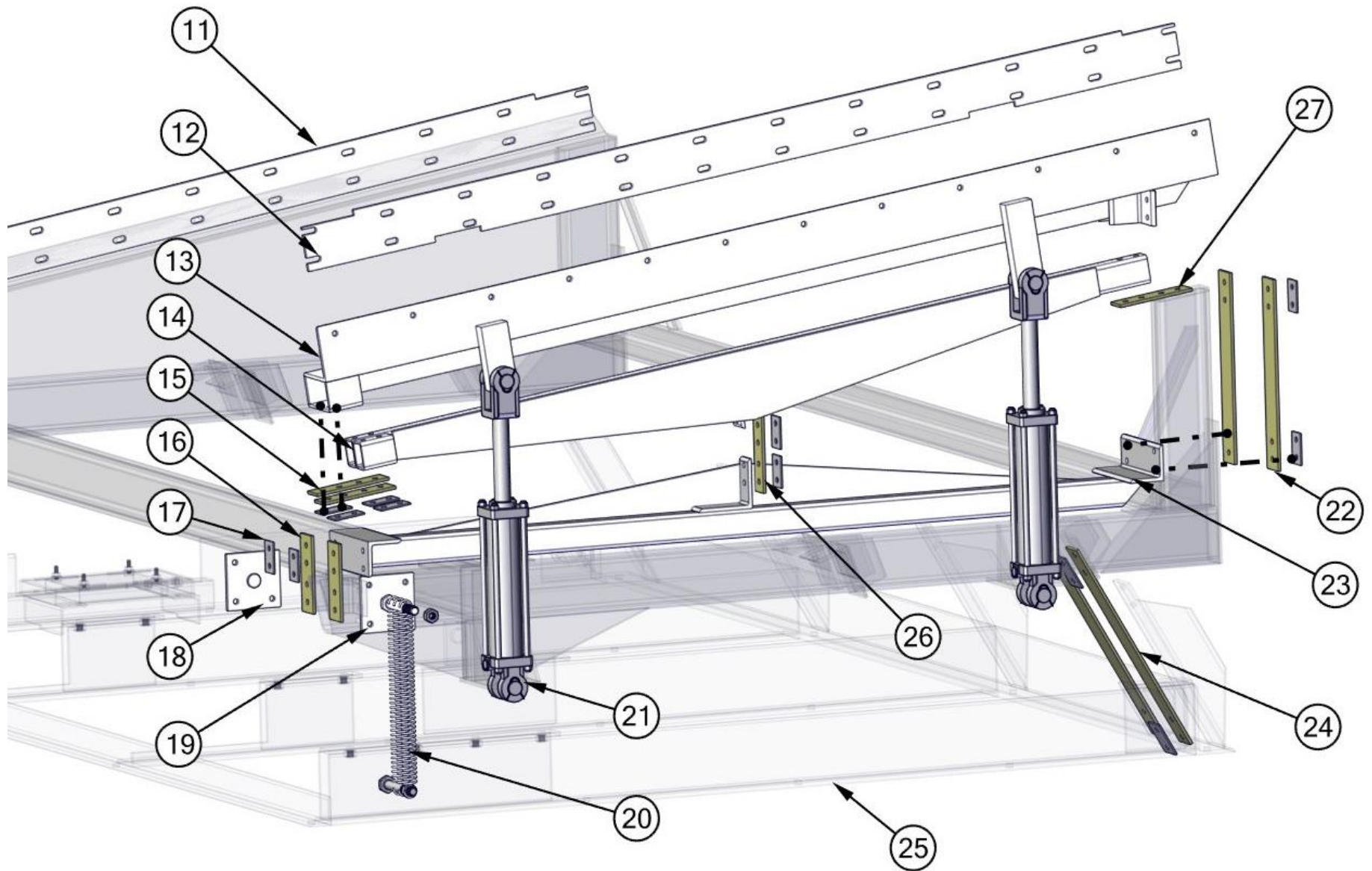
ITEM NO	PART NUMBER	DESCRIPTION	QTY
11.	RAC109(RAC110)	#4800 LH A/C LOW SIDE FEED QTR PANEL (RH)	1
12.	RAC149(RAC150)	#4800 LH A/C FEED END PANEL (RH)	1
13.	RAC139(RAC140)	#4800 LH A/C HIGH SIDE FEED QTR PANEL (RH)	1
14.	RAC209(RAC210)	4800 A/C DIVIDER PANEL FEED END (RH)	1
15.	RAC223(RAC224)	#4800 LH A/C DIVIDER CENTER PANEL (RH)	2
16.	RAC129(RAC130)	#4800 LH A/C HIGH SIDE DIS QTR PANEL (RH)	1
17.	SBF501	K-M/C AIR BAFFLE BRACKET	8
18.	SBF503	K-M/C AIR BAFFLE 18Inch	4
19.	RAC119(RAC120)	#4800 LH A/C DISCHARGE END PANEL (RH)	1
20.	RAC099(RAC100)	#4800 LH A/C LOW SIDE DIS QTR PANEL (RH)	1
21.	RAC340	#4800 CORDURA/DUAL LOCK AIR CHEST BOOT(NOT SHOWN)	1

4. 4800 UPPER SECTION ASSEMBLY



ITEM NO	PART NUMBER	DESCRIPTION	QTY
11.	RDK803(RDK802)	4800 MODULAR CARRIAGE COMPLETE LH (RH)	1
12.	RSB101(RSB102)	#4800 SPRING BOARD ASSEMBLY LH (RH)	1
13.	REC101(REC102)	#4800 ECC BEARING BKT ASSEM LH (RH)	1
14.	REC399(REC400)	4800 TILT TUBE COMPLETE-SINGLE TUBE LH (RH)	1
15.	RSB301(RSB302)	4800 SP BOARD END RAISE TOP SCT LH (RH)	1
16.	RSB211(RSB210)	#4800 SP BOARD STABILIZER LINK LH(RH)	1
17.	RSB221(RSB220)	#4800 SP BOARD POWER TRANSFER LINK LH(RH)	1

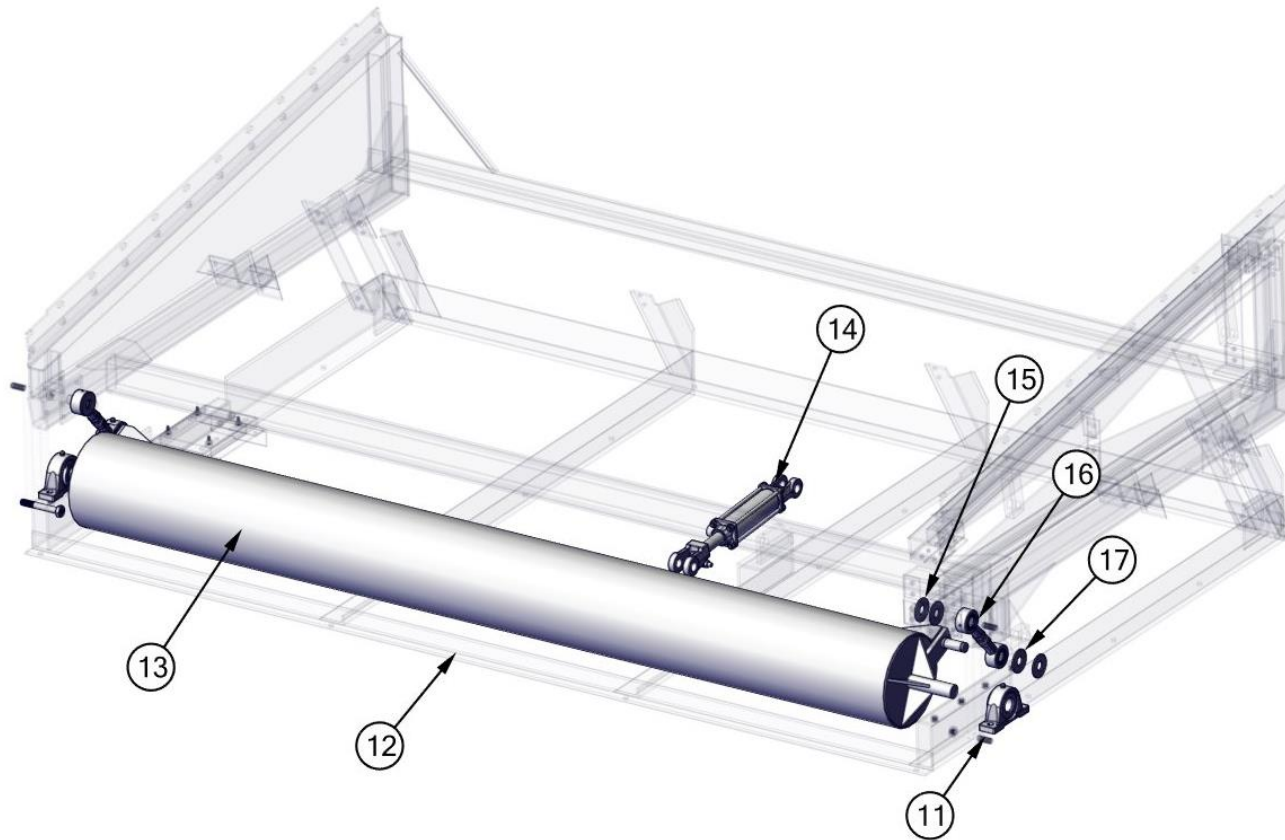
5. MAXI CAP SUSPENSION SYSTEM



5. MAXI CAP SUSPENSION SYSTEM

ITEM NO	PART NUMBER	DESCRIPTION	QTY
11.	RSB350	K-#4800 SPRING BOARD MACHINE PLATE	2
12.	RSB351	K-#4800 HINGE PLATE BACKING STRIP(NOT SHOWN)	2
13.	RSB301(RSB302)	#4800 SP BOARD END RAISE TOP SCT LH (RH)	1
14.	RSB221(RSB220)	#4800 SP BOARD POWER TRANSFER LINK LH(RH)	1
15.	SFG137	SCOTCHPLY 1 3/4 X 5 1/2x .195- OFFSET HOLE	2
16.	ZFG130	SCOTCHPLY - 2Inch X 5 1/2Inch - .195Inch	2
17.	SSB102	K-M/C SCOTCHPLY BACK PLATE 1 1/2 X 2 1/4	8
18.	SSB105	K-M/C SP BOARD TILT LINK MOUNT	2
19.	SSB107	K-M/C SP BOARD LOWER SPRING MOUNT	2
20.	ZSB500	EXTENSION SPRING 12Inch X 1 1/4InchOD	6
21.	ZHY140	HYDRAULIC CYLINDERS 2 X 6	2
22.	ZFG120	SCOTCHPLY - 2Inch X 13 1/2Inch - .195Inc	2
23.	RSB211(RSB210)	#4800 SP BOARD STABILIZER LINK LH (RH)	1
24.	ZFG110	SCOTCHPLY - 2Inch X 16 1/2Inch - .195Inc	4
25.	REC101(REC102)	#4800 ECC BEARING BKT ASSEM LH (RH)	1
26.	SFG138	SCOTCHPLY 1 3/4 X 5 1/2X.195 HOLE OFFSET- CENTER PIVOT	1
27.	SFG136	SCOTCHPLY 1 3/4 X 5 1/2 X.195 HOLE CNTRD	1
28.	SHY341	K-M/C HYDRAULIC CYL BUSHING (UHMW) (NOT SHOWN)	3

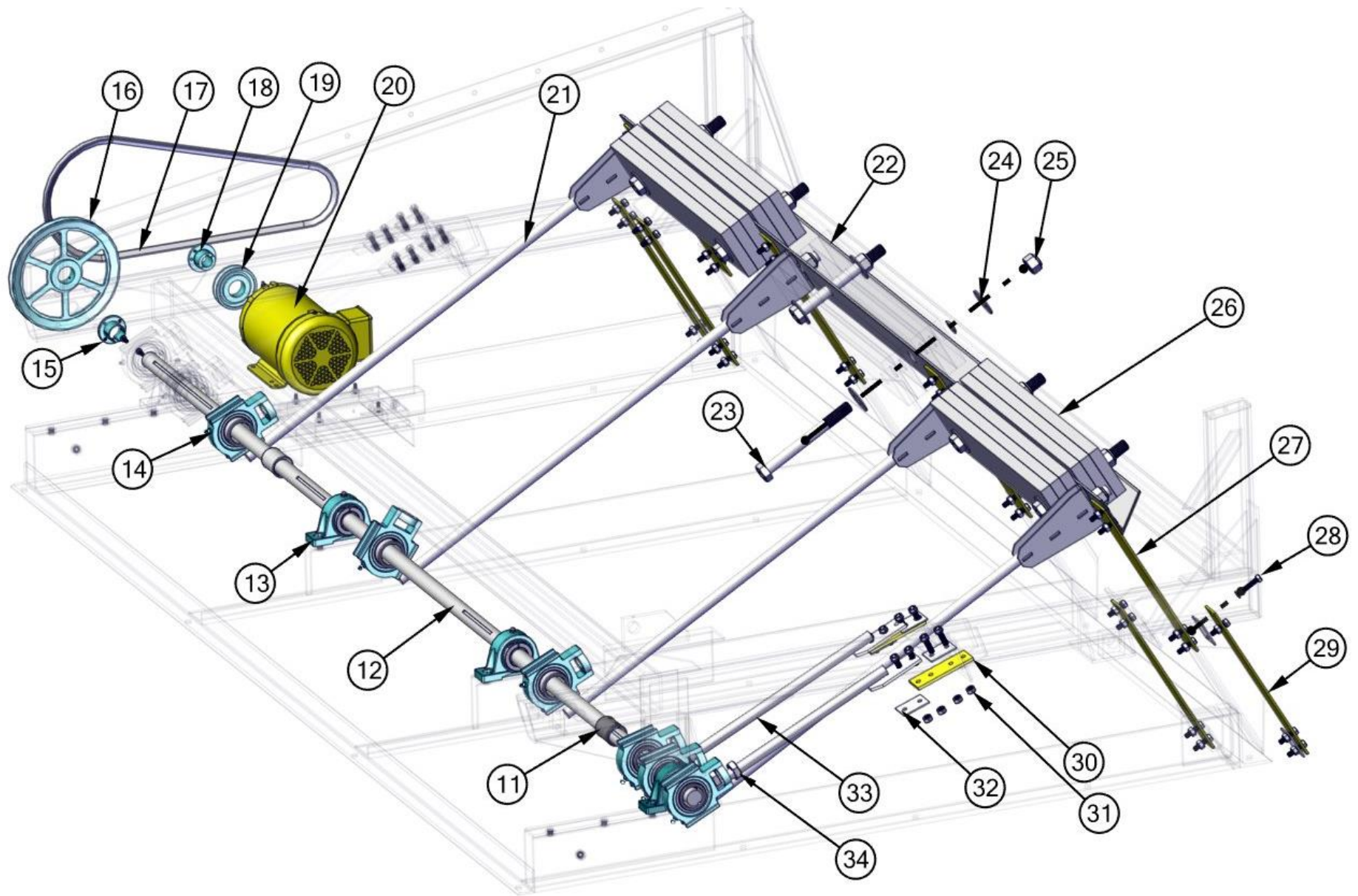
6. 4800 TILT TUBE ASSEMBLY



ITEM NO	PART NUMBER	DESCRIPTION	QTY
11.	ZBG210	1 7/16Inch PILLOW BLOCK BRG – Tilt Tube	2
12.	REC103(REC104)	4800 LH ECC BRG BKT -SINGLE TUBE (RH)	1
13.	REC200	4800 TILT TUBE COMPLETES-SINGLE TUBE	1
14.	ZHY141	HYDRAULIC POSITION CYLINDER 2Inch X 6Inch	1
15.	ZWA950	1Inch USS FLAT WASHER	15
16.	SEC310	MAXI-CAP TILT LINK COMPLETE	2
17.	ZWA306	.062 X 1ID X 2.5 OD HDPE PLASTIC WASHER	32

Note: Machines made after 1996

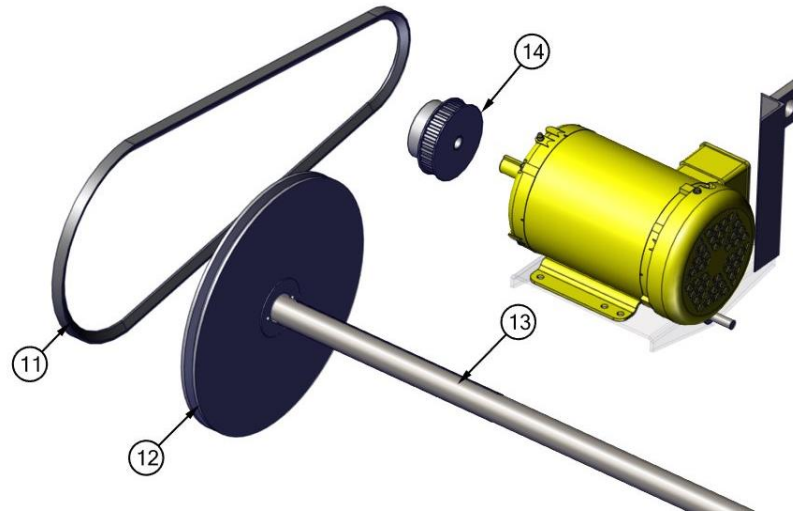
7. 4800 ECCENTRIC ASSEMBLY



7. 4800 ECCENTRIC ASSEMBLY

ITEM NO	PART NUMBER	DESCRIPTION	QTY
11.	SEC350	M/C ECCENTRIC HEART - COMPLETE	8
12.	REC350	4800 ECCENTRIC SHAFT 78Inch – 1 7/16”	1
13.	ZBG211	1 7/16Inch PILLOW BLOCK BRG-SKWZLOK	4
14.	ZBG230	1 15/16Inch TAKE UP UNIT BRG	4
15.	ZBK901	H BUSHING 1 7/16Inch	8
16.	ZBK810	BK100H SHEAVE (H BUSHING REQD)	1
17.	ZBK248	B48 BELT	1
18.	ZBK370	H BUSHING 7/8Inch	1
19.	ZBK805	BK36H SHEAVE (H BUSHING REQD)	1
20.	ZMT005	2HP 230/460/3/60 145T E-MOTOR	1
21.	REC320	#4800 COUNTER WT DRIVE ROD COMPLETE	4
22.	REC299	#4800 LH COUNTERWEIGHT MOUNT ANGLE	1
23.	ZBT620	1Inch X 9Inch HEX CAP SCREW	6
24.	ZWA950	1Inch USS FLAT WASHER	12
25.	ZNT510	1Inch NYLON INSET LOCK NUT	6
26.	REC301	#4800 COUNTERWEIGHT PLATE 1X5-24	21
27.	ZFG100	SCOTCHPLY - 3Inch X 16 1/2Inch - 0.26	4
28.	ZBT434	3/8Inch X 1 1/2Inch HEX CAP SCREW	16
29.	ZFG110	SCOTCHPLY - 2Inch X 16 1/2Inch - .195Inch	4
30.	ZFG130	SCOTCHPLY - 2Inch X 5 1/2Inch - .195Inch	4
31.	ZNT375	3/8Inch NYLON INSERT LOCK NUT	48
32.	SSB102	K-M/C SCOTCHPLY BACK PLATE 1 1/2 X 2 1/4	8
33.	SEC340	K-M/C ECCENTRIC DRIVE ROD COMPLETE	4
34.	ZNT900	1Inch HEX JAM NUT	16

7.1. 4800 ECCENTRIC VARISPEED ASSEMBLY



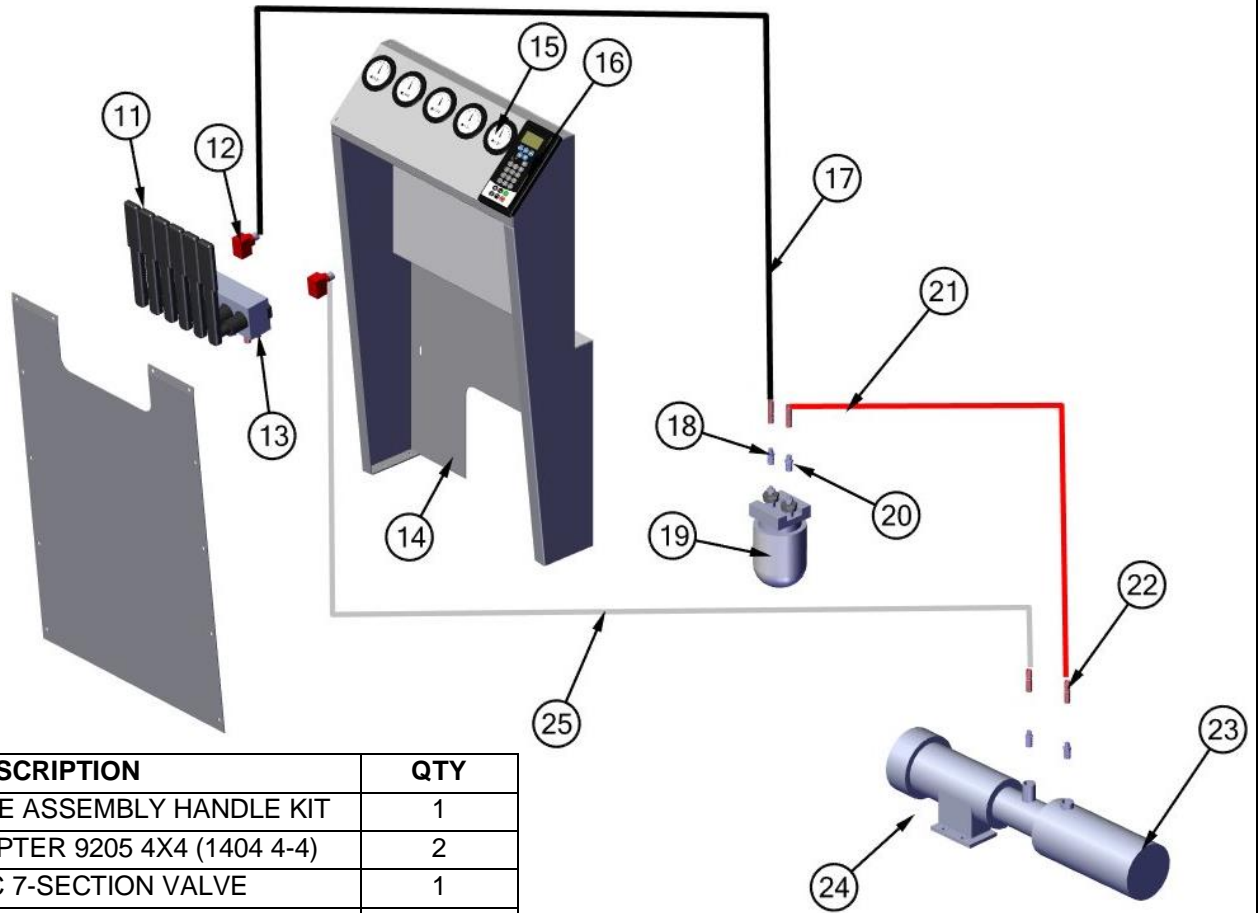
60 CYCLE

ITEM NO	PART NUMBER	DESCRIPTION
11.	ZBK255	B55 BELT
12.	ZBK900	BK140H SHEAVE (H BUSHING REQD)
13.	REC350	ECCENTRIC SHAFT
14.	ZVS203	BK140H SHEAVE (H BUSHING REQD)

50 CYCLE

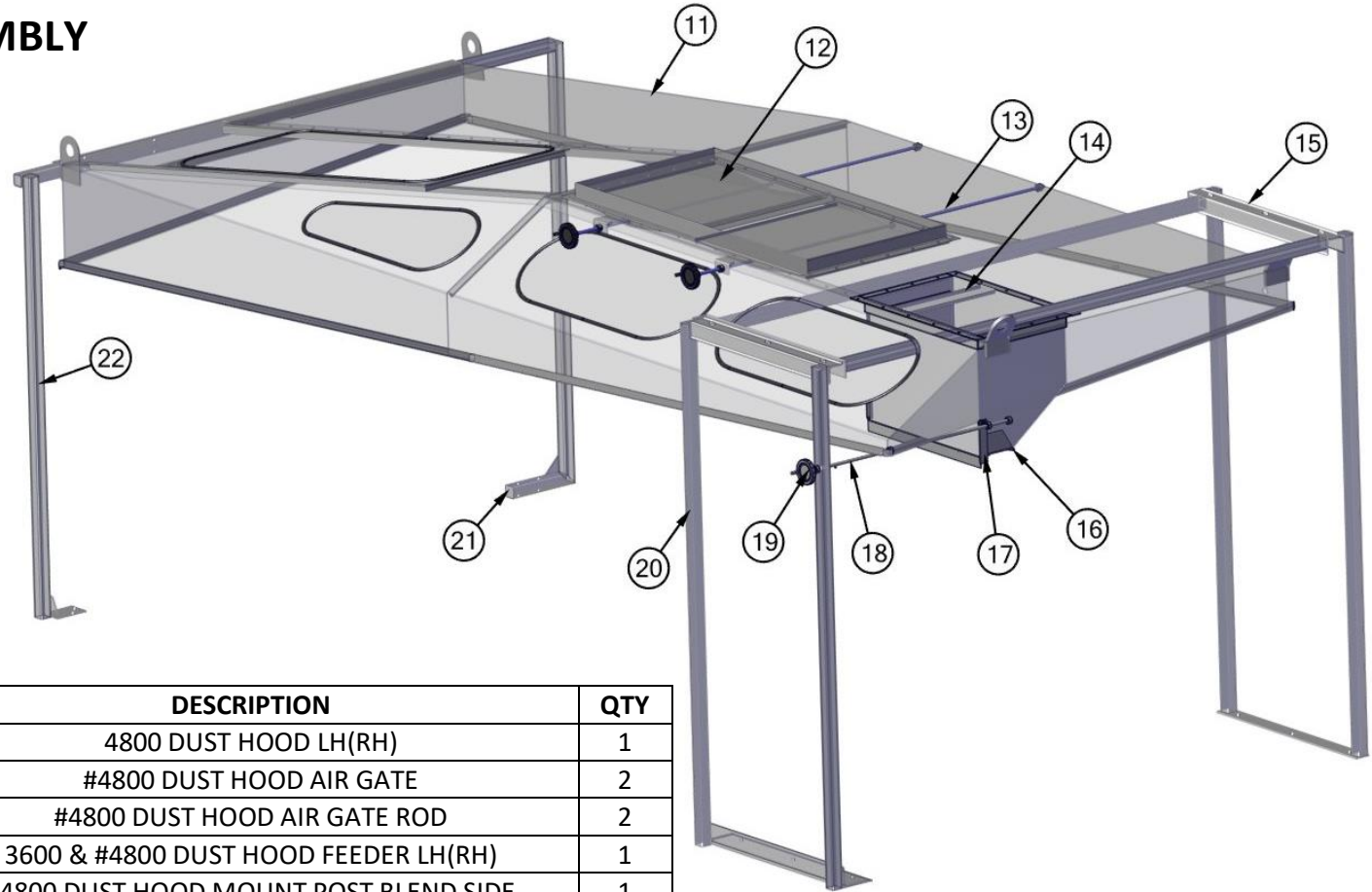
ITEM NO	PART NUMBER	DESCRIPTION
11.	ZBK251	B51 BELT
12.	ZBK902	BK120H SHEAVE (H BUSHING REQD)
13.	REC350	ECCENTRIC SHAFT
14.	SVS214	M/C VARISPEED PULLEY (6500) 4Inch X 24MM
15.	ZBK901	H BUSHING 1 7/16 INCH

8. 4800 CONSOLE



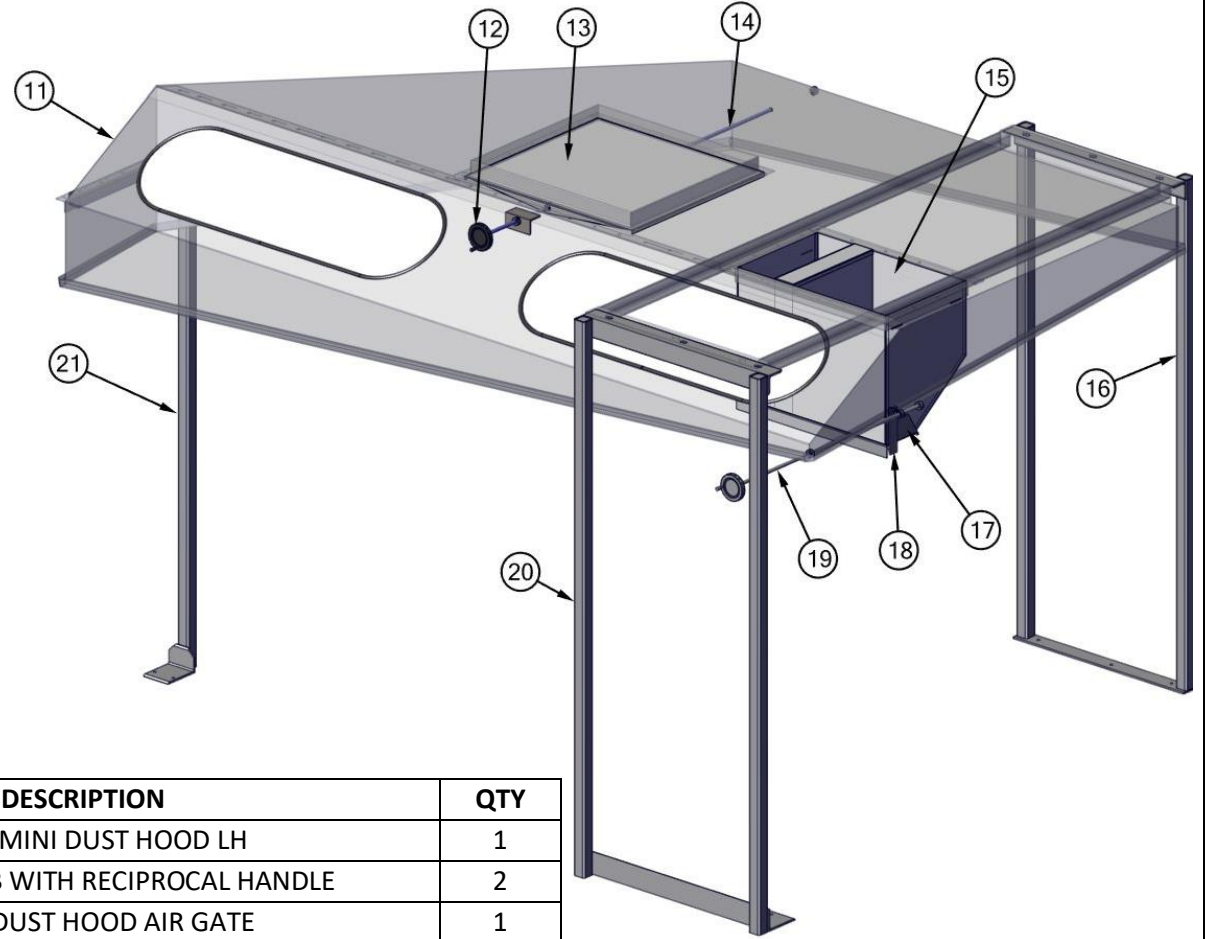
ITEM NO	PART NUMBER	DESCRIPTION	QTY
11.	ZHY117	HYDRAULIC VALVE ASSEMBLY HANDLE KIT	1
12.	ZHY260	HYDRAULIC ADAPTER 9205 4X4 (1404 4-4)	2
13.	ZHY110	HYDRAULIC 7-SECTION VALVE	1
14.	QHY002	#3600/1205 HYD OPERATOR CONSOLE	1
15.	ZVS231	AIR INDICATOR GAGE 2-5001 (Low)	5
16.	ZVS194	AC INVERTER REMOTE KIT (AB-22-HIM-C2S)	1
17.	ZHY300	HYDRAULIC 1/4Inch HOSE (4C1T/4G1)	8.80 FT
18.	ZHY240	HYDRAULIC ADAPTER 9205 4X6 (1404 6-4)	23
19.	ZHY151	HYDRAULIC FILTER ELEMENT	1
20.	ZHY250	HYDRAULIC ADAPTER 9205 6X6 (1404 6-6)	2
21.	SHY382	M/C PUMP FILTER RETURN 3/8Inch HOSE 4.5F	1
22.	ZHY230	HYDRAULIC ADAPTER 9315 6X4 (6900 6-4)	20
23.	ZHY101	HYDRAULIC PUMP ONLY (USE WITH 1/2HP)	1
24.	ZHY102	HYDRAULIC PUMP MOTOR ONLY 1/2HP	1
25.	SHY381	M/C PUMP VALVE 3/8Inch HOSE 7FT	1

9. 4800 DUSTHOOD ASSEMBLY



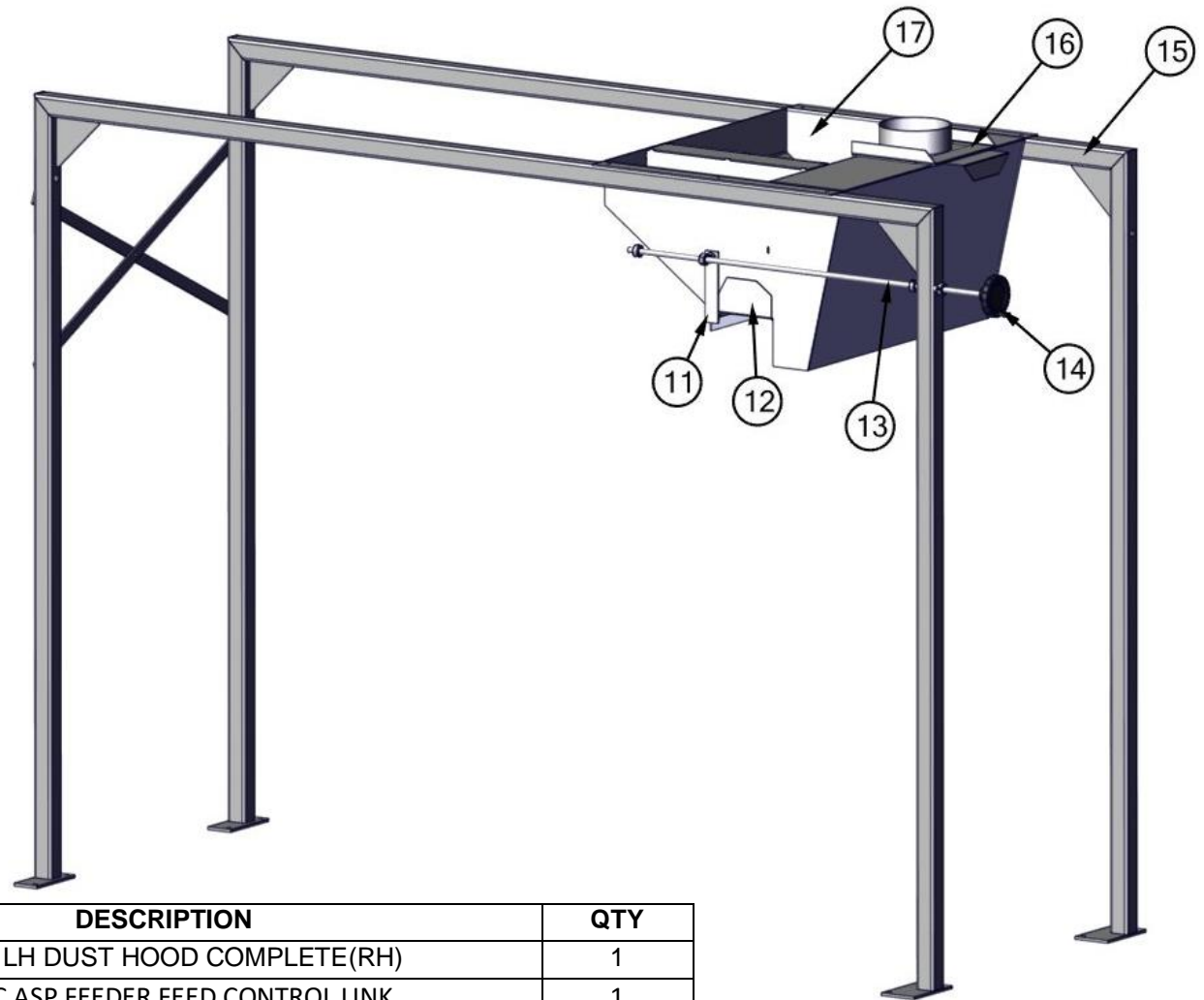
ITEM NO	PART NUMBER	DESCRIPTION	QTY
11.	RDH101(RDH102)	4800 DUST HOOD LH(RH)	1
12.	RDH140	#4800 DUST HOOD AIR GATE	2
13.	RDH142	#4800 DUST HOOD AIR GATE ROD	2
14.	SDH117(SDH120)	3600 & #4800 DUST HOOD FEEDER LH(RH)	1
15.	RDH130	#4800 DUST HOOD MOUNT POST BLEND SIDE	1
16.	SDH025 (SDH020)	#3600 & #4800 DUST HOOD FEED TRAY LH(RH)	1
17.	SAF330	K-M/C ASP FEEDER FEED CONTROL LINK	1
	ZNT957	1/2Inch HEAVY HEX JAM NUT ZINC (W/ ITEM17)	2
	ZNT775	1/2 INCH COLLAR (W/ITEM 17)	4
18.	SDH022	K-#4800 DUST HOOD FEED CONTROL ROD	1
19.	ZBF003	PLASTIC KNOB WITH RECIPROCAL HANDLE	3
20.	RDH136	#4800 DUST HOOD MOUNT POST	1
21.	RDH135(RDH134)	#4800 LH DUST HOOD DISCH END MT POST(RH)	1
22.	RDH133	4800 LH FULL DH DC POST CONTROL SIDE	1
23.	RDH321(RDH320)	4800 LH CORDURA DH BOOT(RH)-NOT SHOWN	1

10. 4800 MINI HOOD



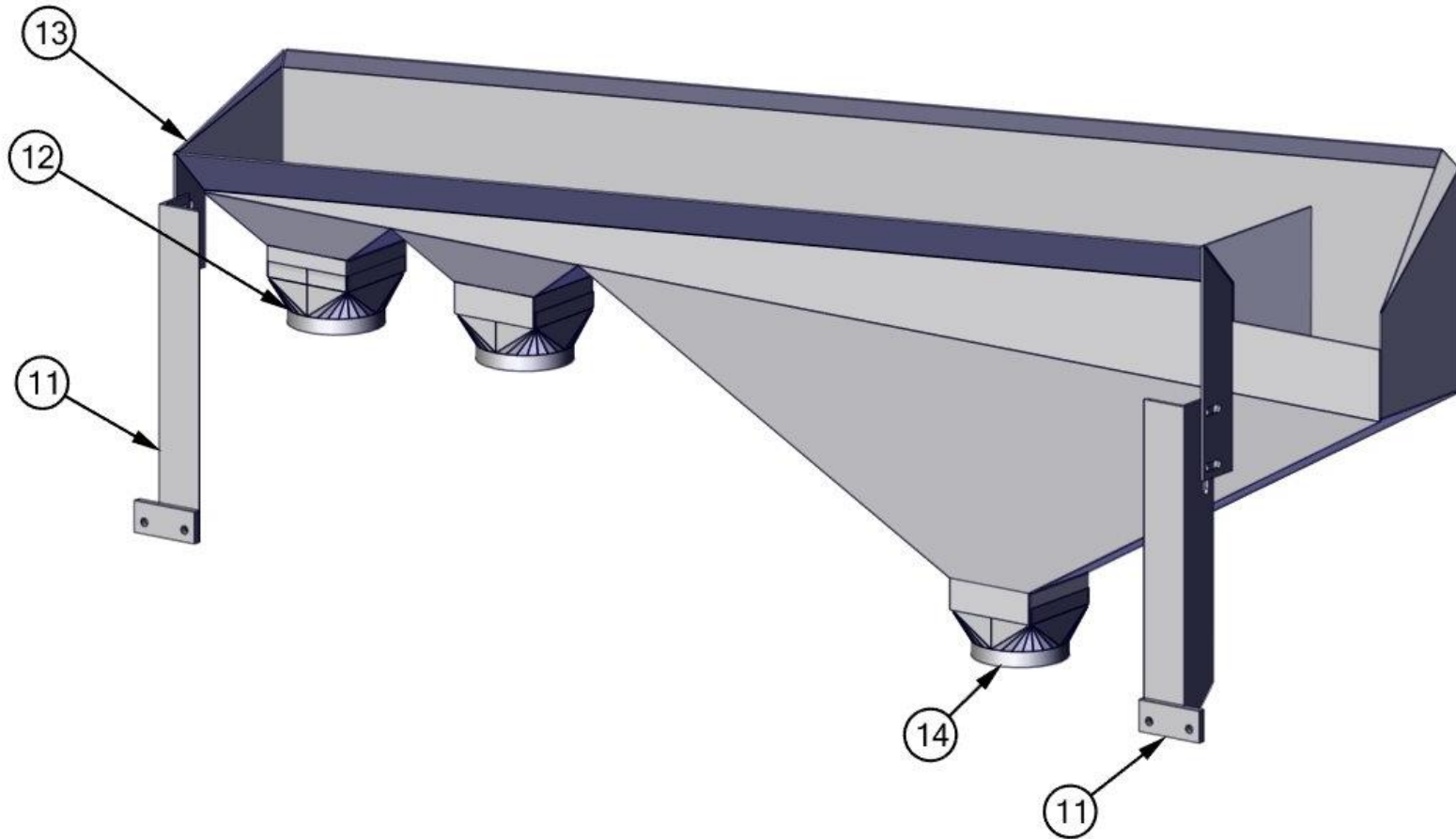
ITEM NO	PART NUMBER	DESCRIPTION	QTY
11.	RDH103 (RDH104)	#4800 MINI DUST HOOD LH	1
12.	ZBF003	PLASTIC KNOB WITH RECIPROCAL HANDLE	2
13.	RDH141	#4800 DUST HOOD AIR GATE	1
14.	RDH142	#4800 DUST HOOD AIR GATE ROD	1
15.	SDH117 (SDH120)	3600 & #4800 DUST HOOD FEEDER LH(RH)	1
16.	RDH136	3600 DUST HOOD MOUNT POST	2
17.	SDH025 (SDH020)	#3600 & #4800 DUST HOOD FEED TRAY LH(RH)	1
18.	SAF330	K-M/C ASP FEEDER FEED CONTROL LINK	1
19.	SDH022	K-#4800 DUST HOOD FEED CONTROL ROD	1
20.	RDH130	#4800 DUST HOOD MOUNT POST BLEND SIDE	1
21.	RDH131	#4800 MINI DH DISCH END MT POST	1
22.	QDH333 (QDH332)	3600LH CORDRUA MINIHOOD BOOT-NOT SHOWN(RH)	1

11. 4800 ASP FEEDER



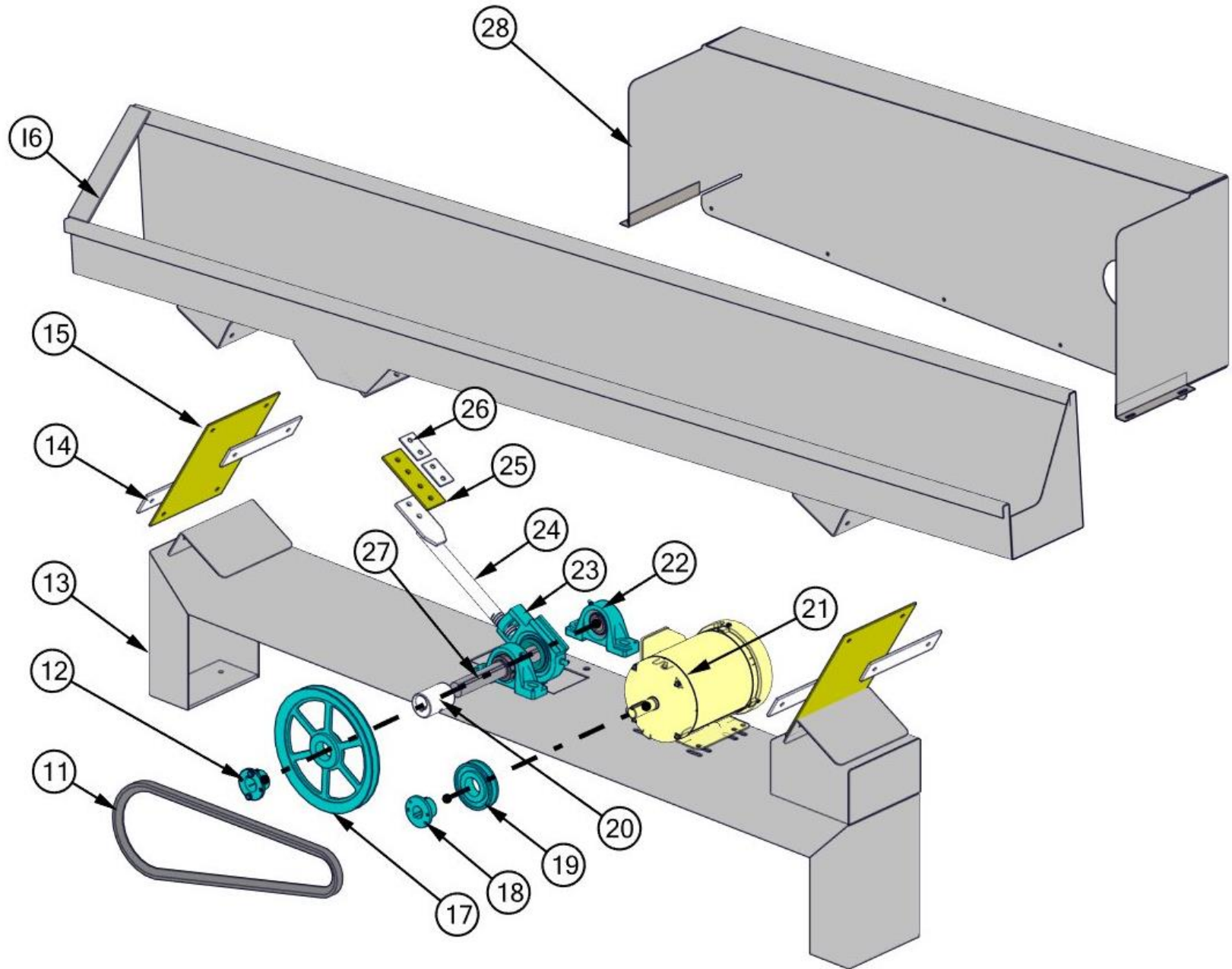
ITEM NO	PART NUMBER	DESCRIPTION	QTY
10.	RFA001(RFA002)	#4800 LH DUST HOOD COMPLETE(RH)	1
11.	SAF330	K-M/C ASP FEEDER FEED CONTROL LINK	1
12.	SFA219(SFA220)	M/C ASP FEEDER TRAY ASSEMBLY LH(RH)	1
13.	SFA302	K-M/C ASP FEEDER FEED CONTROL ROD 25Inch	1
14.	ZBF003	PLASTIC KNOB WITH RECIPROCAL HANDLE	1
15.	RFA099	4800 ASP FEEDER MOUNTING FRAME	1
16.	SFA239	M/C ASP FEEDER AIR CONTROL SLIDE	1
17.	SFA101(102)	MAXI-CAP FEEDER HOPPER LH(RH)	1

12. 4800 DIS.HOPPER



ITEM NO	PART NUMBER	DESCRIPTION	QTY
11.	SCD200	M/C DIS. HOPPER MOUNT SET	1
12.	SCD111	SQUARE TO ROUND TRANSITION 4Inch	2
13.	RCD021	#4800 LH DISCHARGE HOPPER	1
14.	SCD110	SQUARE TO ROUND TRANSITION 6Inch	1

13. 4800 BLENDER



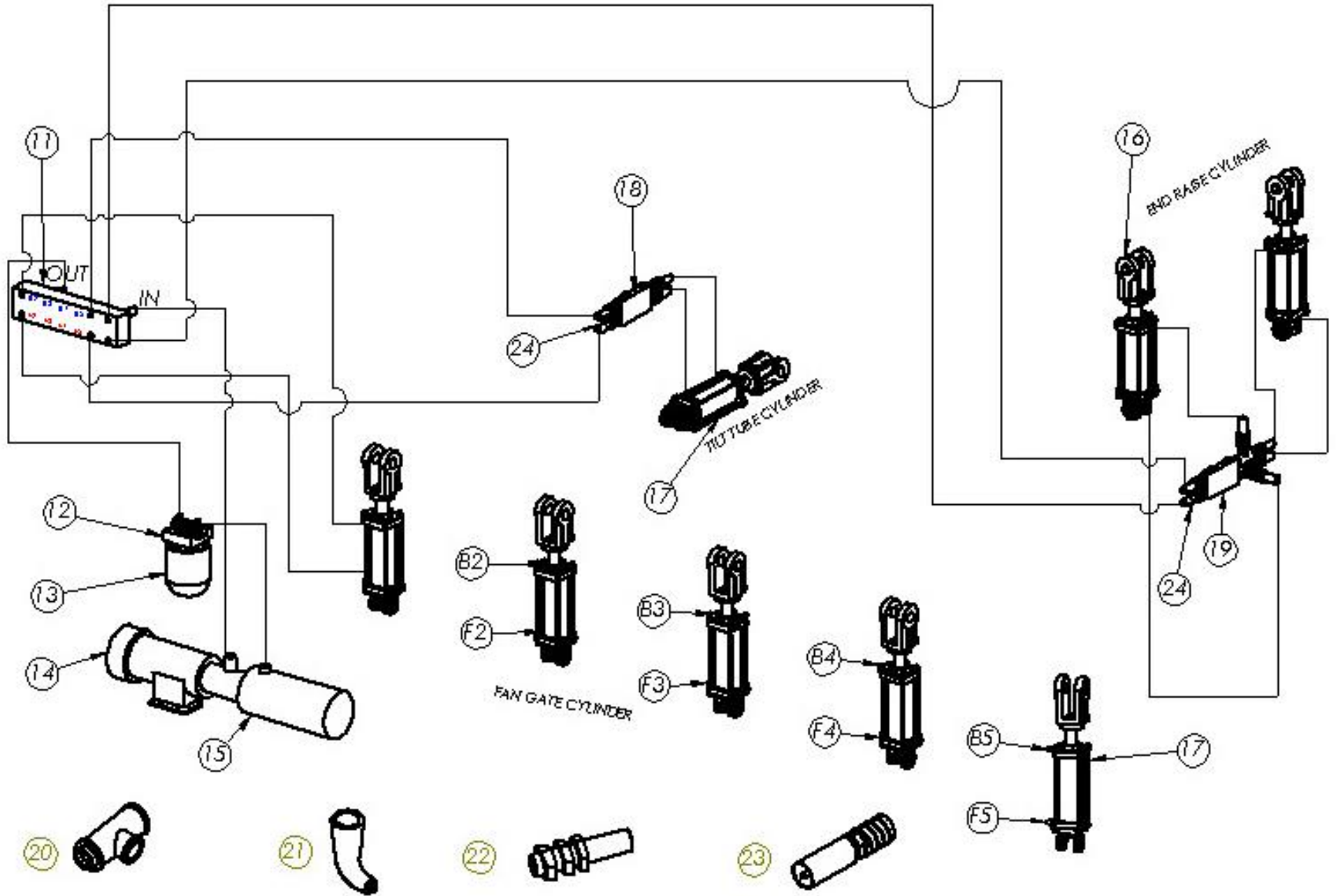
13. 4800 BLENDER

ITEM NO	PART NUMBER	DESCRIPTION	QTY
11.	ZDK251	B51 BELT	1
12.	ZBK374	H BUSHING 1 3/16Inch	1
13.	RBP200	#4800 BLENDER BASE RH OR LH	1
14.	SBP601	K-M/C BLENDER SCOTCHPLY BACKING PLATE	4
15.	ZFG155	SCOTCHPLY 8Inch X 12Inch - .130Inch	2
16.	SBP099(SBP100)	M/C BLENDER TROUGH LH (3600 & 4800) (RH)	1
17.	ZBK810	BK100H SHEAVE -H BUSHING REQD	1
18.	ZBK370	H BUSHING 7/8Inch	1
19.	ZBK805	BK36H SHEAVE -H BUSHING REQD	1
20.	UEC500	H/C STONER HEART 1/8Inch complete	1
21.	ZMT010	1HP 230/460/3/60 143T E-MOTOR	1
22.	ZBG118	1 3/16Inch PILLOW BLOCK BEARING-LOK	2
23.	ZBG230	1 15/16Inch TAKE UP UNIT BRG	1
24.	SEC401	K-BLENDER ECC PUSH ROD	1
25.	ZFG130	SCOTCHPLY - 2Inch X 5 1/2Inch -.195Inch	1
26.	SSB102	K-M/C SCOTCHPLY BACK PLATE 1 1/2 X 2 1/4	2
27.	HBP040	K-PB ECCENTRIC SHAFT 9Inch LONG	1
28.	SBP499(SBP500)	M/C BLENDER GUARD LH(RH)	1

13.1 50 CYCLE BLENDER

50 CYCLE		
ITEM NO	PART NUMBER	DESCRIPTION
11.	ZBK251	B51 BELT
12.	ZBK374	H BUSHING 1 3/16Inch
17.	ZBK810	BK100H SHEAVE (H BUSHING REQD)
18.	ZBK904	H BUSHING 19MM
19.	ZBK804	BK45H SHEAVE (H BUSHING REQD)

14. 4800 HYDRAULIC DRAWING



14. 4800 HYDRAULIC DRAWING

ITEM NO	PART NUMBER	DESCRIPTION	QTY
11.	ZHY110	HYDRAULIC 7 SECTION VALVE	1
12.	ZHY150	HYDRAULIC FILTER HEAD	1
13.	ZHY151	HYDRAULIC FILTER REPLACEMENT CARTRIDGE	1
14.	ZHY102	HYDRAULIC MOTOR ONLY	1
15.	ZHY101	HYDRAULIC PUMP ONLY	1
16.	ZHY130	HYDRAULIC CYLINDER 2 X 4	2
17.	ZHY140	HYDRAULIC CYLINDER - 2 X 6	5
18.	ZHY120	HYDRAULIC CHECK VALVE	1
19.	ZHY285	HYDRAULIC FITTING 1/4" TEE	2
	ZHY286	HYDRAULIC FITTING 1/4" CLOSE NIPPLE	2
20.	ZHY281	3/8" X 90 STREET ELBOW	2
21.	ZHY260	ADAPTER 9205 - 4 X 4	16
	ZHY230	ADAPTER 9315 - 6 X 4	14
	ZHY240	ADAPTER 9205 - 4 X 6	24
	ZHY250	ADAPTER 9205 - 6 X 6	2
22.	ZHY200	HYDRAULIC FITTING 04U-104	48
	ZHY210	HYDRAULIC FITTING 06U-106	2
	ZHY215	HYDRAULIC FITTING 06U-104	2
	ZHY220	HYDRAULIC FITTING 06U-R66	2
23.	ZHY271	MAXI-CAP FLOW RESTRICTER	2
24.		FLOW RESTRICTOR	