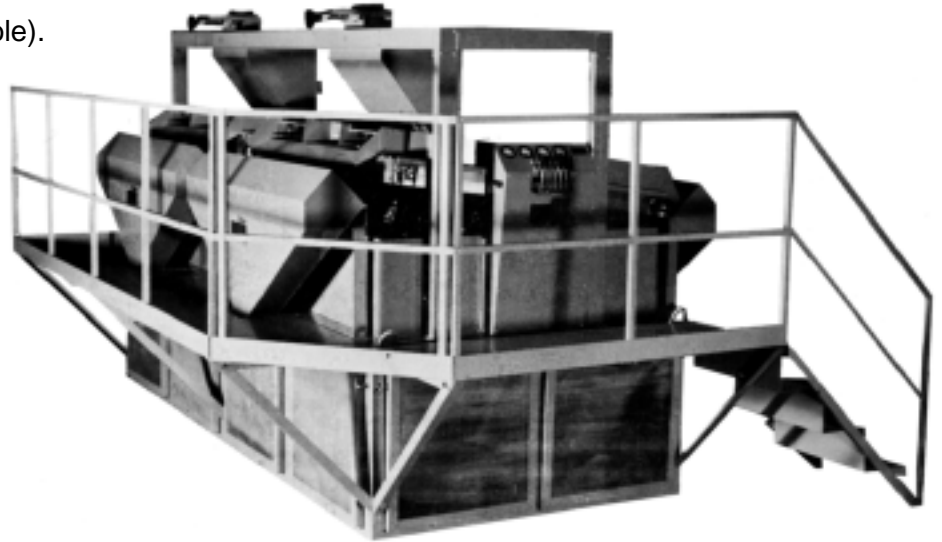


**When you order parts for your Oliver
Maxi-Cap Stoner please provide the
following information:**

Maxi-Cap Stoner Parts List

1. Your Name.
2. Company Name.
3. Shipping Address.
4. Billing Address.
5. Phone Number.
6. Machine Model Number
(located on hydraulic control console).
7. Machine Order Number
(located on hydraulic control console).
8. Purchase Order Number.
9. Parts required:
 - A. Part Number,
 - B. Catalog Number,
 - C. Drawing Number,
 - D. Description,
 - E. Quantity



Specifications For: Maxi-Cap Stoner Models 305, 605, 905, 1205

PLEASE READ THIS BEFORE ORDERING PARTS

Having the above information ready when you call will help insure that we ship the right parts as quickly and efficiently as possible.

All parts shipped will be painted Oliver Yellow unless otherwise specified. If special paint or color is required, please call for price quotation.

Shipping takes place as soon as possible after the order for parts has been received. Normally, Oliver ships orders the same day received. The fastest, least expensive method will be used, unless otherwise specified.

Orders will be shipped C.O.D. unless you have established an account. To receive Net-30 day terms, please provide three industrial and one bank reference.

Your Oliver Maxi-Cap Stoner is designed to give years of trouble-free service. However, as with all machinery, periodic maintenance is required to keep it in top condition. Refer to your owners manual for maintenance instruction.

**MAXI-CAP STONER
PARTS LIST**

CATALOG	DESCRIPTION	PART #
---------	-------------	--------

AIR FILTERS

DRAWING 1

1A	FILTER BACKING WIRE 30 X 30.....	QAF220
1B	FILTER SCREEN 30 X 30.....	QAF225
1C	FILTER COMPLETE.....	SAF001
1D	FILTER BLANK, COMPLETE.....	SAF002
1E	FILTER CLAMP, COMPLETE.....	SAF100
1F	FILTER FOAM TAPE.....	All

BLOWER ASSEMBLY

DRAWING 2

2A	FAN SHAFT	
	305.....	WBF100
	605.....T.....	BF100
	905.....	UBF100
	1205.....	VBF100
2B	FAN WHEEL, COMPLETE.....	SBF100
2C	FAN DRUM, COMPLETE.....	SBF200
2D	2" PILLOW BLOCK BEARING.....	ZBG220
2E	AIR BAFFLE (not shown)	
	305.....	WBF550
	605.....	TBF550
	905.....	UBF550
	1205.....	VBF550
2G	FAN GATE.....	SBF310
2H	FAN GATE SLIDE TUBE.....	TBF311
2J	PVC BEARING.....	SBF313
2K	SLIDE TUBE MOUNT.....	SBF312
2L	FAN AIR CONTROL LINKAGE.....	SBF320
2N	HYDRAULIC CYLINDER (2 X 6).....	ZHY140
2P	1/4" HOSE CONTROL VALVE TO CYLINDER	
	305, 605, 905, 1205 -1 FAN 90".....	SHY407
	605, 905, 1205 -2 FAN 130".....	SHY410
	905, 1205 -3 FAN 170".....	SHY412
	1205 -4 FAN 194".....	SHY413
2Q	SLIDE TUBE HANGER.....	ZBF900
2R	HYD. ADAPTOR 9205-4 X 6.....	ZHY240
2S	HYD. ADAPTOR 9315-6 X 4.....	ZHY230

VARIABLE SPEED SYSTEM

DRAWING 3

3A	VARISPEED PULLEY 4".....	SVS211
3B	VARISPEED MOTOR PLATFORM	
	305.....	WVS101
	605, 905, 1205.....	SVS102
	VARISPEED MOTOR PLATFORM PIN (not shown).....	SVS115
	1/2" COLLAR (not shown).....	N2
3C	BK120H SHEAVE.....	ZBK902
3D	B55 BELT.....	B55
3E	1 3/16" H BUSHING.....	BK9
3F	HYDRAULIC CYLINDER (2 X 4).....	ZHY130
3G	HYDRAULIC CHECK VALVE.....	ZHY120
3H	1/4" HOSE CHECK VALVE TO CYLINDER	
	305 16".....	SHY401
	605 24".....	SHY402
	905 50".....	SHY405
	1205 58".....	SHY406
3K	1/4" HOSE CONTROL VALVE TO CHECK VALVE	
	305 39".....	WHY404
	605 75".....	THY404
	905 120".....	UHY404
	1205 144".....	VHY404
3L	1/4" 90 STREET ELBOW.....	ZHY280
3M	HYDRAULIC ADAPTOR 9205-4 X 4.....	ZHY260
3N	HYDRAULIC ADAPTOR 9315 6 X 4.....	ZHY230
3P	3/8" 90 STREET ELBOW.....	ZHY281
3Q	HYD. CYLINDER MOUNT.....	SEC150
3R	HYD. ADAPTOR 9205 4 X 6.....	ZHY240

BELTS AND DRIVES

DRAWING 4

4A	FANSHAFT	
	305.....	WBF100
	605.....	TBF100
	905.....	UBF100
	1205.....	VBF100

"A" DRIVE

4B	11.3 Q.D. SHEAVE "A" DRIVE.....	ZBK920
4C	SK BUSHING 2" - "A" DRIVE.....	ZBK990
4D	5.9 Q.D. SHEAVE "A" DRIVE.....	ZBK910

4E	SDS BUSHING "A" OR "B" DRIVE	
	305 1 1/8.....	ZBK978
	605 1 3/8.....	ZBK979
	905, 1205 1 5/8.....	ZBK980
4F	OLIVER BELT (FAN) "A" DRIVE.....	ZBK200

"B" DRIVE

4B	15.9 Q.D. SHEAVE "B" DRIVE.....	ZBK925
4C	SF BUSHING 2" "B" DRIVE.....	ZBK995
4D	4.9 Q.D. SHEAVE "B" DRIVE.....	ZBK935
4E	SDS BUSHING "A" OR "B" DRIVE	
	305 1 1/8.....	ZBK978
	605 1 3/8.....	ZBK979
	905, 1205 1 5/8.....	ZBK980
4F	OLIVER BELT (FAN) "B" DRIVE.....	ZBK205

DECK SUSPENSION

DRAWING 5

5A	2" BEARING.....	ZBG220
5B	SPRINGBOARD SUSPENSION ASSEMBLY	
	305.....	WSB101
	605.....	TSB101
	905.....	USB101
	1205.....	VSB101
5C	SCOTCHPLY TOGGLE 2 X 10 1/2.....	ZFG120
5D	SCOTCHPLY BACK PLATE 2 X 2 1/2.....	SSB101
5E	HYDRAULIC CYLINDER 2 X 6.....	ZHY140
5F	1/4" 90 STREET ELBOW.....	ZHY280
5G	HYDRAULIC CHECK VALVE.....	ZHY120
5H	1/4" TEE.....	ZHY285
5J	1/4" HOSE CHECK VALVE TO CYLINDER	
	305 26".....	WHY403
	605 26".....	WHY403
	905 42".....	UHY403
	1205 58".....	VHY403
5K	1/4" HOSE CONTROL VALVE TO CHECK VALVE	
	305 44".....	WHY405
	605 75".....	THY404
	905 120".....	UHY404
	1205 132".....	VHY405
5L	HYD. ADAPTOR 9205-4 X 6.....	ZHY240
5M	HYD. ADAPTOR 9205-4 X 4.....	ZHY260

5N	VARISPEED MOTOR PLATFORM	
	305.....	WVS101
	605, 905, 1205.....	SVS102
5P	HINGE PIN.....	SVS115
5R	TACHOMETER MAGNETIC PICKUP.....	ZVS221
5S	HYD. ADAPTOR 9315 6 X 4.....	ZHY230

DECK

DRAWING 6

6A	DECK HANDLE.....	SDK301
6B	DECK CLAMPING ASSEMBLY.....	SDK520
6C	LIGHT PRODUCT DISCHARGE APRON	
	305.....	WDK410
	605.....	TDK410
	905.....	UDK410
	1205.....	VDK410
6D	DECK SIDE RAIL SET.....	WDK301
6E	DECK RIFFLE SET	
	305.....	WDK375
	605.....	TDK375
	905.....	UDK375
	1205.....	VDK375
6F	DECK OVERCOVER	
	305	
	10 MESH DECK OVERCOVER W/RIVETS.....	WDK233
	16 MESH DECK OVERCOVER W/RIVETS.....	WDK235
	30 MESH DECK OVERCOVER W/RIVETS.....	WDK237
	10 MESH DECK OVERCOVER W/RIVETS(STAINLESS).....	WDK232
	16 MESH DECK OVERCOVER W/RIVETS(STAINLESS).....	WDK234
	30 MESH DECK OVERCOVER W/RIVETS(STAINLESS).....	WDK236
	10 MESH COATED OVERCOVER W/RIVETS.....	WDK238
	16 MESH COATED OVERCOVER W/RIVETS.....	WDK239
	605	
	10 MESH DECK OVERCOVER W/RIVETS.....	TDK233
	16 MESH DECK OVERCOVER W/RIVETS.....	TDK235
	30 MESH DECK OVERCOVER W/RIVETS.....	TDK237
	10 MESH DECK OVERCOVER W/RIVETS(STAINLESS).....	TDK232
	16 MESH DECK OVERCOVER W/RIVETS(STAINLESS).....	TDK234
	30 MESH DECK OVERCOVER W/RIVETS(STAINLESS).....	TDK236
	10 MESH COATED OVERCOVER W/RIVETS.....	TDK238
	16 MESH COATED OVERCOVER W/RIVETS.....	TDK239

905	10 MESH DECK OVERCOVER W/RIVETS.....	UDK233
	16 MESH DECK OVERCOVER W/RIVETS.....	UDK235
	30 MESH DECK OVERCOVER W/RIVETS.....	UDK237
	10 MESH DECK OVERCOVER W/RIVETS(STAINLESS).....	UDK232
	16 MESH DECK OVERCOVER W/RIVETS(STAINLESS).....	UDK234
	30 MESH DECK OVERCOVER W/RIVETS(STAINLESS).....	UDK236
	10 MESH COATED OVERCOVER W/RIVETS.....	UDK238
	16 MESH COATED OVERCOVER W/RIVETS.....	UDK239

1205	10 MESH DECK OVERCOVER W/RIVETS.....	VDK233
	16 MESH DECK OVERCOVER W/RIVETS.....	VDK235
	30 MESH DECK OVERCOVER W/RIVETS.....	VDK237
	10 MESH DECK OVERCOVER W/RIVETS(STAINLESS).....	VDK232
	16 MESH DECK OVERCOVER W/RIVETS(STAINLESS).....	VDK234
	30 MESH DECK OVERCOVER W/RIVETS(STAINLESS).....	VDK236
	10 MESH COATED OVERCOVER W/RIVETS.....	VDK238
	16 MESH COATED OVERCOVER W/RIVETS.....	VDK239

6H	DECK FRAME	
	305.....	WDK200
	605.....	TDK200
	905.....	UDK200
	1205.....	VDK200
6J	1/16" X 1 1/2" PSA NEOPRENE SEAL PER FOOT.....	ZDK900
6K	DECK CARRIAGE COMPLETE	
	305.....	WDK500
	605.....	TDK500
	905.....	UDK500
	1205.....	VDK500
6L	CONTINUOUS HEAVY DISCHARGE GATE	
	605.....	TDK400
	905.....	UDK400
	1205.....	VDK400
6M	CONTINUOUS HEAVY DISCHARGE TRIM DIVIDER.....	WDK400
6N	INTERMITTENT HEAVY DISCHARGE GATE.....	UDK195
6P	INTERMITTENT HEAVY DISCHARGE TRIM DIVIDER	
	605.....	TDK402
	905.....	UDK402
	1205.....	VDK402
6R	UNDERCOVER SET	
	305	
	A DECK UNDERCOVER SET.....	WDK220
	B DECK UNDERCOVER SET.....	WDK221

	605		
	A DECK UNDERCOVER SET.....	TDK220	
	B DECK UNDERCOVER SET.....	TDK221	
	905		
	A DECK UNDERCOVER SET.....	UDK220	
	B DECK UNDERCOVER SET.....	UDK221	
	1205		
	A DECK UNDERCOVER SET.....	VDK220	
	B DECK UNDERCOVER SET.....	VDK221	
6S	PARTING STRIPS, SET		
	305.....	WDK245	
	605.....	TDK245	
	905.....	UDK245	
	1205.....	VDK245	
6T	NRV AIR CHEST BOOT SET		
	305.....	WAC300	
	605.....	TAC300	
	905.....	UAC300	
	1205.....	VAC300	
6U	LIGHT DISCHARGE DIVIDER		
	905.....	UDK420	
	1205.....	VDK420	
6V	BOOT RETAINER SET		
	305.....	WAC301	
	605.....	TAC301	
	905.....	UAC301	
	1205.....	VAC301	

COUNTERBALANCE

DRAWING 7

7A	BK120 SHEAVE.....	ZBK902
7B	1 3/16" PILLOW BLOCK BEARING.....	B3A
7C	ECCENTRIC HEART 1/4" THROW.....	UEC500
7D	1 15/16 TAKE UP UNIT BEARING.....	ZBG230
7E	ECCENTRIC DRIVE ROD, COMPLETE.....	UEC340
7F	SCOTCHPLY BACK PLATE 1 3/4 X 2 1/2.....	SSB102
7G	SCOTCHPLY TOGGLE 2" X 5 1/2.....	ZFG130
7J	COUNTER WEIGHT MOUNT ANGLE	
	305.....	WEC300
	605.....	TEC300
	905.....	UEC300
	1205.....	VEC300
7K	COUNTER WEIGHT PLATE	
	605 (2 EA.), 905 (2 EA.), 1205 (6 EA.).....	UEC301
7M	COUNTER BALANCE DRIVE ROD, COMPLETE.....	UEC320

7N	1 X 5 HEX CAP SCREW.....	ZBT595
7P	1" FLAT WASHER.....	ZWA950
7Q	1" NYLOK NUT.....	ZNT510
7T	ECCENTRIC SHAFT	
	305.....	WEC351
	605.....	TEC350
	905.....	UEC350
	1205.....	VEC350
7S	ECCENTRIC HEART 1/2" THROW.....	UEC501
7R	1" JAM NUT.....	ZNT900
7U	FIBERGLASS TOGGLE 2 X 10 1/2.....	ZFG125
7V	BACKUP PLATE 2 X 2 1/2.....	SSB101
7W	1 3/16" H BUSHING.....	BK9
7X	TACHOMETER SENSING GEAR.....	HVS222

CONTROL CONSOLE

DRAWING 8

8A	305 HYDRAULIC 3-SECTION VALVE.....	ZHY116
	605 HYDRAULIC 4-SECTION VALVE.....	ZHY103
	905 HYDRAULIC 5-SECTION VALVE.....	ZHY104
	1205 HYDRAULIC 6-SECTION VALVE.....	ZHY105
8B	HYDRAULIC ADAPTOR O6U R66.....	ZHY220
8C	CONTROL CONSOLE	
	305.....	WHY101
	605, 905, 1205.....	SHY101
8D	HYDRAULIC FILTER, COMPLETE.....	ZHY150
8E	HYDRAULIC FILTER REPLACEMENT CARTRIDGE.....	ZHY151
8F	HYDRAULIC ADAPTOR 9205 6 X 6.....	ZHY250
8H	HYDRAULIC ADAPTOR 9205 4 X 6.....	ZHY240
8J	HYDRAULIC PUMP/MOTOR, COMPLETE.....	ZHY100
	HYDRAULIC PUMP PARTS, PUMP ONLY.....	ZHY101
	HYDRAULIC PUMP PARTS, MOTOR ONLY.....	ZHY102
8K	3/8 HOSE PUMP TO CONTROL VALVE 126".....	SHY385
8L	3/8 HOSE CONTROL VALVE TO FILTER 106".....	SHY384
8M	3/8 HOSE FILTER TO PUMP	
	305.....	SHY383
	605, 905, 1205.....	SHY384
8N	CONSOLE COVER	
	305.....	WHY202
	605, 905, 1205.....	SHY202

INDICATORS

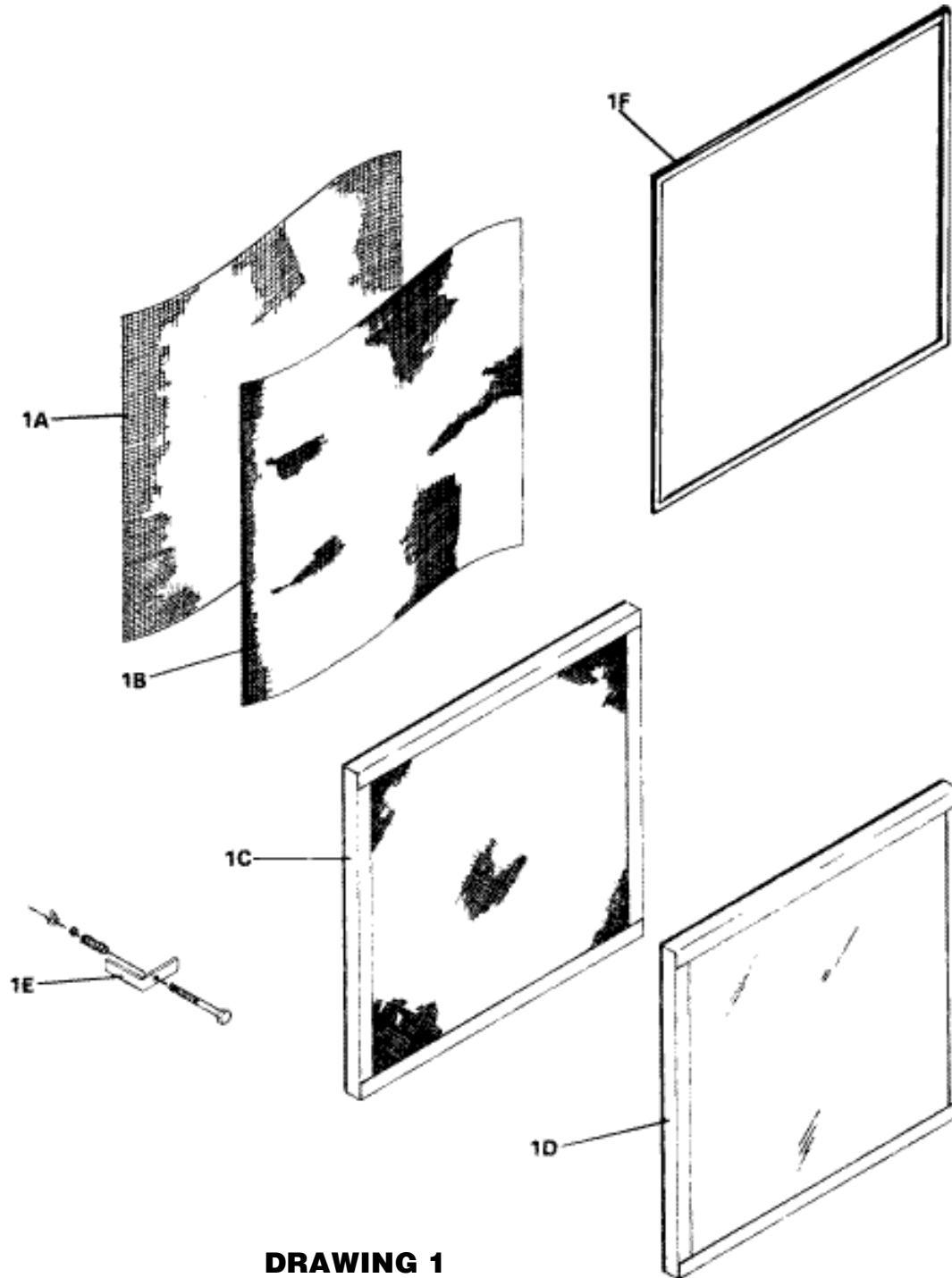
DRAWING 9

9A	TACHOMETER SENSING GEAR.....	HVS222
9B	1/4" RETAINER CLIP.....	ZVS242
9C	PITOT TUBE CUT/BEND.....	SVS240
9D	AIR INDICATOR GAGE PLASTIC TUBING-PER FOOT.....	ZVS240
9E	AIR INDICATOR GAGE.....	ZVS230
9F	TACHOMETER.....	ZVS220
9G	TACHOMETER MAGNETIC PICKUP.....	ZVS221

ASPIRATING FEEDER FAN

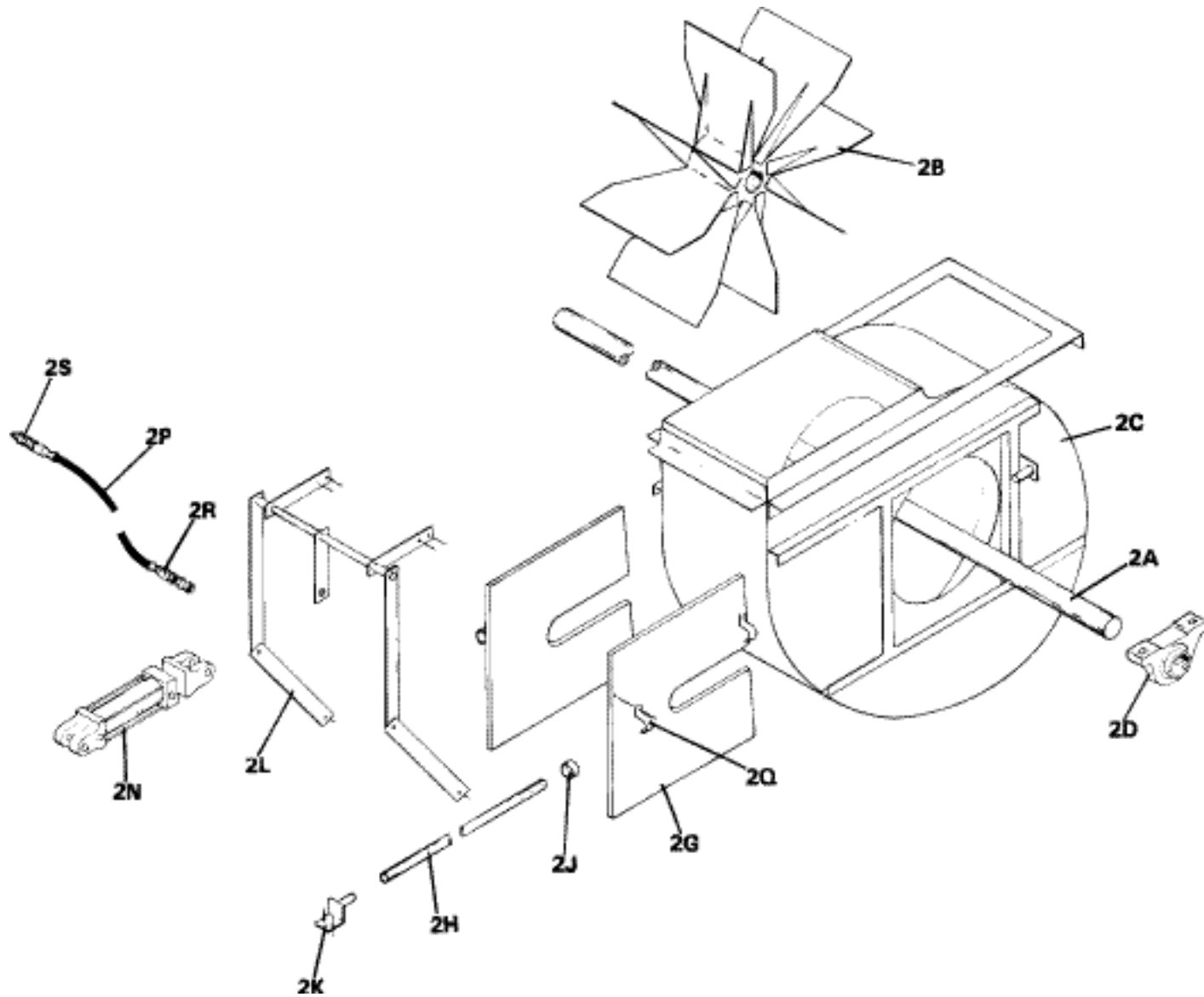
DRAWING 10

10A	ASPIRATING FEEDER FAN, LESS MOTOR.....	113
10B	1 HORSE POWER TEFC 220/3/60 MOTOR.....	M5



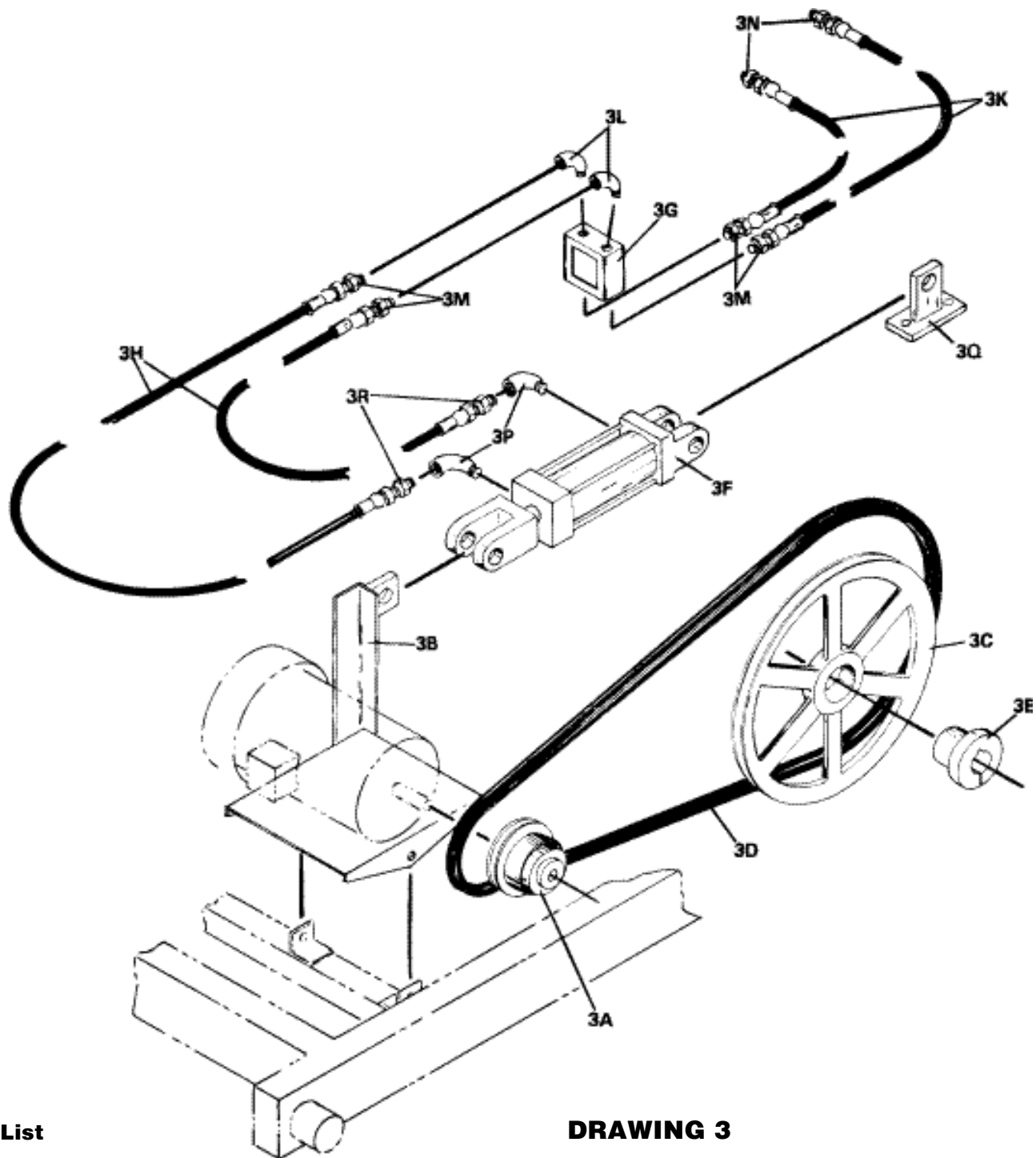
[Return to List](#)

DRAWING 1



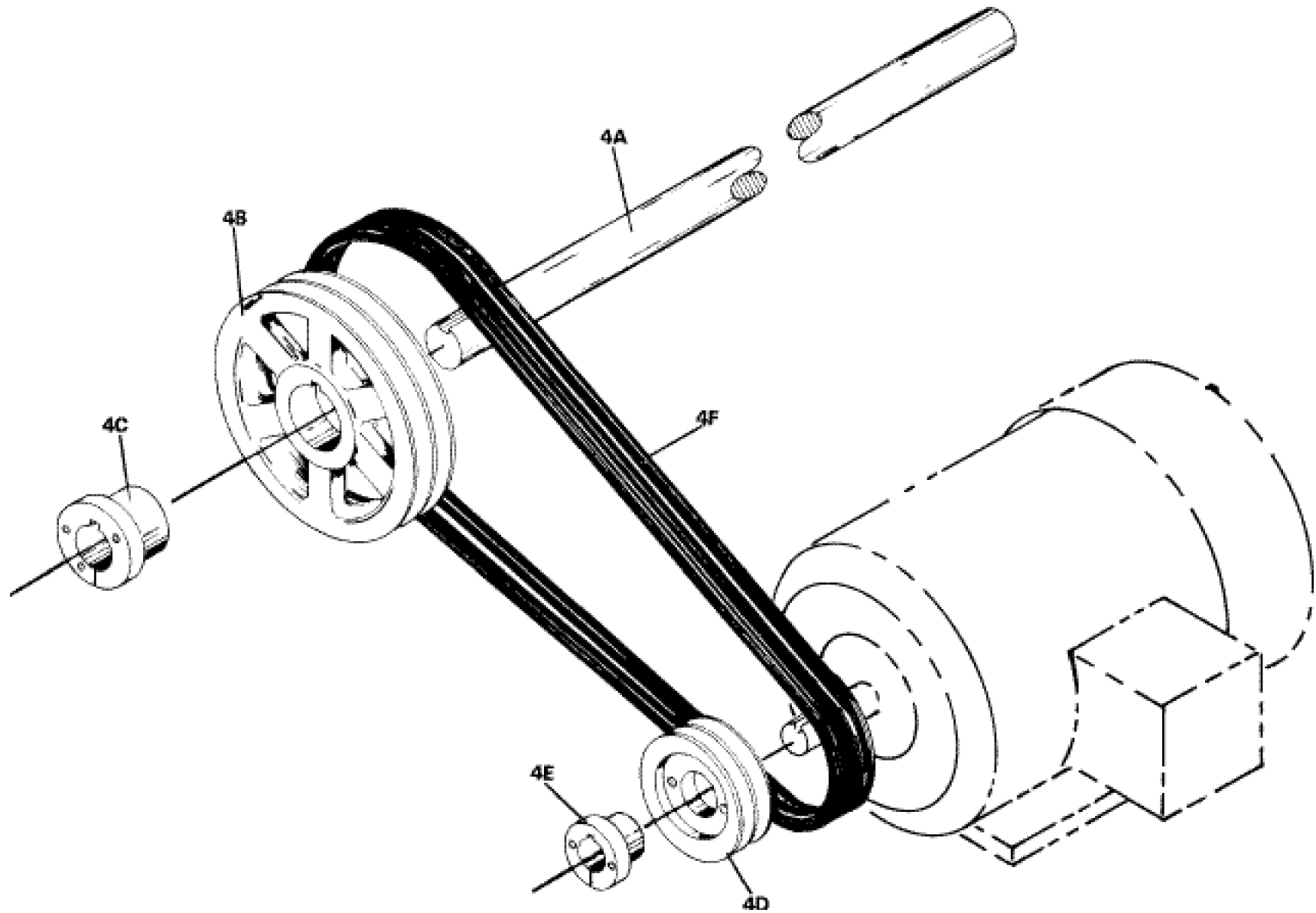
[Return to List](#)

DRAWING 2



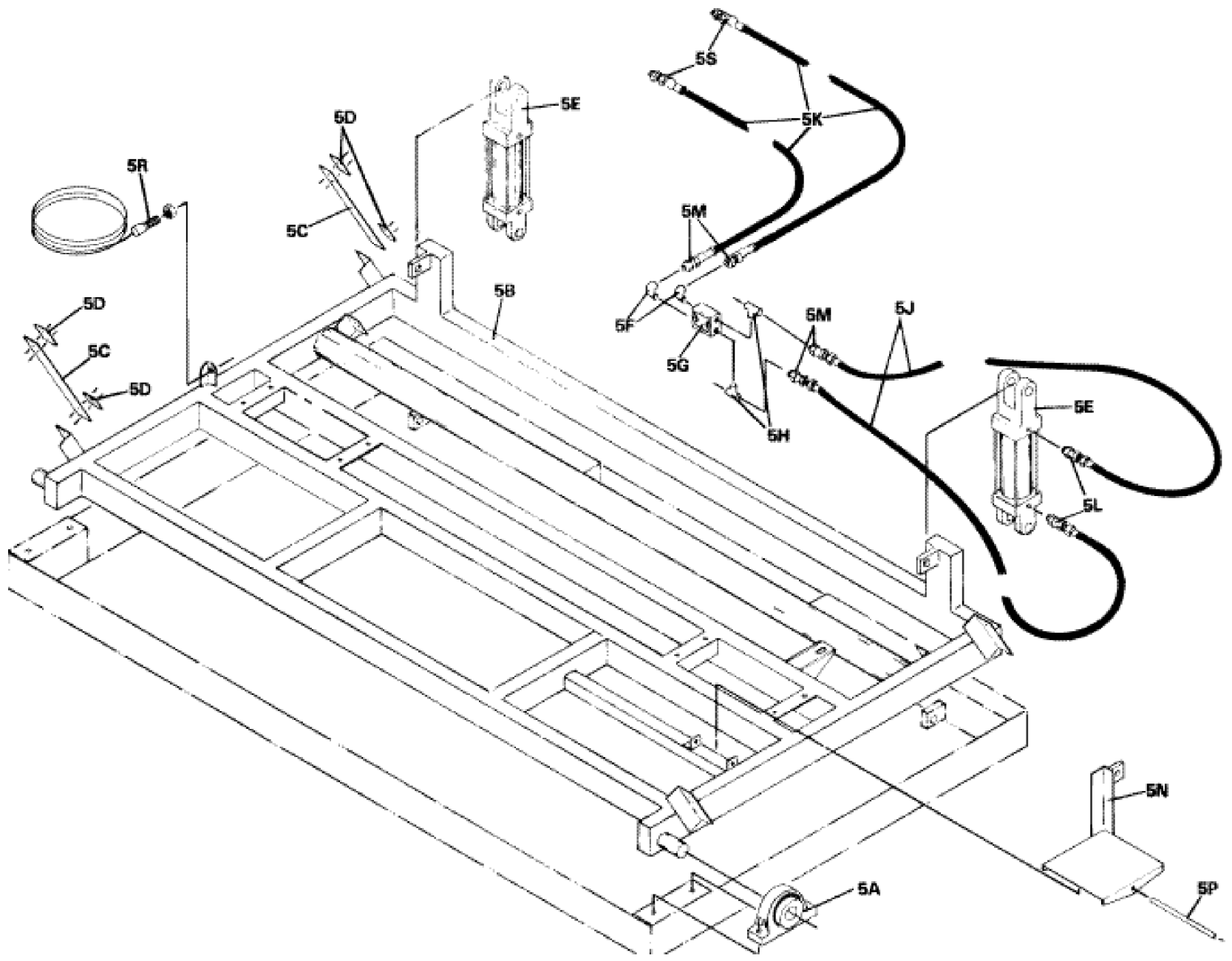
[Return to List](#)

DRAWING 3



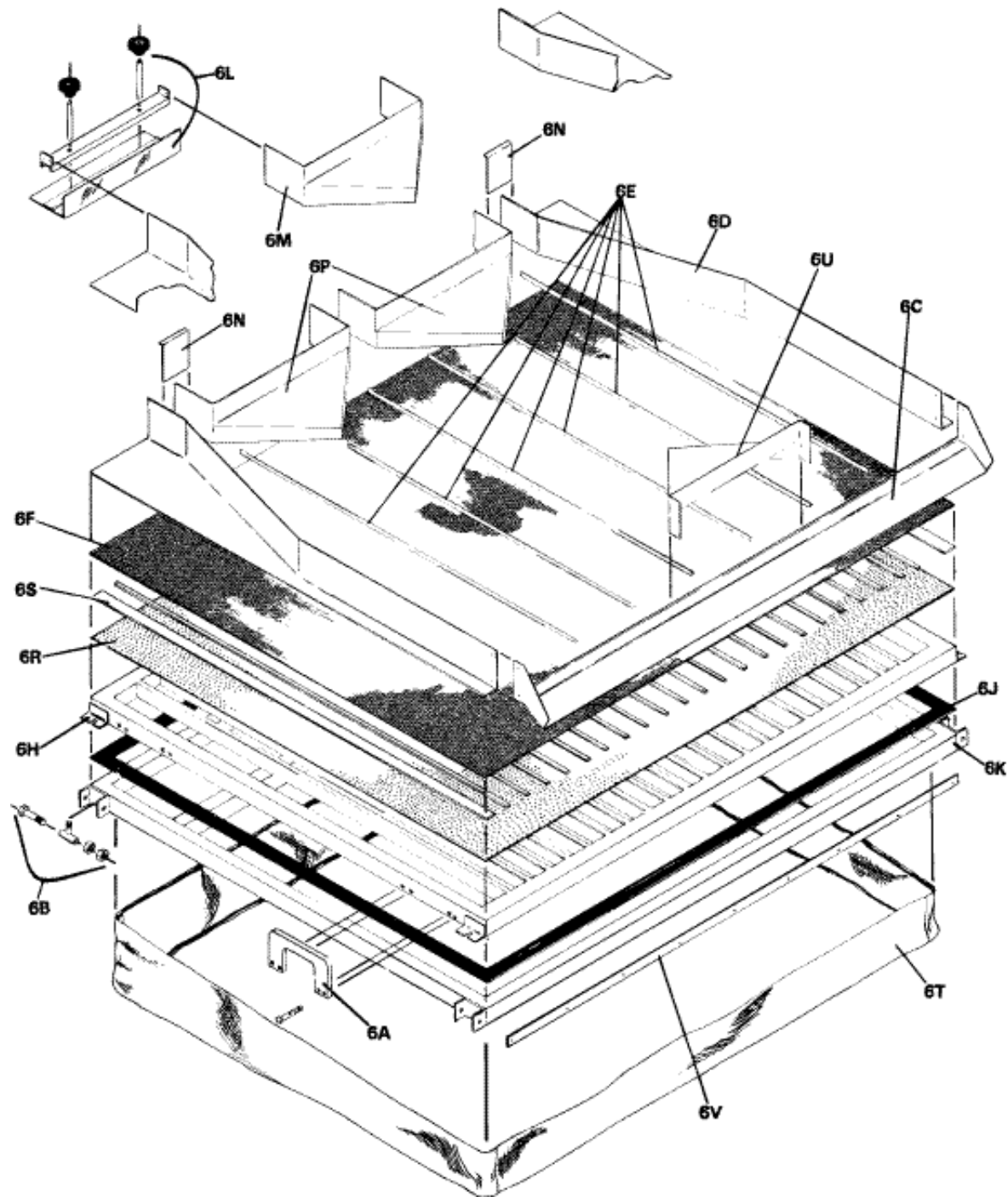
[Return to List](#)

DRAWING 4



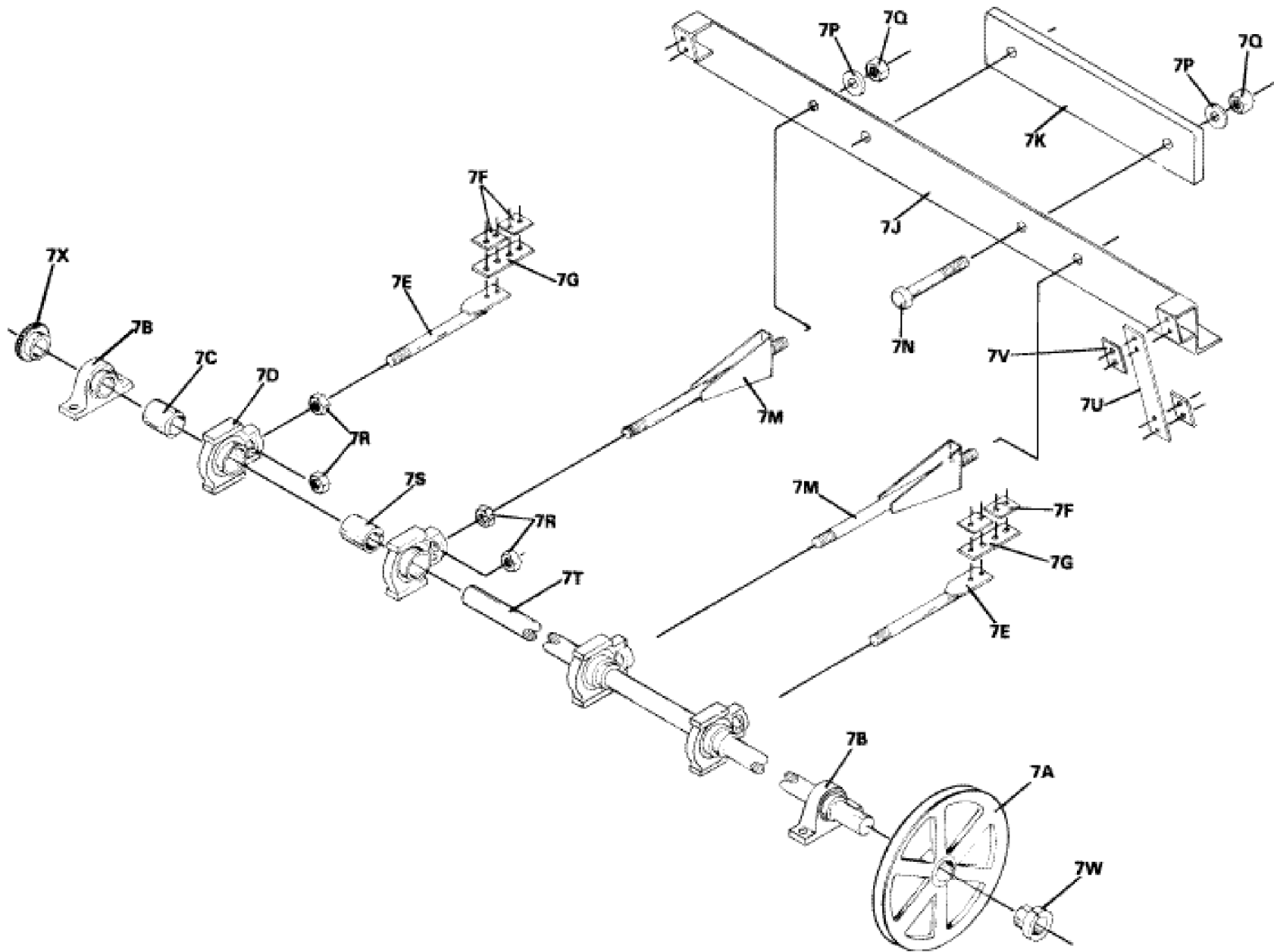
[Return to List](#)

DRAWING 5



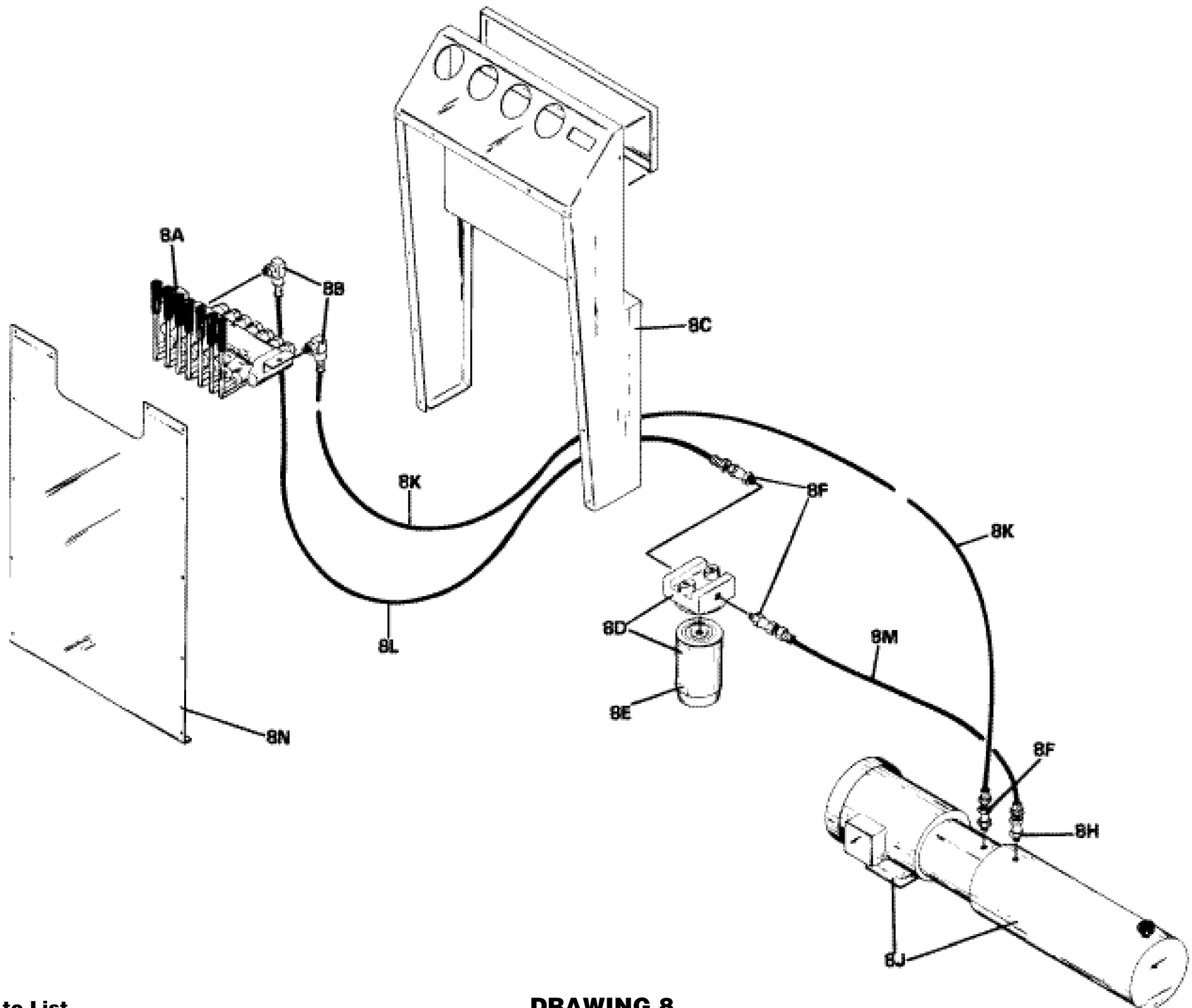
[Return to List](#)

DRAWING 6



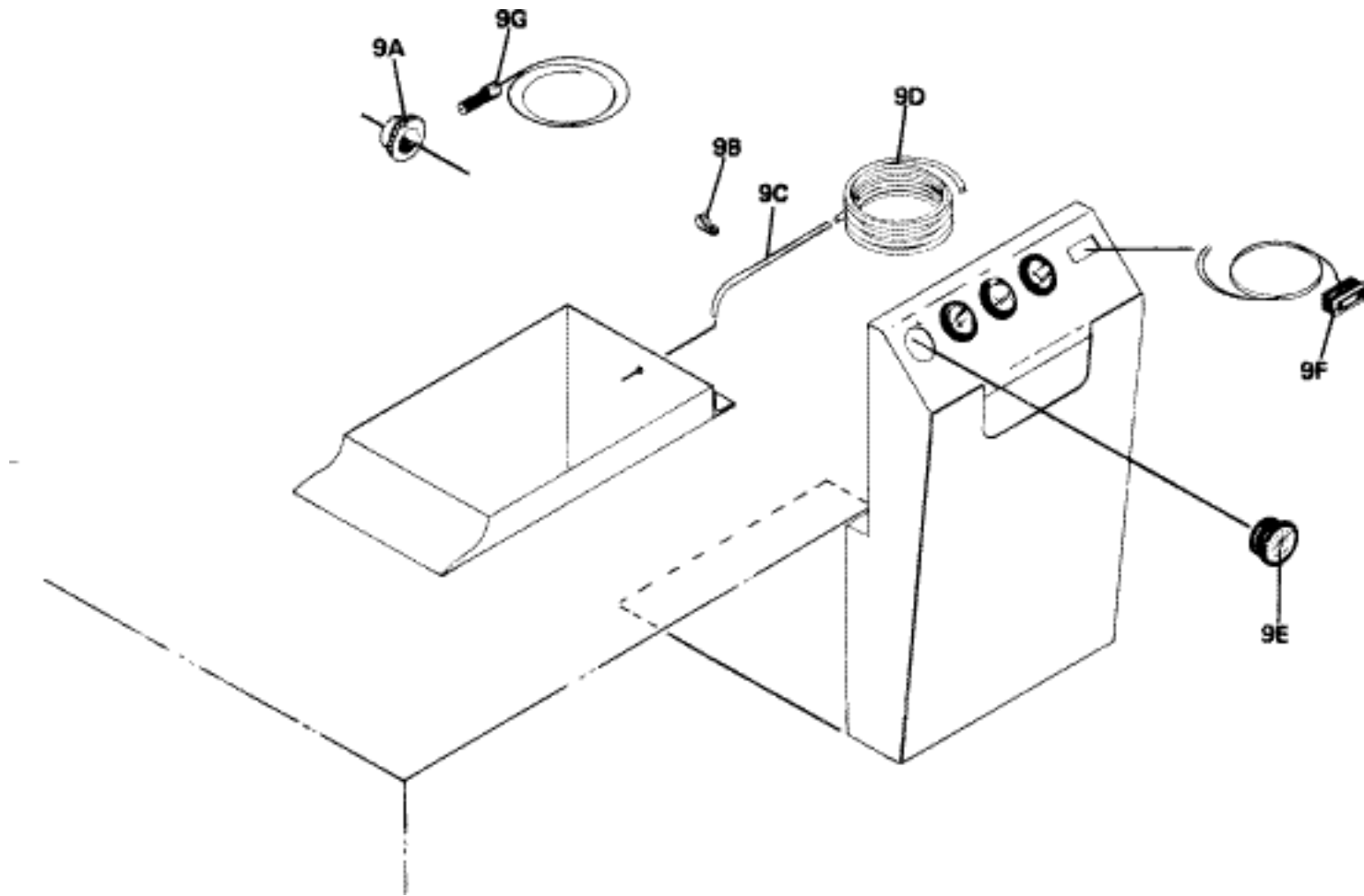
[Return to List](#)

DRAWING 7



[Return to List](#)

DRAWING 8



[Return to List](#)

DRAWING 9

