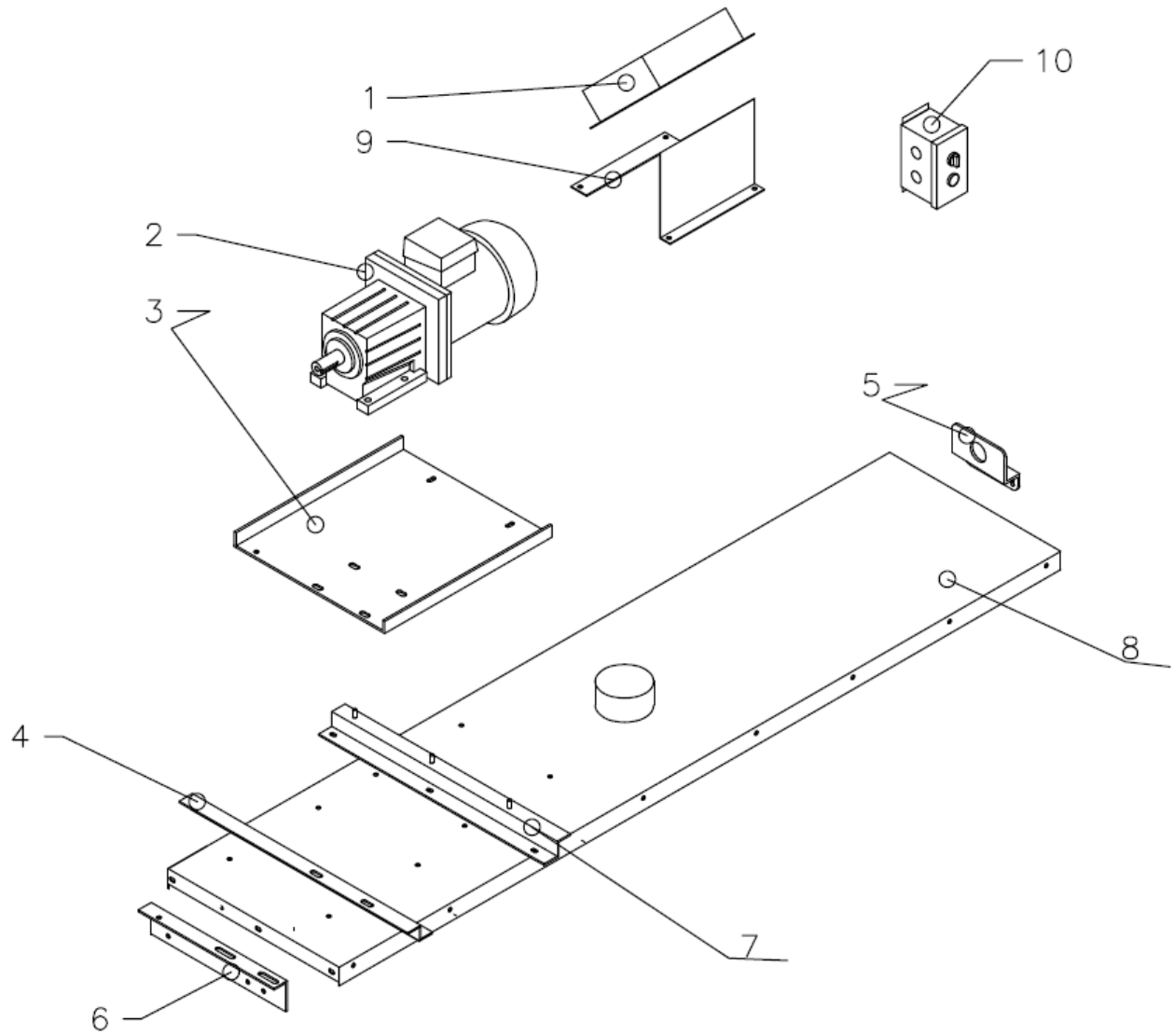


**SIZE RIGHT 1
INVERTER DRIVE ASSEMBLY**

REF#	DESCRIPTION	PART # / QTY
1	INVERTER DRIVE (3 PHASE) YASWAKA	ZVS192(230) ZVS193 (460)
2	GEAR MOTOR	ZZP000061
3	MOTOR SUPPORT PLATE	ZZA0491201
4	GEAR MOTOR SUPPORT BRACKET	ZZA0491191
5	LIFTING LUG	ZZ26401000 (4)
6	MOTOR SUPPORT BRACKET	ZZ261551001
7	BACK MOTOR SUPPORT BRACKET	ZZ261541001
8	TOP COVER	ZZA049500
9	VFD MOUNT*	ZZA1099141
10	ELECTRIC SWITCH SELECTOR SWITCH PUSH BUTTON SWITCH	ZZP000252 ZZP000253 ZZP000698

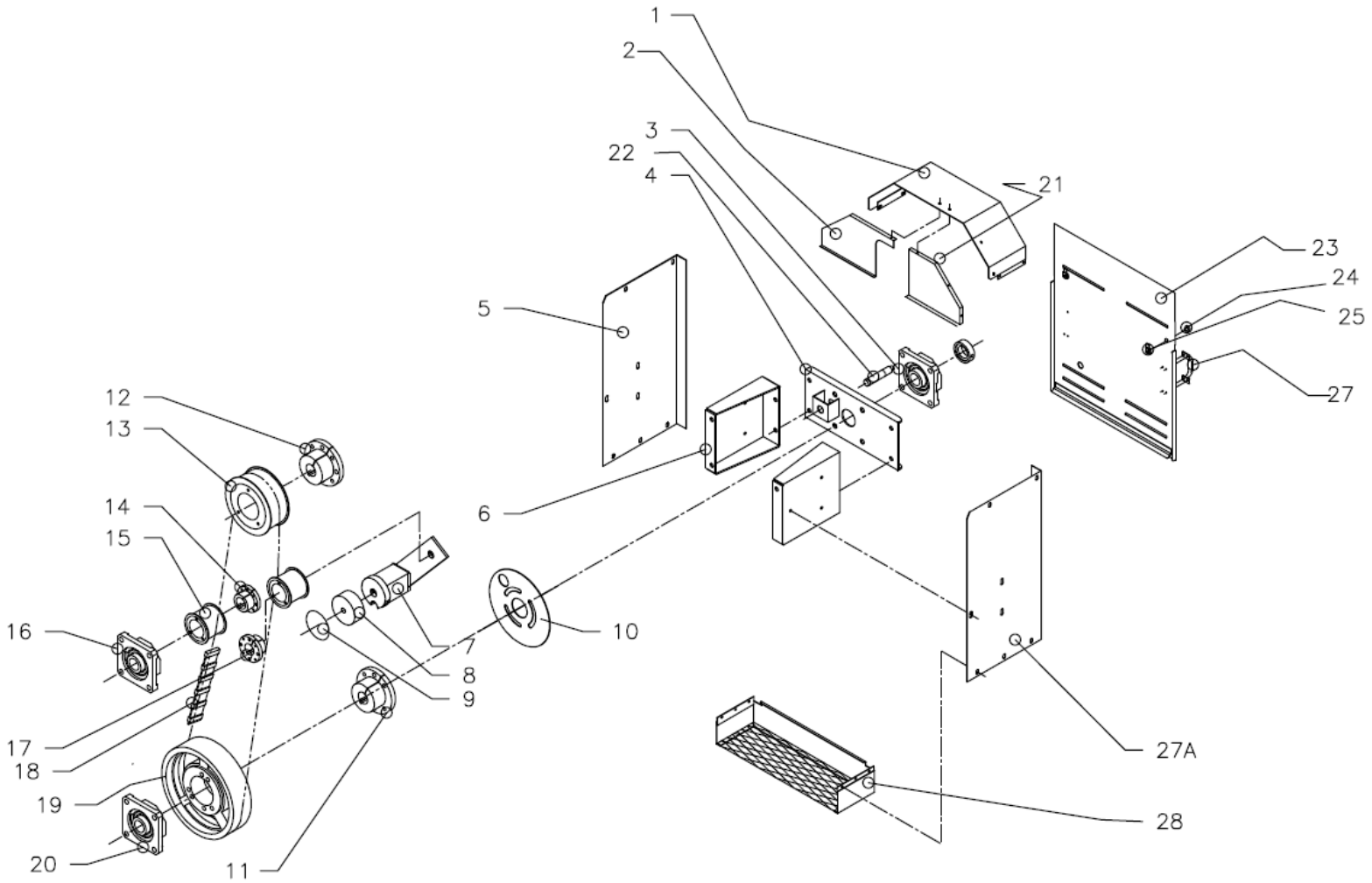


SIZE RIGHT VARIABLE
SPEED DRIVE SYSTEM
DRAWN BY: KUMAR
03/18/09

**#1 SIZE RIGHT®
DRIVE END ASSEMBLY**

REF	DESCRIPTION	PART #/ QTY
1	DRIVE GUARD HOOD	ZZA0490801
2	DRIVE GUARD HOOD PLATE LH	ZZA0490871
3	OUTER CYLINDER BEARING	ZZP000075 (2)
4	OUTER BEARING/SENSOR SUPPORT PLATE	ZZA0491051
5	DRIVE GUARD UPPER SIDE PLATE LH	ZZA0490171
6	OUTER BEARING SUPPORT BRACKET	ZZA049109 (2)
7	DRIVE TENSIONER	ZZ26170500
8	TENSIONER SPACER	ZZA0491531
9	TENSIONER SHIM 2.38"	ZZ26192000
10	TIMING PLATE	ZZA310001
11	CYLINDER PULLEY BUSHING 1-1/4"	ZZP000073 (1)
12	DRIVE PULLEY BUSHING 1"	ZZP000063
13	DRIVE PULLEY	ZZP000062
14	WIPER PULLEY BUSHING 1-3/16"	ZZP000069 (1)
15	WIPER TENSIONER PULLEY	ZZP000068 (2)
16	BEARING 4 HOLE FLANGE	ZZP000080 (1)
17	TENSIONER INSERT w/ BEARING	ZZP000071 (1)
18	DRIVE BELT(SHORT BELT)	ZZP000058 (1)
19	CYLINDER PULLEY	ZZP000072 (1)
20	CYLINDER PULLEY BEARING	ZZ16490400 (1)
21	DRIVE GUARD HOOD PLATE RH	ZZAO490851
22	TIMING SENSOR	ZZP000076
23	DRIVE GUARD DOOR #1	ZZAO491281
24	1/4- TURN FASTENER	ZZ32002100 (2)
25	1/4- TURN CAM	ZZ16570402 (2)
26	1/4- TURN KEY (not shown)	ZZ32002200
27	GUARD DOOR PULL HANDLE	ZZ26210500 (1)
27A	DRIVE GUARD UPPER SIDE PLATE RH	ZZA0490161
28	DRIVE GUARD BOTTOM	ZZA0490101

#1 SIZE RIGHT® DRIVE END ASSEMBLY



NO. 1 PD SIZE RIGHT
BELT DRIVE ASS'Y

#1 PD SIZE-RIGHT® CYLINDER ASSEMBLY

REF	DESCRIPTION	PART # / QTY
1	WIPER BOLT	ZZ26147500 (15)
2	WIPER BOLT SPACER	ZZ26147600 (15)
3	WIPER BLADE KIT	ZZ26148100 (5)
4	WIPER SHAFT	ZZ26149100
5	WIPER BLADE HUB	ZZ26147100 (3)
6	KNOB	ZZ30200100
7	OVERS DISCHARGE TRANSITION	ZZ26125400
8	SHORT DISCHARGE SPOUT	ZZ21283001
9	WIPER SHAFT FEED END BEARING	ZZ16491000
10	FEED END PLATE	ZZA049703
11	WIPER MOUNT FENDER WASHER	ZZ26190800 (6)
12	FEED HOPPER	ZZ26130200
13	INTAKE SPOUT	ZZ26139000
14	SIDE PANEL	ZZA049602 (2)
15	HOPPER PLATE LH	ZZ26121700
16	FULL AIR GATE, ALUM.	ZZA049250
17	AIR SLIDE SCREEN	ZZA049156
18	HANDLE, NON-LOCKING	ZZA049052 (4)
19	SIDE DOOR	ZZ26113000 (2)
20	HOPPER PLATE RH	ZZ26121800
21	CYLINDER GUARD	ZZ26114000 (2)
22	PARTITION PLATE EXTENSION LH	ZZ26124500
23	DRIVE END PLATE	ZZA049701
24	CYLINDER DRIVE SHAFT	ZZA049103
25	QUICK RELEASE PIN	ZZA049154
26	COUPLER COLLAR	ZZ26173600
27	SPIDER SHAFT	ZZ26173400
28	SET SCREW	ZZ40100500 (2)
29	CYLINDER SPIDER	ZZ26173300
30	CYLINDER (varies/perforation size)	ZZ2618XXXX
31	POLY INTAKE HUB	ZZ26146200
32	FELT INTAKE SEAL	ZZ26144000
33	TRUNNION BEARING BOLT	ZZ26179000 (2)
34	TRUNNION BEARING W/URETHANE	ZZ26177000 (2)
35	END DEFLECTOR	ZZ26142300 *
36	BOTTOM RAIL	ZZ26143000 (2)
37	PARTITION PLATE	ZZ26125100
38	PARTITION PLATE EXTENSION RH	ZZ26124600

* WHEN MOUNTED ON A CONVEYOR USE PART #26142400

#1 SIZE-RIGHT® CYLINDER ASSEMBLY

