

**SIZE RIGHT®**

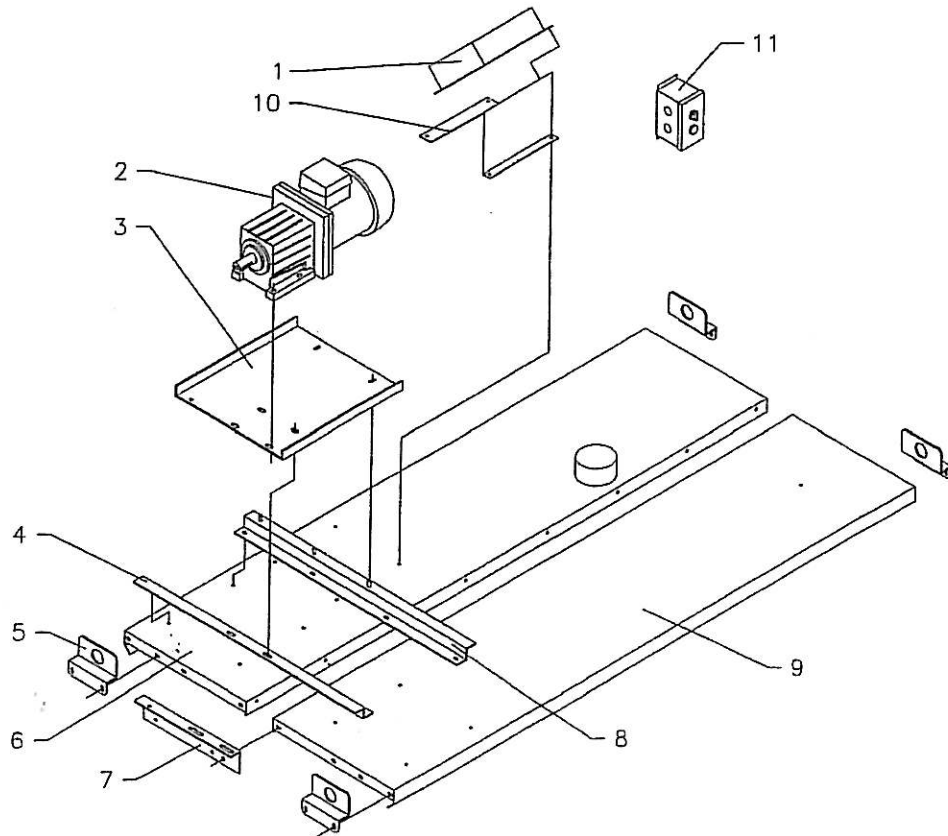
**PARTS LISTS APPENDIX  
111804**

## SIZE RIGHT 2,4, & 6 INVERTER DRIVE ASSEMBLY

REF#	DESCRIPTION	PART # / QTY
1A	INVERTER DRIVE (3 PHASE)	P000134
1B	INVERTER DRIVE (1 PHASE)	P000060
2	GEARMOTOR	P000061
3	MOTOR SUPPORT PLATE	A049120
4	GEARMOTOR SUPPORT BRACKET	A049119
5	LIFTING LUG	26401000 (4)
6	TOP PLATE RH	A049121
7	MOTOR SUPPORT BRACKET	26155100
8	BACK MOTOR SUPPORT BRACKET	26154100
9	TOP PLATE LH	A049123
10	VFD MOUNT*	A109014
11	PUSH BUTTON SWITCH ASSEMBLY	A049251
<b>INVERTER DRIVE ASSEMBLY</b>		<b>A049246</b>

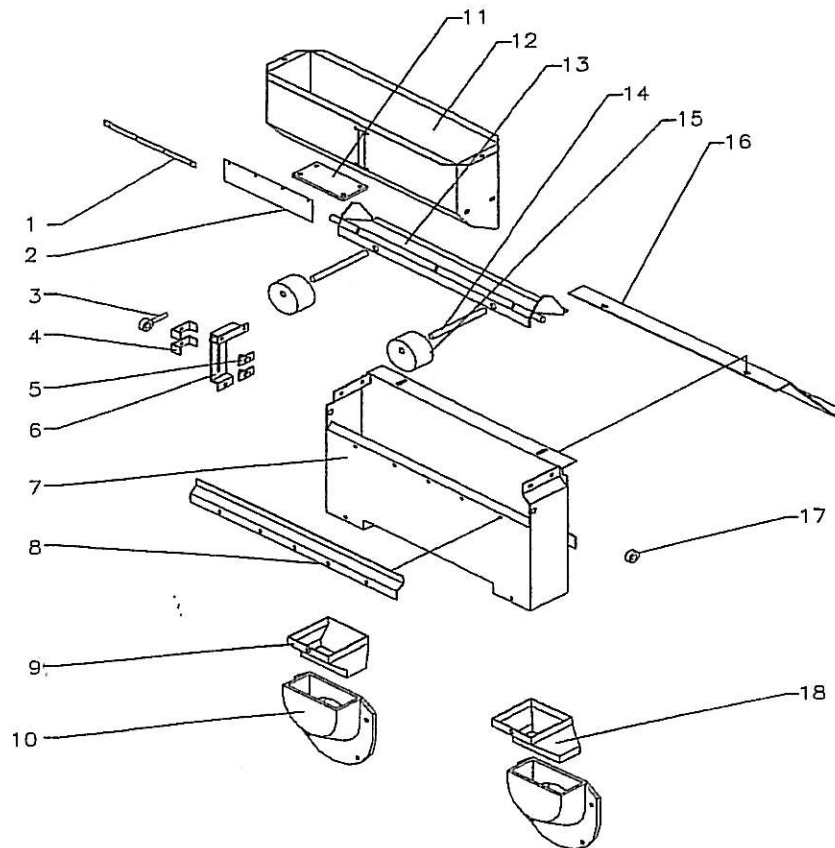
\* Mount used on #2 machine. Mounted on the control for #4 & 6.

**Standard Inverter Drive is P000134.  
Inverter Drive P000060 is optional.**



## #2 SIZE RIGHT® INTAKE END ASSEMBLY

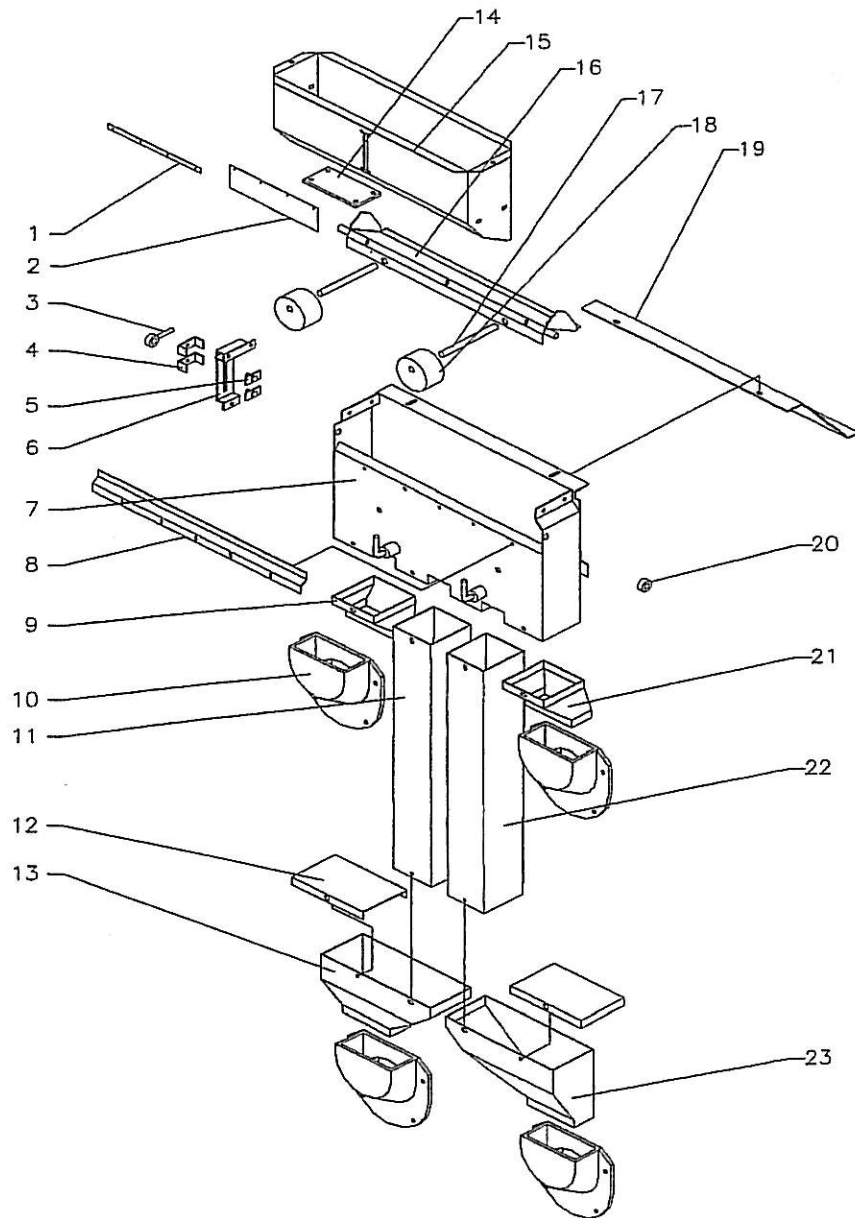
REF	DESCRIPTION	PART# / QTY
1	HOPPER GUARD PLATE	26136300
2	HOPPER RUBBER GUARD PANEL	26136400
3	FEED GATE CONTROL ROD	26132000
4	FLOW CONTROL STOP BRACKET	26133300 (2)
5	FLOW CONTROL STOP	26133400 (2)
6	FLOW CONTROL BRACKET	26133200
7	FEED BOX	26137700
8	DUST SHIELD ANGLE	26138900
9	INTAKE SPOUT TRANSITION LH	26400400
10	INTAKE SPOUT	26139000 (2)
11	HOPPER SIGHT GLASS	26131600
12	FEED HOPPER	26130800
13	INTAKE CONTROL VALVE	26136800
14	COUNTERWEIGHT ROD	26135000 (2)
15	COUNTERWEIGHT	26134000 (2)
16	FEED BOX BRACE	26136100
17	SET COLLAR 1/2"	17960100
18	INTAKE SPOUT TRANSITION RH	26400500



**#4 SIZE RIGHT®  
INTAKE END ASSEMBLY**

REF	DESCRIPTION	PART# / QTY
1	HOPPER GUARD PLATE	26136300
2	HOPPER RUBBER GUARD PANEL	26136400
3	FEED GATE CONTROL ROD	26132000
4	FLOW CONTROL STOP BRACKET	26133300 (2)
5	FLOW CONTROL STOP	26133400 (2)
6	FLOW CONTROL BRACKET	26133200
7	FEED BOX	26137900
8	DUST SHIELD ANGLE	26138800
9	UPPER INTAKE SPOUT TRANSITION LH	26400400
10	INTAKE SPOUT	26139000 (4)
11	DOWN SPOUT CHUTE LH	26190500
12	LOWER INTAKE SPOUT TRANSITION COVER	26150700 (2)
13	LOWER INTAKE SPOUT TRANSITION LH	26141700
14	HOPPER SIGHT GLASS	26131600
15	FEED HOPPER	26130800
16	INTAKE CONTROL VALVE	26136800
17	COUNTERWEIGHT ROD	26135000 (2)
18	COUNTERWEIGHT	26134000 (2)
19	FEED BOX BRACE	26136100
20	SET COLLAR 1/2"	17960100
21	UPPER INTAKE SPOUT TRANSITION RH	26400500
22	DOWN SPOUT CHUTE RH	26190600
23	LOWER INTAKE SPOUT TRANSITION RH	26141800

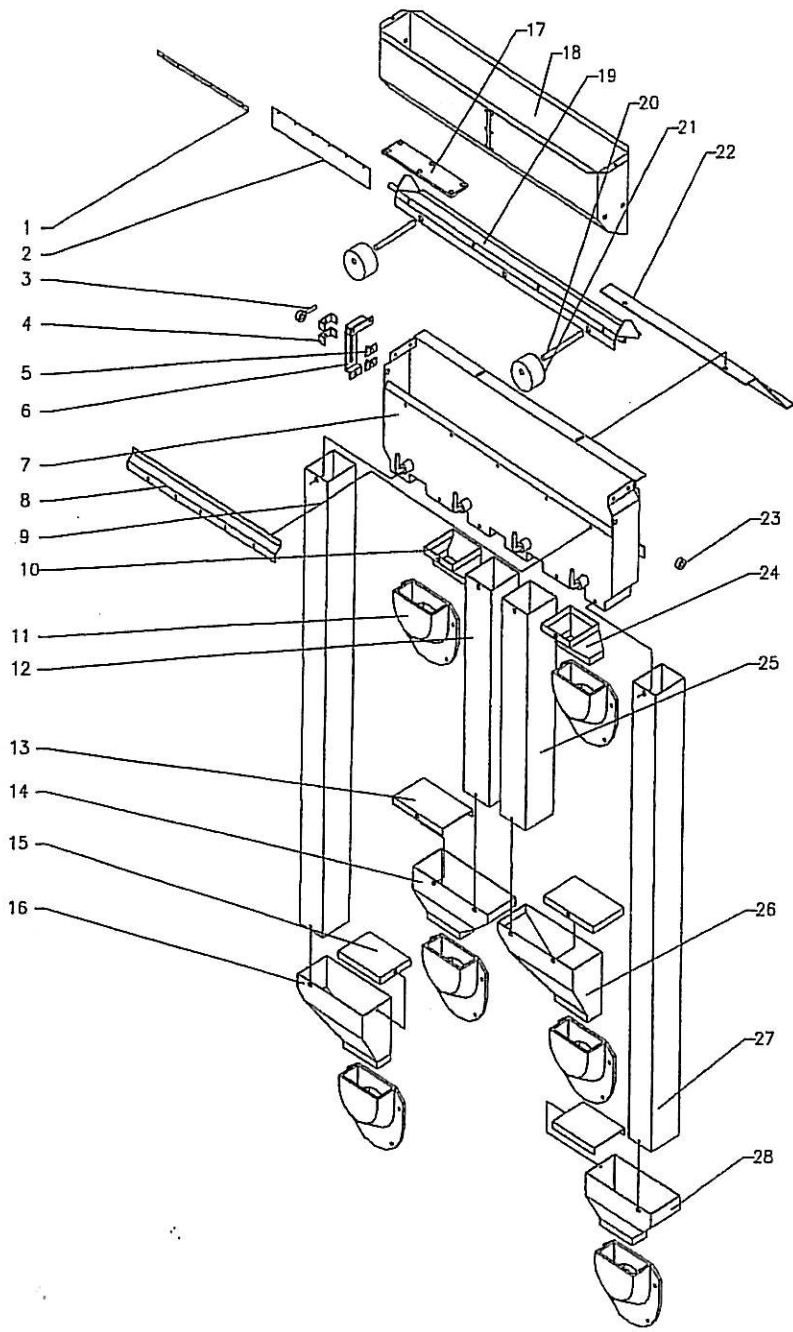
# #4 SIZE RIGHT® INTAKE END ASSEMBLY



**#6 SIZE RIGHT®  
INTAKE END ASSEMBLY**

REF	DESCRIPTION	PART # / QTY
1	HOPPER GUARD PLATE	26136500
2	HOPPER RUBBER GUARD PANEL	26136600
3	FEED GATE CONTROL ROD	26132000
4	FLOW CONTROL STOP BRACKET	26133300 (2)
5	FLOW CONTROL STOP	26133400 (2)
6	FLOW CONTROL BRACKET	26133200
7	FEED BOX	26137800
8	DUST SHIELD ANGLE	26138700
9	OUTER DOWN SPOUT CHUTE LH	26190100
10	UPPER INTAKE SPOUT TRANSITION LH	26400400
11	INTAKE SPOUT	26139000 (6)
12	INNER DOWN SPOUT CHUTE LH	26190500
13	MID INTAKE SPOUT TRANSITION COVER	26150700 (2)
14	MID INTAKE SPOUT TRANSITION LH	26141700
15	LOWER INTAKE SPOUT TRANSITION COVER	26150800 (2)
16	LOWER INTAKE SPOUT TRANSITION LH	26139600
17	HOPPER SIGHT GLASS	26131700
18	FEED HOPPER	26130700
19	INTAKE CONTROL VALVE	26137300
20	COUNTERWEIGHT ROD	26135000 (2)
21	COUTNERWEIGHT	26134000 (2)
22	FEED BOX BRACE	26136100
23	SET COLLAR 1/2"	17960100
24	UPPER INTAKE SPOUT TRANSITION RH	26400500
25	INNER DOWN SPOUT CHUTE RH	26190600
26	MID INTAKE SPOUT TRANSITION RH	26141800
27	OUTER DOWN SPOUT CHUTE RH	26190200
28	LOWER INTAKE SPOUT TRANSITION RH	26139700

# #6 SIZE RIGHT® INTAKE END ASSEMBLY



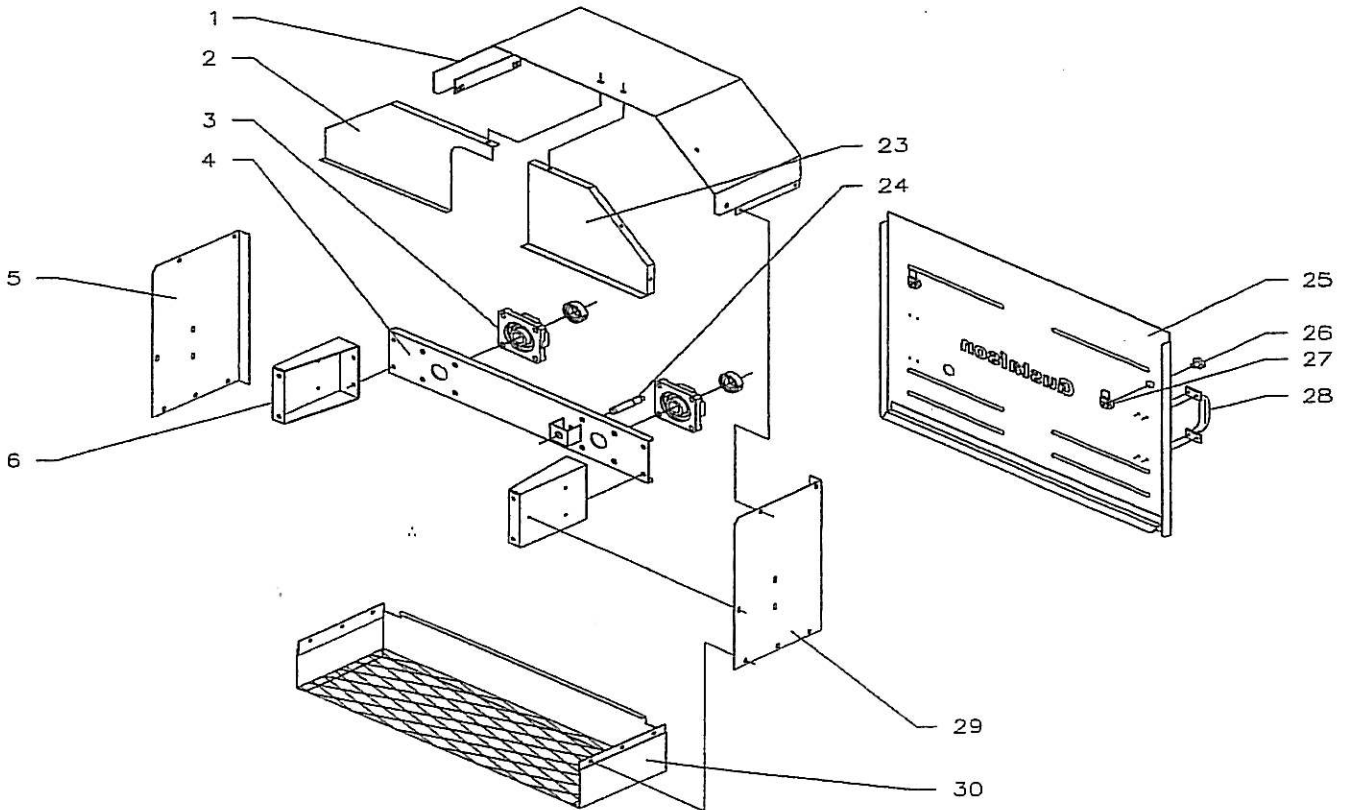
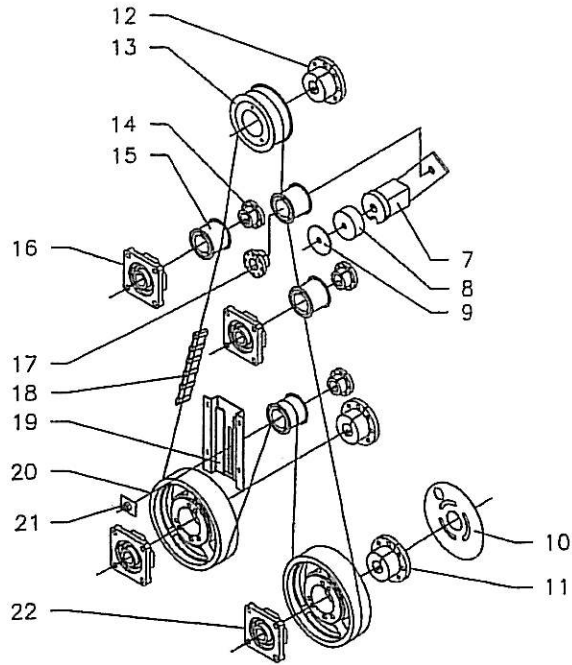
m:\operation,manuals,tech\boms\SZRT#246appendix  
01/01/99 - item 13, 14, 15, 16, 26 & 28 changed, drawing not affected

## #2 SIZE RIGHT® DRIVE END ASSEMBLY

REF	DESCRIPTION	PART #/ QTY
1	DRIVE GUARD HOOD	A049080
2	DRIVE GUARD HOOD PLATE LH	A049087
3	OUTER CYLINDER BEARING	P000075 (2)
4	OUTER BEARING/SENSOR SUPPORT PLATE	A049105
5	DRIVE GUARD UPPER SIDE PLATE LH	A049017
6	OUTER BEARING SUPPORT BRACKET	A049109 (2)
7	DRIVE TENSIONER	26170500
8	TENSIONER SPACER	A049153
9	TENSIONER SHIM 2.38"	26192000
10	TIMING PLATE	A310001
11	CYLINDER PULLEY BUSHING 1-1/4"	P000073 (2)
12	DRIVE PULLEY BUSHING 1"	P000063
13	DRIVE PULLEY	P000062
14	WIPER PULLEY BUSHING 1-3/16"	P000069 (2)
15	WIPER TENSIONER PULLEY	P000068 (4)
16	BEARING 4 HOLE FLANGE	P000080 (2)
17	TENSIONER INSERT w/ BEARING	P000071 (2)
18	DRIVE BELT	P000064
19	SHORT BELT TAKE-UP MOUNT	A049145
20	CYLINDER PULLEY	P000072 (2)
21	BELT TAKE-UP NUT PLATE	A049151
22	CYLINDER PULLEY BEARING	16490400 (2)
23	DRIVE GUARD HOOD PLATE RH	A049085
24	TIMING SENSOR	P000076
25	DRIVE GUARD DOOR #2	A049128
26	1/4- TURN FASTENER	32002100 (2)
27	1/4- TURN CAM	16570402 (2)
27A	1/4- TURN KEY (not shown)	32002200
28	GUARD DOOR PULL HANDLE	26210500 (2)
29	DRIVE GUARD UPPER SIDE PLATE RH	A049016
30	DRIVE GUARD BOTTOM	A049010



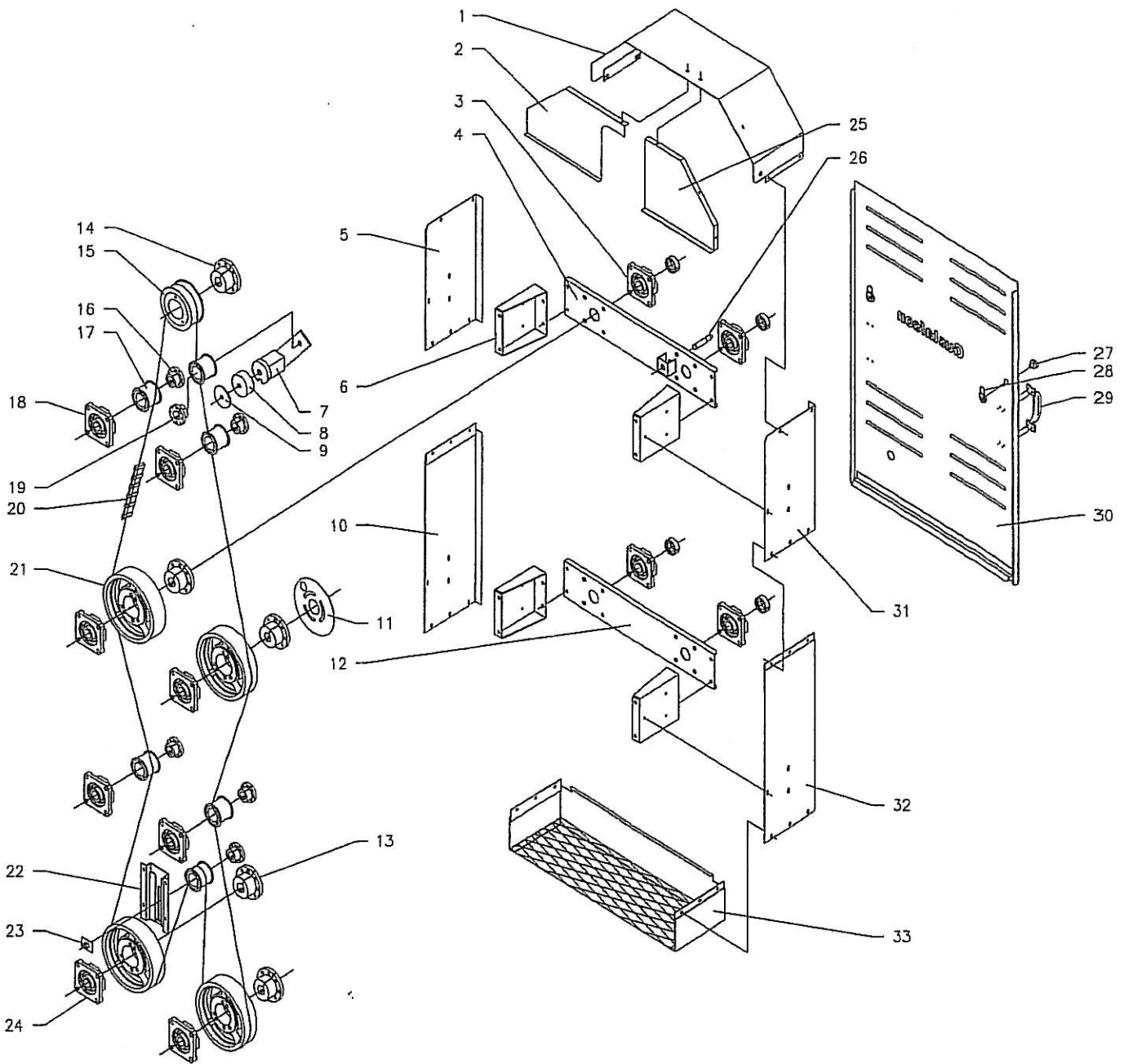
# #2 SIZE RIGHT® DRIVE END ASSEMBLY



## #4 SIZE RIGHT® DRIVE END ASSEMBLY

REF	DESCRIPTION	PART# / QTY
1	DRIVE GUARD HOOD	A049080
2	DRIVE GUARD PLATE LH	A049087
3	OUTER CYLINDER BEARING	P000075 (4)
4	OUTER BEARING/SENSOR SUPPORT PLATE	A049105
5	DRIVE GUARD UPPER SIDE PLATE LH	A049017
6	OUTER BEARING SUPPORT BRACKET	A049109 (4)
7	DRIVE TENSIONER	26170500
8	TENSIONER SPACER	A049153
9	TENSIONER SHIM 2.38"	26192000
10	DRIVE GUARD LOWER SIDE PLATE LH	A049018
11	TIMING PLATE	A310001
12	OUTER BEARING SUPPORT PLATE	A049104
13	CYLINDER PULLEY BUSHING 1-1/4"	P000073 (4)
14	DRIVE PULLEY BUSHING 1"	P000063
15	DRIVE PULLEY	P000062
16	WIPER PULLEY BUSHING 1-3/16"	P000069 (4)
17	WIPER TENSIONER PULLEY 18H200	P000068 (6)
18	BEARING 4 HOLE FLANGE	P000080 (4)
19	TENSIONER INSERT w/ BEARING	P000071 (2)
20	DRIVE BELT	P000065
21	CYLINDER PULLEY	P000072 (4)
22	SHORT BELT TAKE-UP MOUNT	A049145
23	BELT TAKE-UP NUT PLATE	A049151
24	CYLINDER PULLEY BEARING	16490400 (4)
25	DRIVE GUARD HOOD PLATE RH	A049085
26	TIMING SENSOR	P000076
27	1/4- TURN FASTENER	32002100 (2)
28	1/4- TURN CAM	16570402 (2)
28A	1/4- TURN KEY (not shown)	32002200
29	GUARD DOOR PULL HANDLE	26210500 (2)
30	DRIVE GUARD DOOR #4	A049124
31	DRIVE GUARD UPPER SIDE PLATE RH	A049016
32	DRIVE GUARD LOWER SIDE PLATE RH	A049013
33	DRIVE GUARD BOTTOM	A049010

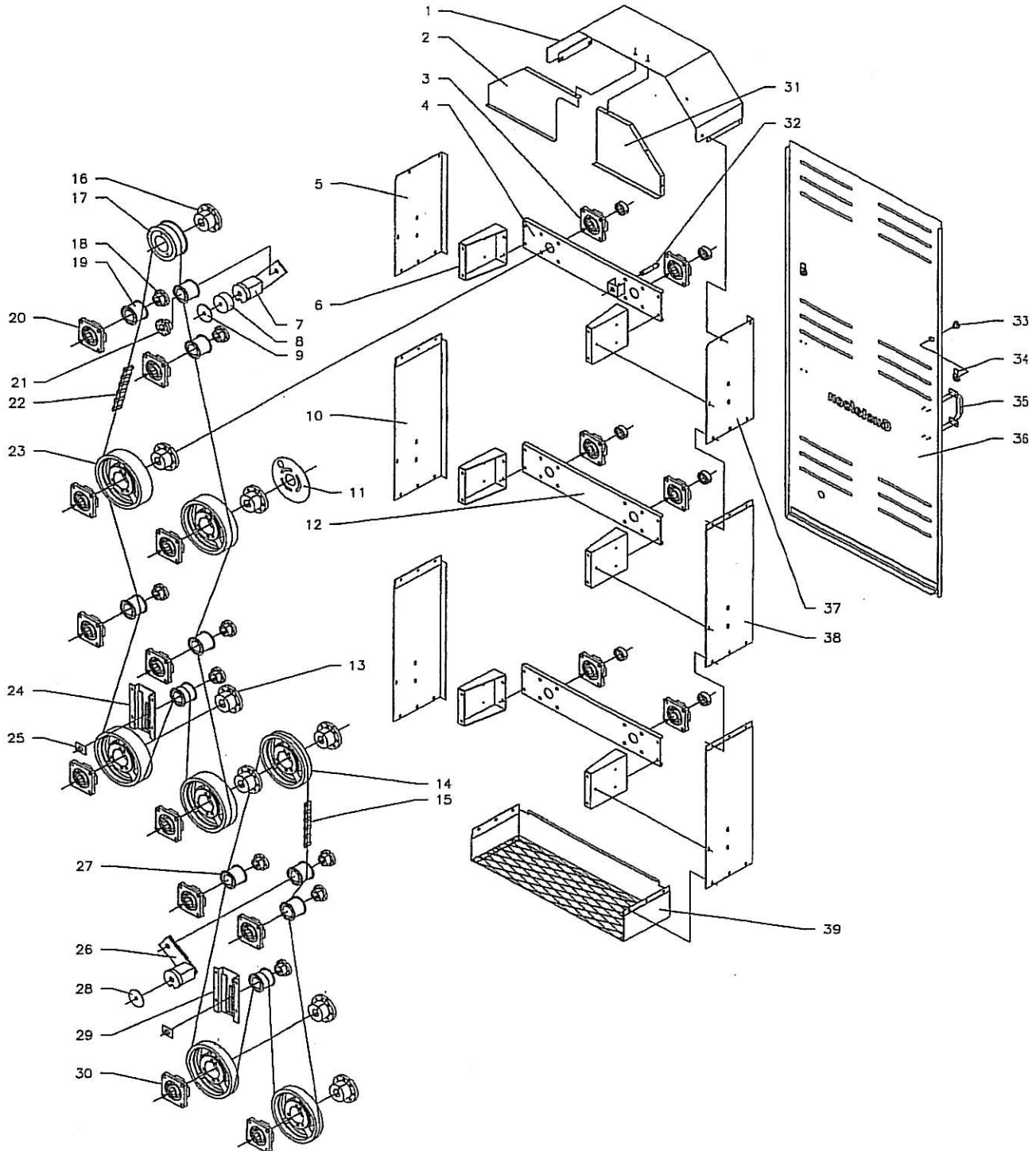
# #4 SIZE RIGHT® DRIVE END ASSEMBLY



## #6 SIZE RIGHT® DRIVE END ASSEMBLY

REF	DESCRIPTION	PART # / QTY
1	DRIVE GUARD HOOD	A049080
2	DRIVE GUARD HOOD PLATE LH	A049087
3	OUTER CYLINDER BEARING	P000075 (6)
4	OUTER BEARING/SENSOR SUPPORT PLATE	A049105
5	DRIVE GUARD UPPER SIDE PLATE LH	A049017
6	OUTER BEARING SUPPORT BRACKET	A049109 (6)
7	DRIVE TENSIONER	26170500
8	TENSIONER SPACER	A049153
9	TENSIONER SHIM 2.38"	26192000
10	DRIVE GUARD LOWER SIDE PLATE LH	A049018 (2)
11	TIMING PLATE	A310001
12	OUTER BEARING SUPPORT PLATE	A049104 (2)
13	CYLINDER PULLEY BUSHING 1-1/4"	P000073 (7)
14	LOWER CYLINDER PULLEY	P000074 (3)
15	LOWER DRIVE BELT	P000066
16	DRIVE PULLEY BUSHING 1"	P000063
17	DRIVE PULLEY	P000062
18	WIPER PULLEY BUSHING 1-3/16"	P000069 (6)
19	WIPER TENSIONER PULLEY	P000068 (6)
20	BEARING 4 HOLE FLANGE	P000080 (6)
21	TENSIONER INSERT w/ BEARING	P000071 (3)
22	UPPER DRIVE BELT	P000065
23	UPPER CYLINDER PULLEY	P000072 (4)
24	SHORT BELT TAKE-UP MOUNT	A049145
25	BELT TAKE-UP NUT PLATE	A049151 (2)
26	DRIVE TENSIONER, LOWER	P000226
27	LOWER WIPER TENSIONER PULLEY	P000067 (4)
28	TENSIONER SHIM 3"	26192100
29	LONG BELT TAKE-UP MOUNT	A049141
30	CYLINDER PULLEY BEARING	16490400 (6)
31	DRIVE GUARD HOOD PLATE RH	A049085
32	TIMING SENSOR	P000076
33	1/4- TURN FASTENER	32002100 (2)
34	1/4- TURN CAM	16570402 (2)
34A	1/4- TURN KEY (not shown)	32002200
35	GUARD DOOR PULL HANDLE	26210500 (2)
36	DRIVE GUARD DOOR #6	A049126
37	DRIVE GUARD UPPER SIDE PLATE RH	A049016
38	DRIVE GUARD LOWER SIDE PLATE RH	A049013 (2)
39	DRIVE GUARD BOTTOM	A049010

# #6 SIZE RIGHT® DRIVE END ASSEMBLY

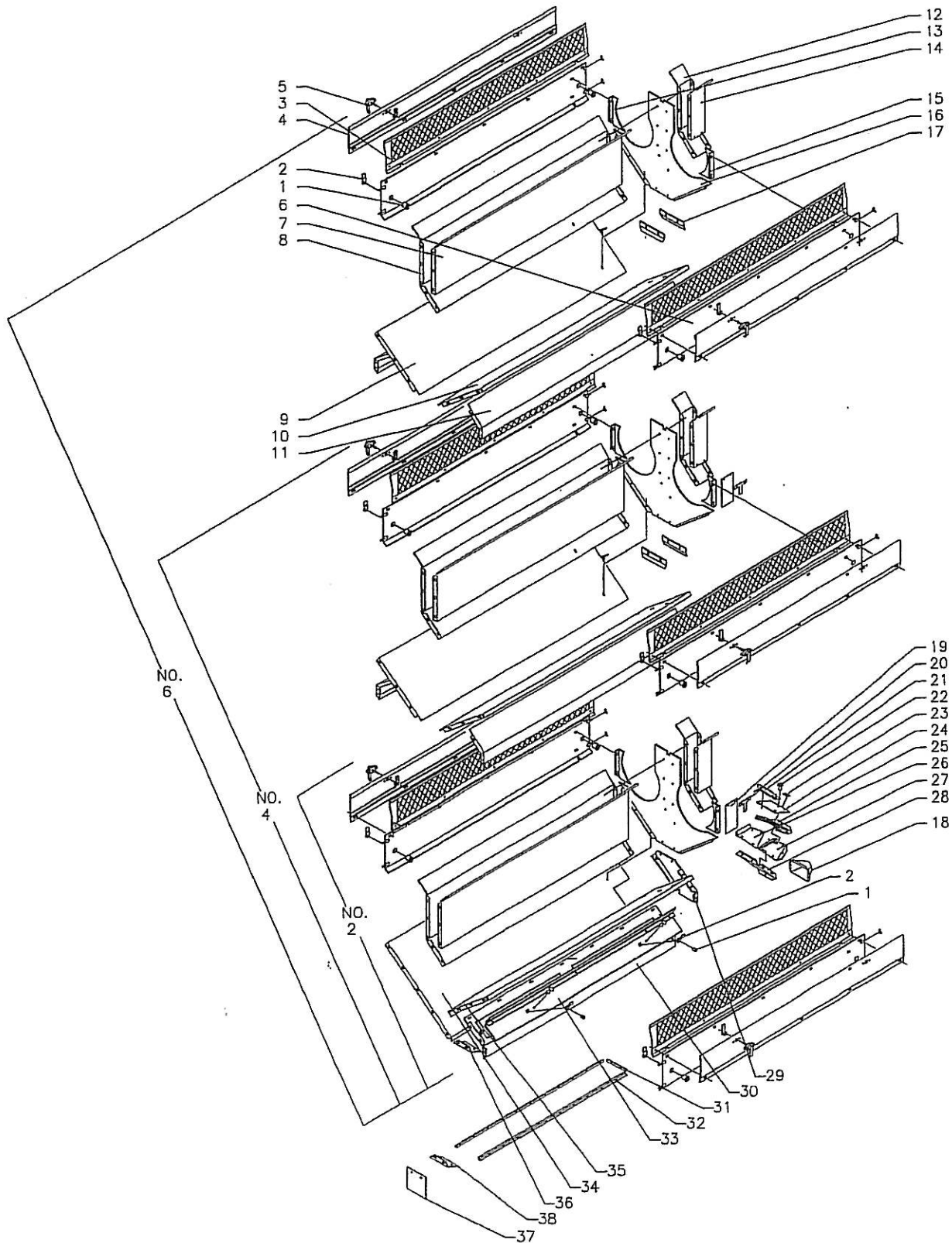


**#2, #4 and #6 SIZE RIGHT®  
INTERNAL BODY ASSEMBLY**

REF	DESCRIPTION	#2	#4	#6
*	QUARTER TURN KEY (not shown)	32002200	32002200	32002200
1	QUARTER TURN FASTENER	32002100 (6)	32002100 (10)	32002100 (14)
2	QUARTER TURN CAM	16570402 (6)	16570402 (10)	16570402 (14)
3	CYLINDER GUARD	26114000 (2)	26114000 (4)	26114000 (6)
4	SIDE DOOR	26113000 (2)	26113000 (4)	26113000 (6)
5	HANDLE, NON-LOCKING (cam included)	A049052 (4)	A049052 (8)	A049052 (12)
6	SIDE PANEL	A049020 (2)	A049020 (4)	A049020 (6)
7	DEFLECTOR PLATE "THRUS"	26117000	26117000 (2)	26117000 (3)
8	DEFLECTOR BAFFLE PLATE "THRUS"	26116000	26116000 (2)	26116000 (3)
9	BOTTOM PLATE, UPPER HOPPER	N/A	26121400	26121400 (2)
10	BOTTOM PLATE, UPPER HOPPER	N/A	26121300	26121300 (2)
11	MODULE SIDE PLATE	N/A	26191000 (2)	26191000 (4)
12	DEFLECTOR BAFFLE PLATE "OVERS"	26118000	26118000 (2)	26118000 (3)
13	PARTITION PLATE EXTENSION	26124100	26124100 (2)	26124100 (3)
14	DEFLECTOR PLATE "OVERS"	26119000	26119000 (2)	26119000 (3)
15	PARTITION PLATE EXTENSION	26124200	26124200 (2)	26124200 (3)
16	PARTITION PLATE	26125000	26125000 (2)	26125000 (3)
17	INTERIOR DEFLECTOR PLATE	N/A	26190000 (2)	26190000 (4)
18	OVERS DISCHARGE TRANSITION	26125500	26125500	26125500
19	PRODUCT BAFFLE "OVERS"	N/A	26119100	26119100 (2)
20	PRODUCT BAFFLE BRACKET "OVERS"	N/A	26119200	26119200 (2)
21	HINGE, "OVERS" INSPECTION DOOR	26127000	26127000	26127000
22	KNOB	30200100 (3)	30200100 (3)	30200100 (3)
23	SNAP LOCK TAB	18190100	18190100	18190100
24	INSPECTION DOOR "OVERS"	30210500	30210500	30210500
25	TOP DISCHARGE SPOUT	26128200	26128200	26128200
26	DISCHARGE SPOUT	26129200	26129200	26129200
27	DISCHARGE SPOUT	26129100	26129100	26129100
28	BOTTOM DISCHARGE SPOUT	26128100	26128100	26128100
29	END PLATE "THRUS" HOPPER	A049134	A049134	A049134
30	DISCHARGE PLATE	A155001	A155001	A155001
31	SHORT ANGLE MOUNT "THRUS"	26143100	26143100	26143100
32	LONG ANGLE MOUNT "THRUS"	26143200 (2)	26143200 (2)	26143200 (2)
33	INSPECTION DOOR	A155004	A155004	A155004
34	BOTTOM PLATE, LOWER HOPPER	26120200	26120200	26120200
35	BOTTOM PLATE, LOWER HOPPER	26121100	26121100	26121100
36	END DEFLECTOR (with conveyor)	26142000	26142000	26142000
37	FLOW CONTROL (with conveyor)	26142200	26142200	26142200
38	END DEFLECTOR (with conveyor)	26142100	26142100	26142100



# #2, #4 and #6 SIZE RIGHT® INTERNAL BODY ASSEMBLY

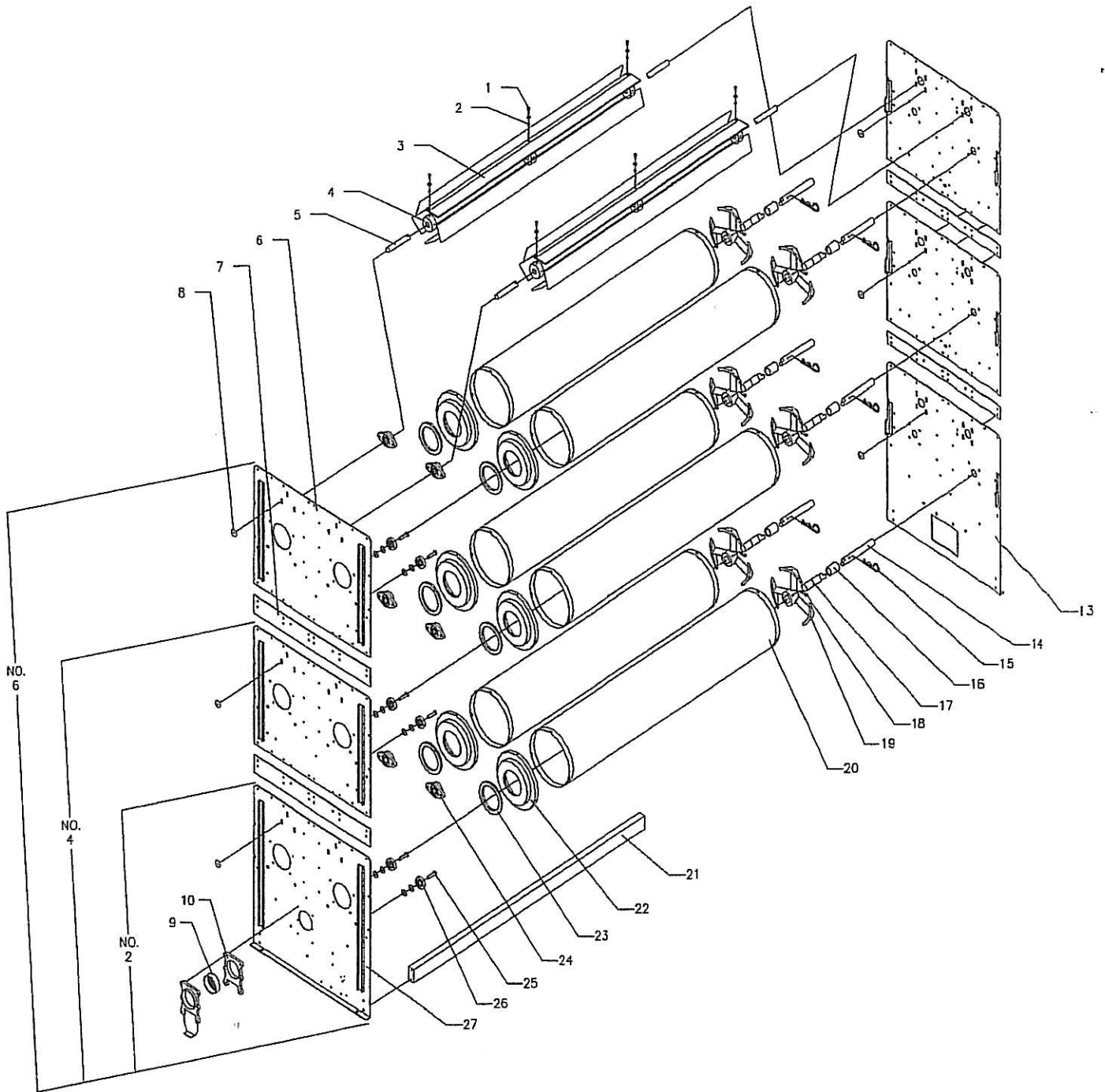


## #2, #4 AND #6 SIZE RIGHT® CYLINDER ASSEMBLY

REF	DESCRIPTION	#2	#4	#6
1	WIPER BOLT	26147500 (30)	26147500 (60)	26147500 (90)
2	WIPER BOLT SPACER	26147600 (30)	26147600 (60)	26147600 (90)
3	WIPER BLADE	26148100 (10)	26148100 (20)	26148100 (30)
4	WIPER BLADE HUB	26147100 (6)	26147100 (12)	26147100 (18)
5	WIPER SHAFT	A049100 (2)	A049100 (4)	A049100 (6)
6	FEED END PLATE	N/A	A049136	A049136 (2)
7	FEED END SPLICE PLATE	N/A	26188000	26188000 (2)
8	WIPER MOUNT FENDER WASHER	26190800 (12)	26190800 (24)	26190800 (36)
9	AIR SLIDE SCREEN	A049156	A049156	A049156
10	FULL AIR GATE, ALUM.	A049250	A049250	A049250
11	DRIVE END PLATE	N/A	A049113	A049113 (2)
12	DRIVE END SPLICE PLATE	N/A	26189000	26189000 (2)
13	DRIVE END BASE PLATE	A049114	A049114	A049114
14	CYLINDER DRIVE SHAFT	A049103 (2)	A049103 (4)	A049103 (6)
* 15	QUICK DISCONNECT PIN	A049154 (2)	A049154 (4)	A049154 (6) ← w/cable
16	COUPLING COLLAR	26173600 (2)	26173600 (4)	26173600 (6)
17	SPIDER SHAFT	26173400 (2)	26173400 (4)	26173400 (6)
18	SQUARE HEAD SET SCREW	40100500 (4)	40100500 (8)	40100500 (12)
19	CYLINDER SPIDER	26173300 (2)	26173300 (4)	26173300 (6)
20	CYLINDER (part # varies by perf size)	2618XXXX (2)	2618XXXX (4)	2618XXXX (6)
21	BOTTOM RAIL	26143000 (2)	26143000 (2)	26143000 (2)
22	POLY INTAKE HUB	26146200 (2)	26146200 (4)	26146200 (6)
23	FELT INTAKE SEAL	26144000 (2)	26144000 (4)	26144000 (6)
24	WIPER SHAFT FEED END BEARING	P000079 (2)	P000079 (4)	P000079 (6)
25	TRUNNION BEARING BOLT	26179000 (4)	26179000 (8)	26179000 (12)
26	TRUNNION BEARING W/URETHANE	26177000 (4)	26177000 (8)	26177000 (12)
27	FEED END BASE PLATE	A049117	A049117	A049117



# #2, #4 AND #6 SIZE RIGHT® CYLINDER ASSEMBLY



## #2, #4 AND #6 SIZE RIGHT® CONVEYOR ASSEMBLY

REF #	DESCRIPTION	FEED TRANS.	DRIVE TRANS.
1	BEARING BRACKET RH	18263600	18263600
2	BEARING BRACKET LH	18263500	18263500
3	BEARING 3-HOLE FLANGE	18263700 (2)	18263700 (2)
5	MOTOR END PLATE	18264000	18264000
6	BOLT 5/8-18 x 1-1/4 UNF	18286000 (2)	18286000 (2)
7	CONNECTING BRACKET	18285000	18285000
8	HEX BUSHING	18287000	18287000
9	END BEARING, SMALL	18288000 (2)	18288000 (2)
10	CONNECTING SHAFT	18289200	18289200
11	TROUGH ARM RH	18284400	18284400
12	END BRACKET	18281000	18281000 (2)
13	DUST COVER	18271000	18271000
14	MOTOR 1/3HP 3-PHASE	20291200	20291200
15	MOTOR 1/3HP 1-PHASE	20291000	20291000
16	MOTOR MOUNT BRACKET	18238100	18238100
17	END BEARING, LARGE	18265000	18265000
18	ECCENTRIC BUSHING	18266000	18266000
19	COUNTERWEIGHT	18267000	18267000
20	MOTOR END COVER PLATE	18262200	18262200
21	ECCENTRIC SHAFT	18268000	18268000
22	DRIVE PULLEY	30670500	30670500
23	DRIVEN PULLEY	30670400	30670400
24	V-BELT	16430000	16430000
25	TROUGH GUARD RH	A049132	A049132
26	END BRACKET	18281100	N/A
27	TROUGH ARM LH	18284300	18284300
28	TROUGH GUARD LH	18272200	18272200
29	SIDE PANEL	18273000 (2)	18273000 (2)
30	SIDE STIFFENER	18275000	18275000
31	TROUGH	18282000	18282000
32A	DUST SEAL	8737 (6')	8737 (6')
32B	DUST SEAL	8738 (6')	8738 (6')
33	TROUGH SLIDE	18274000 (4)	18274000 (4)
34	HANGER BRACKET, UPPER	18277000 (4)	18277000 (4)
35	HANGER BRACKET, LOWER	18276000 (4)	18276000 (4)
36	FLEX MOUNT	18279000 (8)	18279000 (8)
37	HANGER	18278000 (4)	18278000 (4)
38	END PLATE	18270200	18270200
39	END PLATE COVER	18269000	18269000
40	CONNECTING SHAFT STUB BUSHING	18289300 (2)	18289300 (2)
41	PULLEY SHAFT COVER PLATE	18289500	18289500
42	GUARD LH	18265800	18265800
43	GUARD RH	18265900	18265900
44A	FEED END TRANSITION	18782300	N/A
44B	DRIVE END TRANSITION	N/A	18287600
	<b>COMPLETE ASSEMBLY</b>	<b>356</b>	<b>356</b>

# #2, #4 AND #6 SIZE RIGHT® CONVEYOR ASSEMBLY

