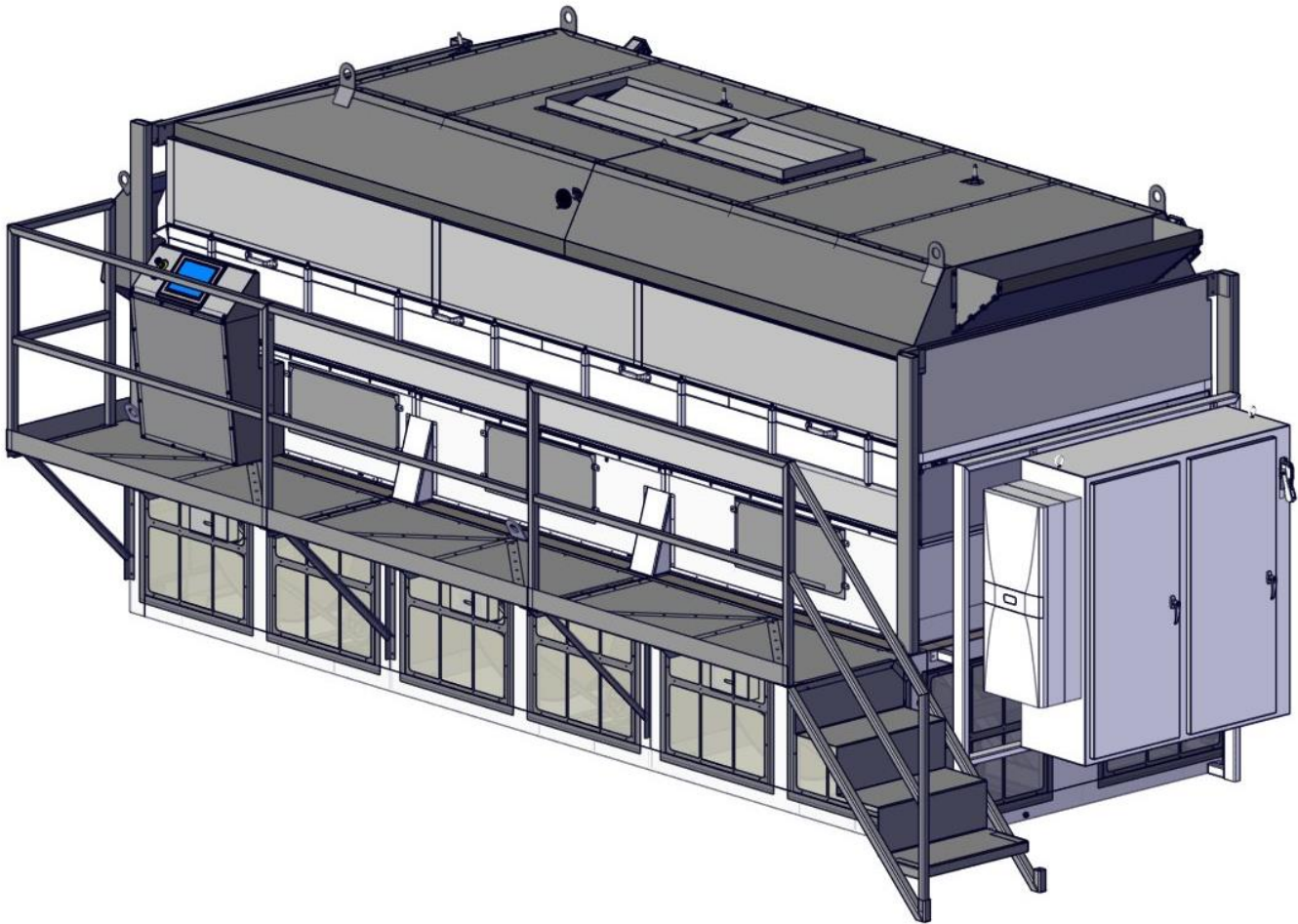


Oliver™

Innovate. Build. Repeat.



DVX616

Dryer

Version 1.0 | 10/03/24

Table of Contents

Contents

Flush Filter Assembly.....	3
Blower Assembly.....	4
Air Chest Assembly.....	6
Upper Section Assembly.....	8
Drive Base.....	9
Drive Section Assembly.....	10
Console.....	12
Hydraulic System Assembly.....	13
Deck Assembly.....	15
Dust Hood Assembly.....	18

Parts manual

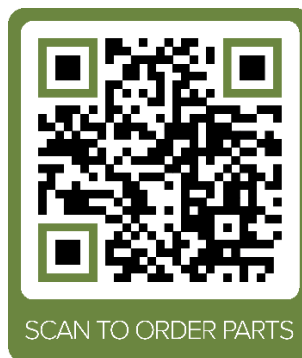
Welcome to the Maxi-Cap 616 Parts Manual!

We're thrilled to provide you with the comprehensive resources you need to maintain and service your equipment effectively. Whether you're seeking replacement parts or exploring upgrades, this manual assists you every step of the way.

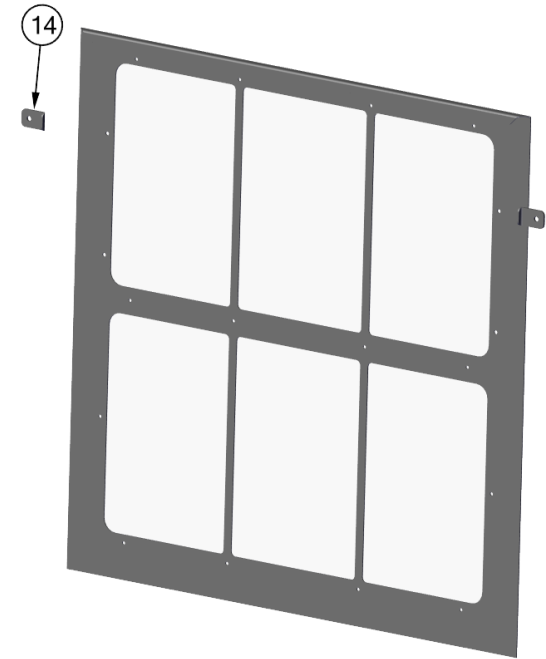
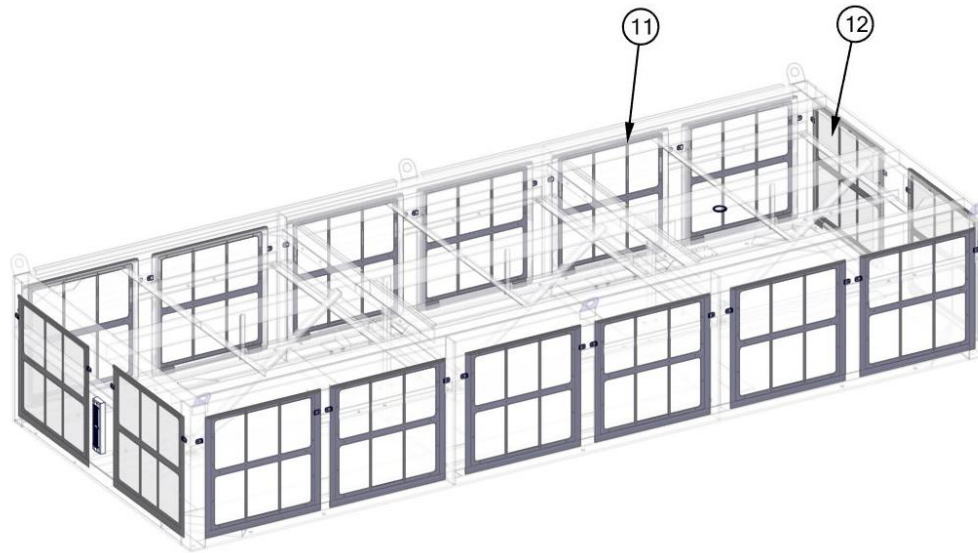
For your peace of mind, please note that the warranty covers all parts purchased through our authorized channels. This warranty ensures you receive top-quality components and supports your investment in the Maxi-Cap Model 616. For more warranty information, please read section 13 of our terms and conditions.

While this manual empowers you with the knowledge needed to order parts, we highly recommend that you have either a highly trained technician or an Oliver Manufacturing service technician install all parts. Proper installation not only ensures optimal performance but also maintains safety standards and extends the lifespan of your equipment.

Thank you for choosing Oliver Manufacturing. We're committed to supporting you in maximizing the efficiency and longevity of your Maxi-Cap Model 616. Should you have questions or require further help, please reach out to our dedicated team.

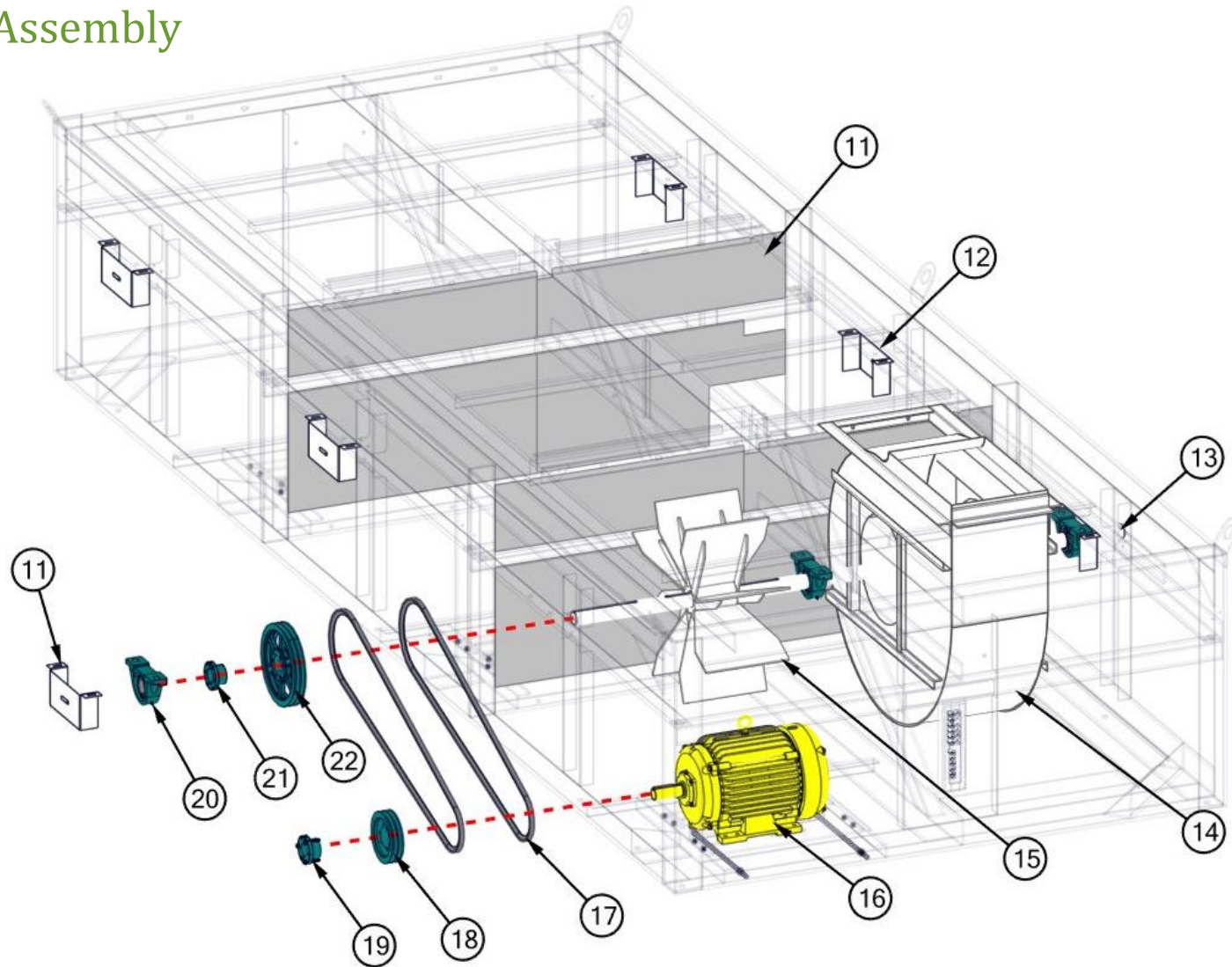


Flush Filter Assembly



Item #	Part #	Description	Qty.
11.	SAF004	M/C FLUSH FILTER COMPLETE 30" X 30"	12
	SAF007	M/C FILTER BLANK COMPLETE 30 X30 (FLUSH MOUNT)	12
12.	SAF003	M/C FLUSH FILTER COMPLETE 32" X 30"	4
	SAF006	M/C FILTER BLANK COMPLETE 32X30(FLUSH MOUNT)	4
13.	ZBT382	1/4Inch X 3/4Inch HEX CAP SCREW SAE (NOT SHOWN)	32
14.	AAAAF1011000	K-VOYAGER FLUSH FILTER CLAMP	32

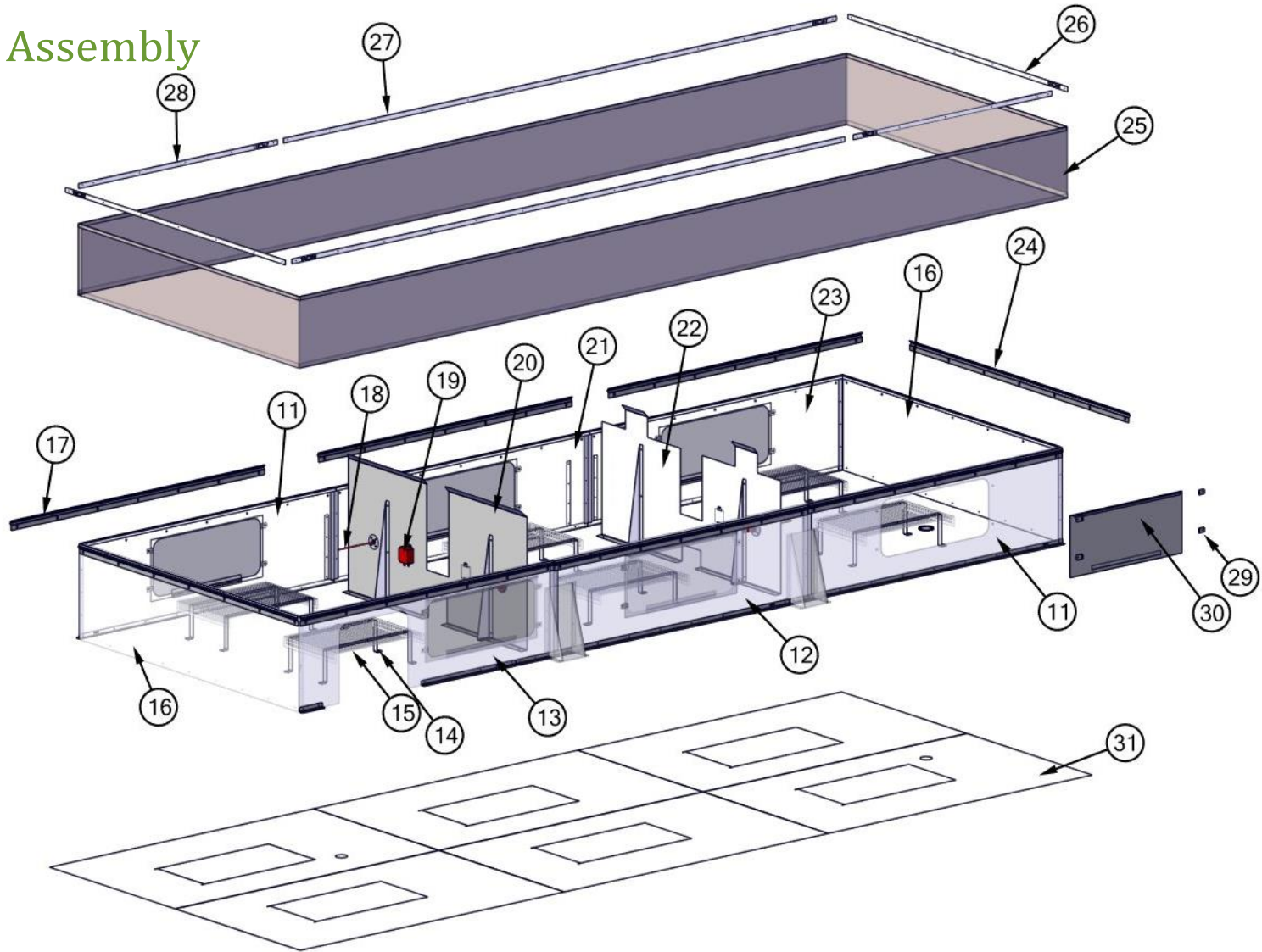
Blower Assembly



Blower Assembly

Item #	Part #	Description	Qty.
11	YBX400	#616 FBD MAINFRAME DIVIDER	2
12	SBF514	K-MAXI-CAP FAN SHAFT END GUARDS	6
13	TBF100	#605/616 FAN SHAFT	3
14	SBF201	PLATINUM MAXI-CAP FAN DRUM COMPLETE	6
15	SBF100	MAXI-CAP FAN WHEEL-COMPLETE	6
16	ZMT151	15HP 230/460/3/60 254T TEFC E-MOTOR (MFG ID - EM2333T)	3
17	ZBK205	5VX1000 BELT	6
18	ZBK910	2 GRV 5V 5.90SDS QD SHEAVE	3
19	ZBK980	SDS BUSHING 1 5/8Inch	3
20	ZBG220	2Inch PILLOW BLOCK BRG	9
21	ZBK920	2 GRV 5V 11.30SK QD SHEAVE	3
22	ZBK990	SK BUSHING 2Inch	3

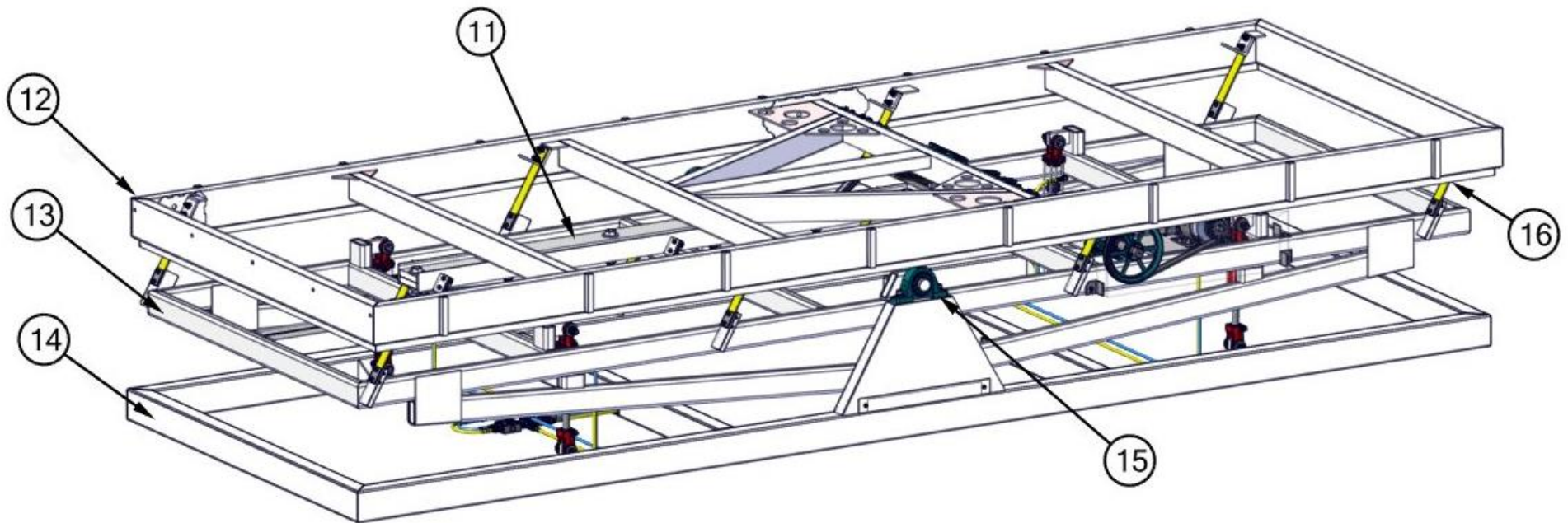
Air Chest Assembly



Air Chest Assembly

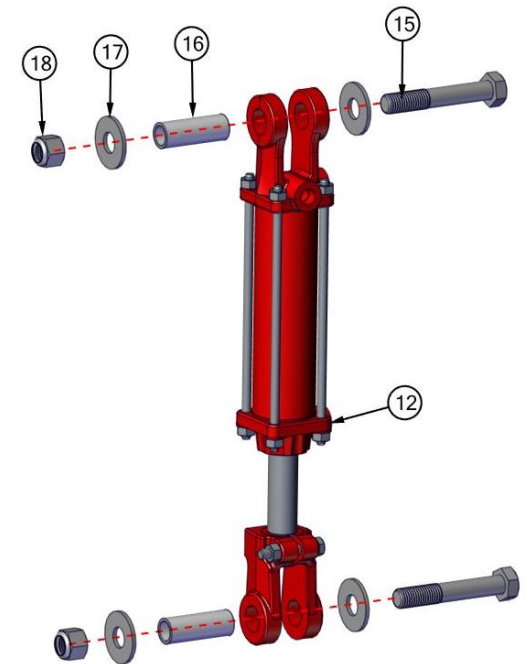
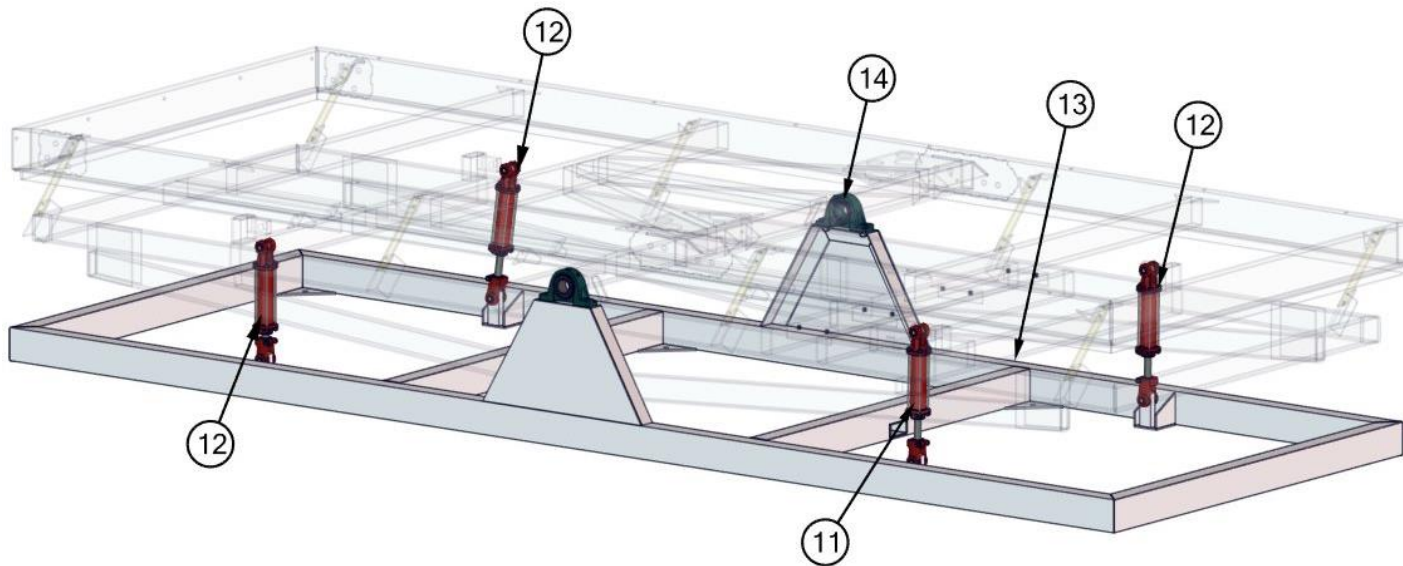
Item #	Part #	Description	Qty.
11	YAC558	616 AIR CHEST PANEL B1 WITH DOOR	2
12	YAC559	616FBD AIRCHEST PANEL C & C1 WITH DOOR	1
13	YAC556	616FBD AIR CHEST CONSOLE PANEL B WITH DOOR	1
14	SBF501	K-M/C AIR BAFFLE BRACKET	12
15	SBF503	K-M/C AIR BAFFLE 18Inch	6
16	YAC561	616FBD AIRCHEST PANEL A	2
17	YAC322	616 FBD SIDE AIRCHEST BOOT CLAMP	6
18	ZVS6370	TEMPERATURE SENSOR AB837T-N1N14B25A-D4	3
19	ZVS623	WATER RESISTANT HUMIDITY SENSOR	3
20	YAC191	616 DISC END AIR CHEST DIVIDER W/BRACE	1
21	YAC559	616FBD AIRCHEST PANEL C & C1 WITH DOOR	1
22	YAC192	616 FEED END AIR CHEST DIVIDER W/BRACE	1
23	YAC560	616FBD AIRCHEST PANEL D & D1 WITH DOOR	1
24	YAC321	616 FBD END AIRCHEST BOOT CLAMP	2
25	YAC320	616 FBD AC CORDURA BOOT (MODULAR DECK)	1
26	YAC312	616 A/C BOOT RETAINER/CARRAIGE 70 INCH	2
27	YAC310	616 A/C BOOT RETAINER/CARRAIGE 144IN	2
28	YAC311	616 A/C BOOT RETAINER 51.75IN	2
29	AAAAF1011000	K-VOYAGER FLUSH FILTER CLAMP	32
30	YAC562	616FBD AIR CHEST ACCESS DOOR	6
31	YBX250	#616 FBD BOX TOP	1

Upper Section Assembly



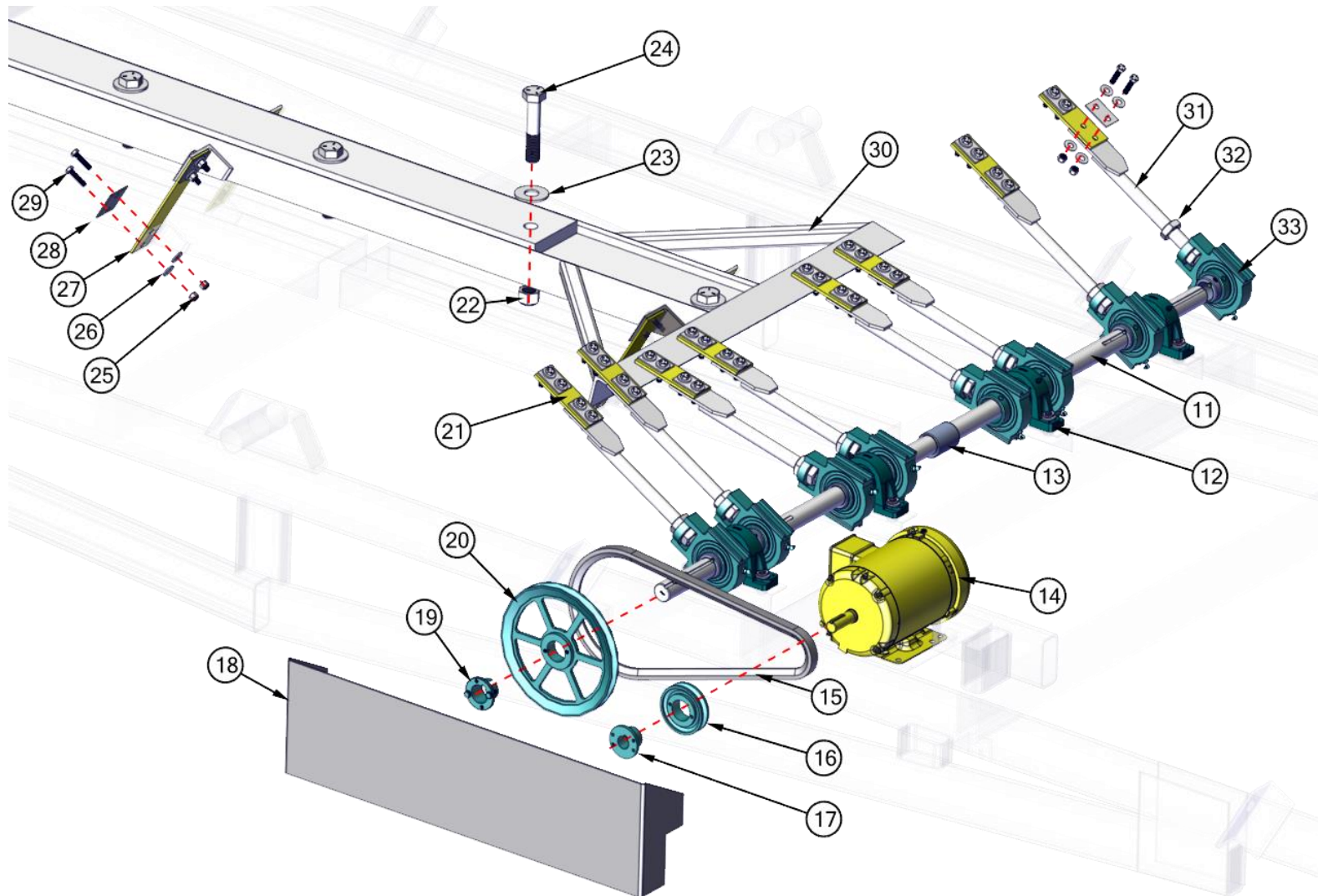
Item #	Part #	Description	Qty.
11	YEC301	#616 FBD C/W MOUNT ANGLE COMPLETE	1
12	YDK616	616 MODULAR DECK CARRIAGE	1
13	YEC103	#616 FBD DRIVE BASE	1
14	YSB103	#616 FBD SPRING BOARD ASSEMBLY	1
15	ZBG220	2Inch PILLOW BLOCK BRG	2
16	ZFG120	SCOTCHPLY - 2Inch X 13 1/2Inch - .195Inch	8

Drive Base



Item #	Part #	Description	Qty.
11	ZHY141	HYDRAULIC POSITION CYLINDER 2Inch X 6Inch	1
12	ZHY140	HYDRAULIC CYLINDERS 2 X 6	3
13	YEC103	#616 FBD DRIVE BASE	1
14	ZBG220	2Inch PILLOW BLOCK BRG	2
15	ZBT592	3/4Inch X 4 1/2Inch HEX CAP SCREW	8
16	SHY341	K-M/C HYDRAULIC CYL BUSHING (UHMW)	8
17	ZWA934	3/4Inch USS FLAT WASHER	16
18	ZNT750	3/4Inch NYLON INSERT LOCK NUT	8

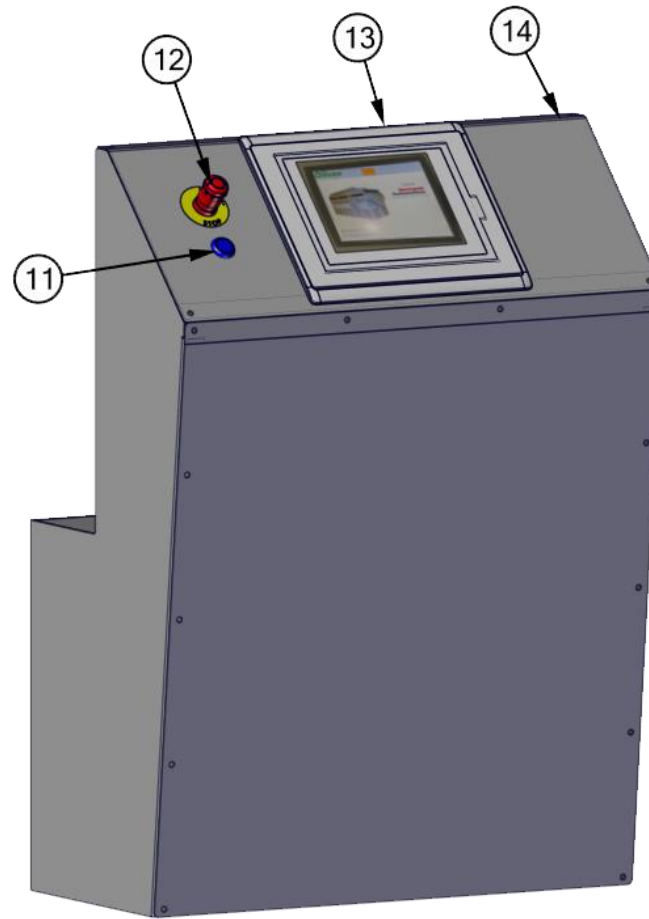
Drive Section Assembly



Drive Section Assembly

Item #	Part #	Description	Qty.
11	YEC351	#616 FBD ECCENTRIC SHAFT 1 7/16 Inch	1
12	ZBG211	1 7/16Inch PILLOW BLOCK BRG-SKWEZLOK	4
13	SEC350	M/C ECC HEART - COMPLETE 1/8 INCH THROW 1-7/16 INCH ID	8
14	ZMT005	2HP 230/460/3/60 145T E-MOTOR	1
15	ZBK248	B48 BELT	1
16	ZBK805	BK36H SHEAVE (H BUSHING REQD)	1
17	ZBK370	H BUSHING 7/8Inch	1
18	YVS509	#616 FBD VARISPEED MOTOR GUARD	1
19	ZBK901	H BUSHING 1 7/16Inch	1
20	ZBK810	BK100H SHEAVE (H BUSHING REQD)	1
21	ZFG130	SCOTCHPLY - 2Inch X 5 1/2Inch -.195Inch	8
22	ZNT981	1Inch SS NYLOCK NUTS	6
23	ZWA950	1Inch USS FLAT WASHER	6
24	ZBT595	1Inch X 5Inch HEX CAP SCREW	6
25	ZNT375	3/8Inch NYLON INSERT LOCK NUT	24
26	ZWA930	3/8Inch USS FLAT WASHER ZINC	50
27	ZFG125	SCOTCHPLY - 2Inch X 10 1/2Inch - .195Inch	6
28	SSB102	K-M/C SCOTCHPLY BACK PLATE 1 1/2 X 2 1/4	16
29	ZBT434	3/8Inch X 1 1/2Inch HEX CAP SCREW	25
30	YEC301	#616 FBD C/W MOUNT ANGLE COMPLETE	1
31	UEC340	K-M/C STONER DRIVE ROD COMPLETE	8
32	ZNT900	1Inch HEX JAM NUT	22
33	ZBG230	1 15/16Inch TAKE UP UNIT BRG	8

Console

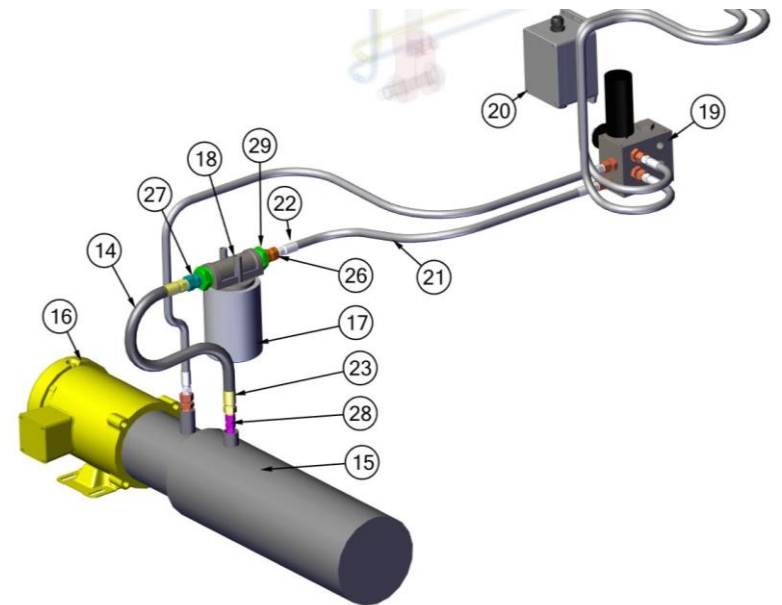
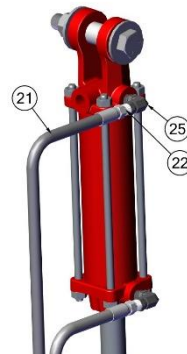
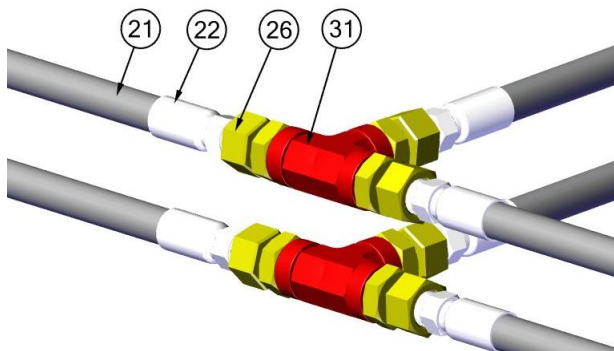
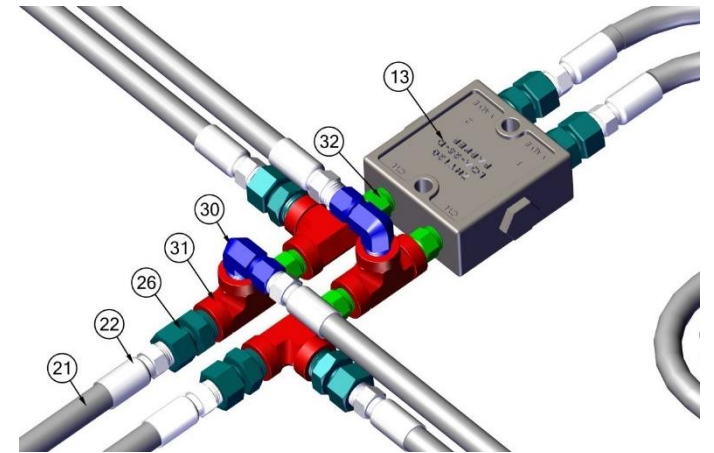


Item #	Part #	Description	Qty.
11	ZMTB244	CP111L-10 ABB PB RESET BLUE 1NO	1
12	ZMT977441	AB-800FP-MT44 22MM TWIST TO REL E-STOP	1
13	ZMT997211	AB-2711P-T10C22D9P PANELVIEW PLUS 7 GR	1
14	ZHY303	DVX616 CONSOLE COMPLETE (PV PLUS 7 10.4 SCREEN)	1

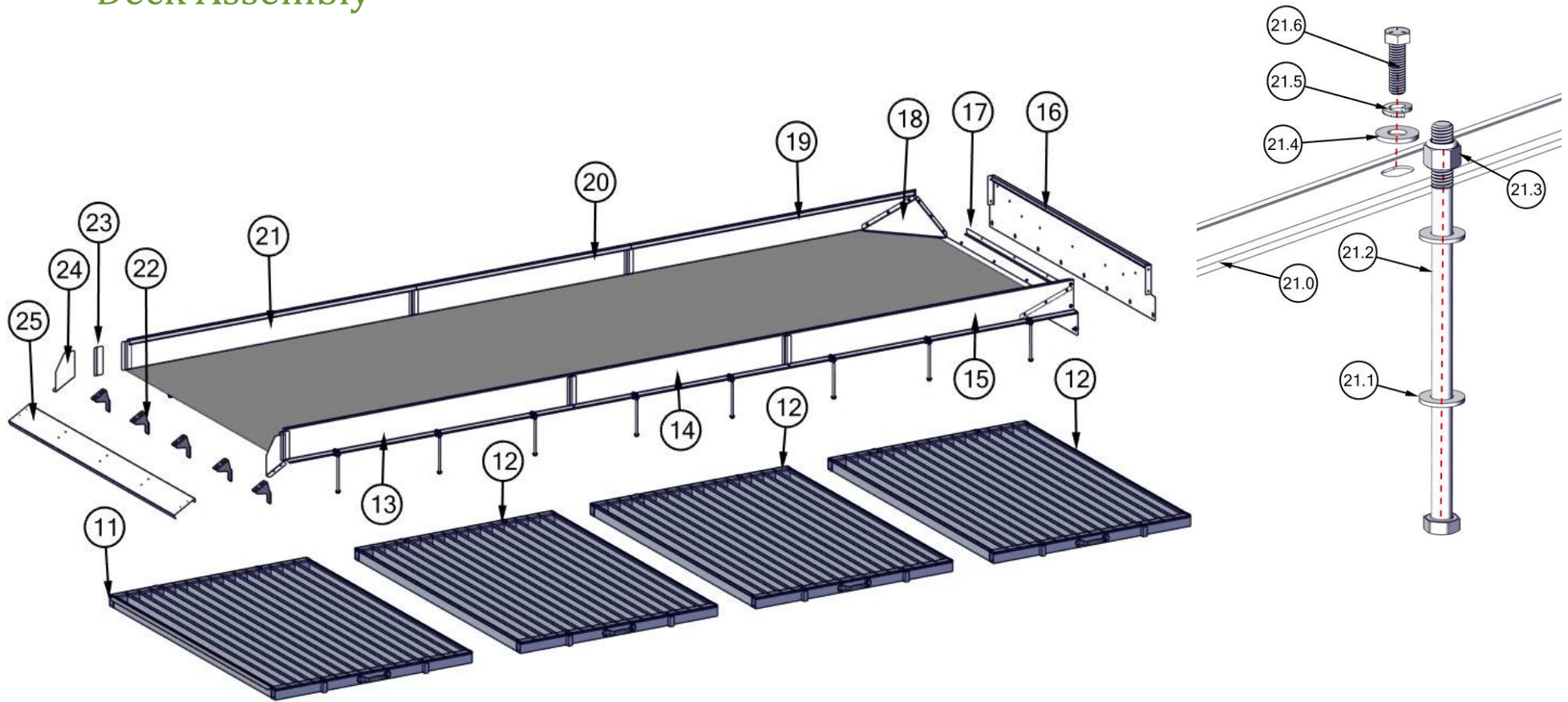
Parts manual

Hydraulic System Assembly

Item #	Part #	Description	Qty.
11	ZHY141	HYDRAULIC POSITION CYLINDER 2Inch X 6Inch	1
12	ZHY140	HYDRAULIC CYLINDERS 2 X 6	3
13	ZHY120	HYDRAULIC LOCK VALVE	1
14	ZHY310	HYDRAULIC 3/8Inch HOSE (6C1T/6G1)	ONLY -FILTER TO TANK
15	ZHY1011	HYDRAULIC TANK HEATER BLANKET	1
16	ZHY1021	HYDRAULIC PUMP MOTOR ONLY 1HP 230/460	1
17	ZHY151	HYDRAULIC FILTER ELEMENT	1
18	ZHY152	HYDRAULIC FILTER HEAD (ONLY)	1
19	ZHY123	1 STATION CUSTOM MANIFOLD VALVE, 24VOLT	1
20	SMT040	HYDRAULIC VALVE JUNCTION BOX COMPLETE	1
21	ZHY300	HYDRAULIC 1/4Inch HOSE (4C1T/4G1)	N/A
22	ZHY200	HYDRAULIC FITTING 04U-104	28
23	ZHY215	HYDRAULIC FITTING 06U-104	1
24	ZHY230	HYDRAULIC ADAPTER 6900-06-04	4
25	ZHY231	HYD FITTING 90° O RING 6901-06-04	8
26	ZHY240	HYDRAULIC ADAPTER 1404 6-4	9
27	ZHY250	HYDRAULIC ADAPTER 1404-06-06	1
28	ZHY260	HYDRAULIC ADAPTER 1404 4-4	1
29	ZHY295	HYD BUSHING 5406-16-06	2
30	ZHY28044	HYD FITTING 1501-04-04 90° DEG ELBOW	2
31	ZHY28544	PIPE TEE 5605-04-04-04	6
32	ZHY28644	HEX PIPE NIPPLE 5404-04-04	4



Deck Assembly



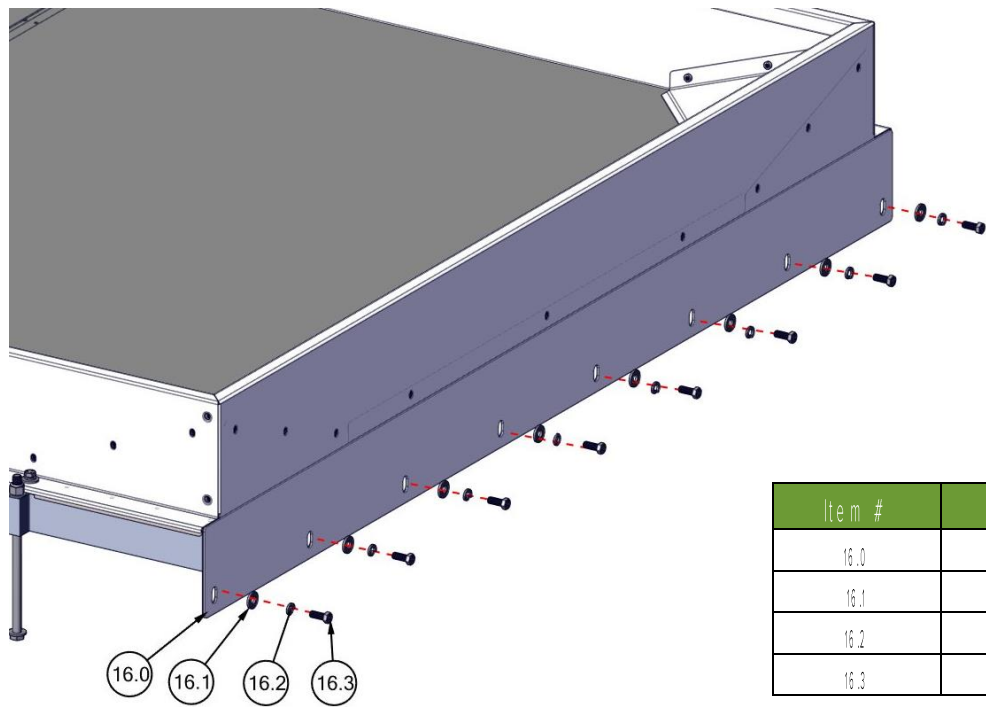
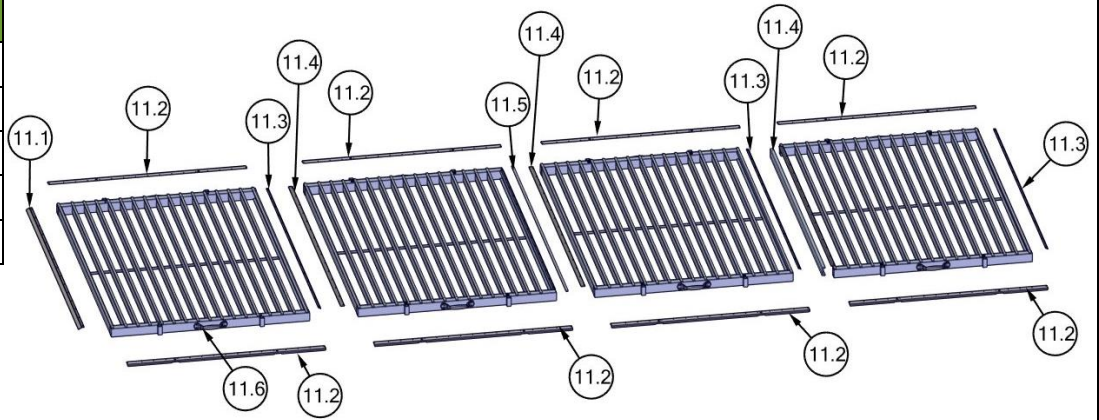
Item #	Part #	Description	Qty.
11	YMD008	GEN3 MOD DIS PANEL (SQ TUBE MOUNT)	1
12	YMD007	GEN3 MOD SQ TUBE MOUNT FEED PANEL	3
13	YRS306	616 MOD RAIL LH DE	1
14	YRS304	616 MOD RAIL LH MID	1
15	YRS302	616 MOD RAIL LH FE	1
16	YRS300	616 MOD RAIL FEED END	1
17	YRS307	616 MOD RAIL FEED END GAP COVER	1
18	YRS308	616 MOD RAIL CORNER BOARD	2
19	YRS301	616 MOD RAIL RH FE	1
20	YRS303	616 MOD RAIL RH MID	1
21	YRS305	616 MOD RAIL RH DE	1
22	SDK360069	K-MODULAR RAMP BRACKET	5
23	YRS309	616 MOD RAIL GUIDE PLATE	12
24	YRS311 (YRS312)	616 MOD RAIL STD LH APRON RAIL (RH)	1
25	YRS310	616 MOD RAIL STD DISCHARGE APRON	1

Item #	Part #	Description	Qty.
21.0	YRS305	616 MOD RAIL RH DE	1
21.1	ZWA9335	1/2Inch FLAT WASHER (SAE)	32
21.2	ZBT513	1/2" - 13 X 9.5" ZINC FINISH HEX BOLT	16
21.3	ZNT500	1/2Inch NYLON INSERT LOCK NUT	16
21.4	ZWA930	3/8Inch USS FLAT WASHER ZINC	16
21.5	ZWA957	3/8Inch MED SPLIT LOCKWASHER	16
21.6	ZBT432	3/8Inch X 1 1/4Inch HEX CAP SCREW	16

Deck Assembly

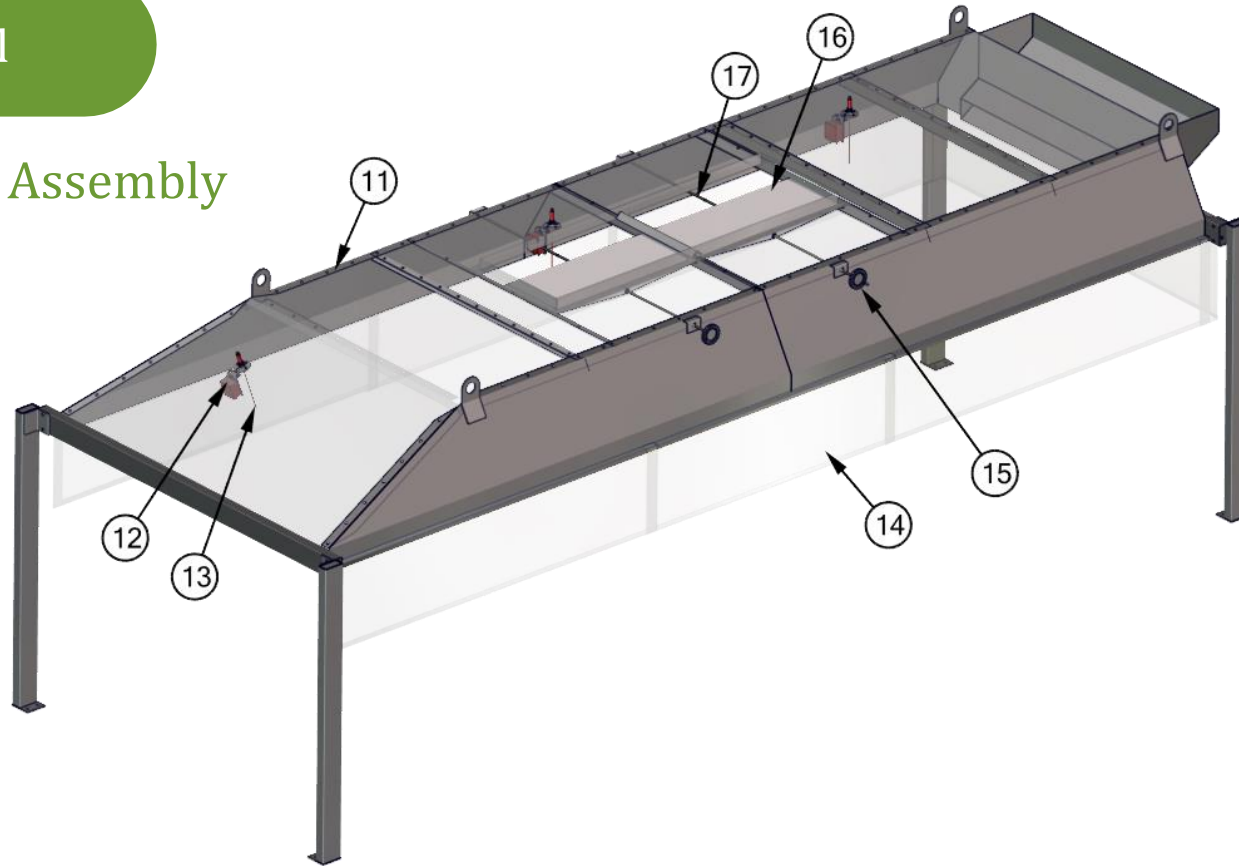
DVX616 Dryer

Item #	Part #	Description	Qty.
11.1	YMD203	616 MOD GEN3 PANEL LAP DISCHARGE	1
11.2	YMD211	616 MOD GEN3 SQ MOUNT PANEL SIDE CAP	8
11.3	YMD202	616 MOD GEN3 PANEL LAP	4
11.4	YMD205	616 MOD GEN3 PANEL LAP FLAT	3
11.5	ZDK001	DECK GRAB HANDLE	8



Item #	Part #	Description	Qty.
16.0	YRS300	616 MOD RAIL FEED END	1
16.1	ZWA930	3/8Inch USS FLAT WASHER ZINC	8
16.2	ZWA957	3/8Inch MED SPLIT LOCKWASHER	8
16.3	ZBT431	3/8Inch X 1Inch HEX CAP SCREW ZINC	8

Dust Hood Assembly



Item #	Part #	Description	Qty.
11	YDH101	#616 FULL DUST HOOD	1
12	ZVS623	WATER RESISTANT HUMIDITY SENSOR	3
13	ZVS6370	TEMPERATURE SENSOR AB837T-N1N14B25A-D4	3
14	YDH360	616DH BOOT GEN3 (W/CORDURA /VELCRO- NO CENTER GATE)	1
15	ZBF003	PLASTIC KNOB WITH RECIPROCAL HANDLE	2
16	YDH140	#616 DUST HOOD AIR GATE	2
17	YDH142	#616 DUST HOOD AIR GATE ROD	2

Page for service/training ad

OliverTM

Innovate. Build. Repeat.

Oliver Manufacturing Company • 27151 Harris Road • La Junta, CO 81050 •

(888) 254-7814

olivermanufacturing.com