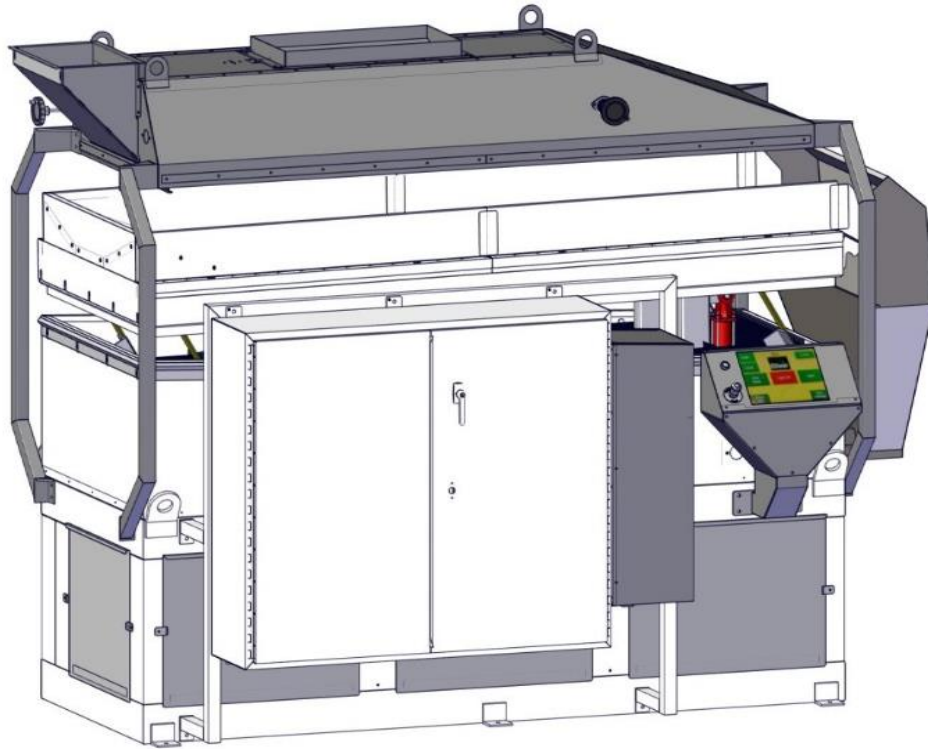


DVX307 - Dryer

Parts Manual



OliverTM

Innovate. Build. Repeat.

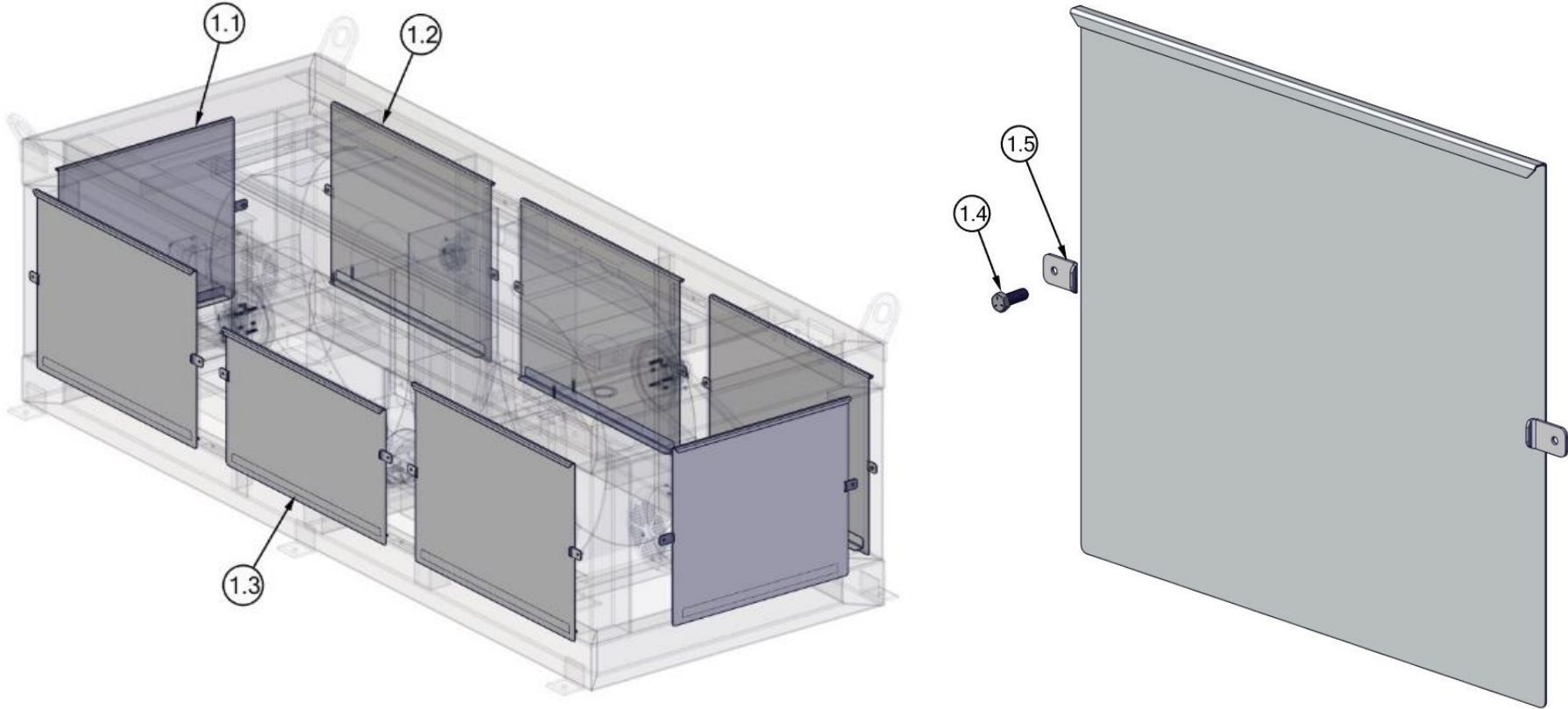
Contact Information:

Main Office and Production
27151 Harris Road
La Junta, CO 81050

Phone: 719-383-9880 | USA TOLL # 1-888-254-7813

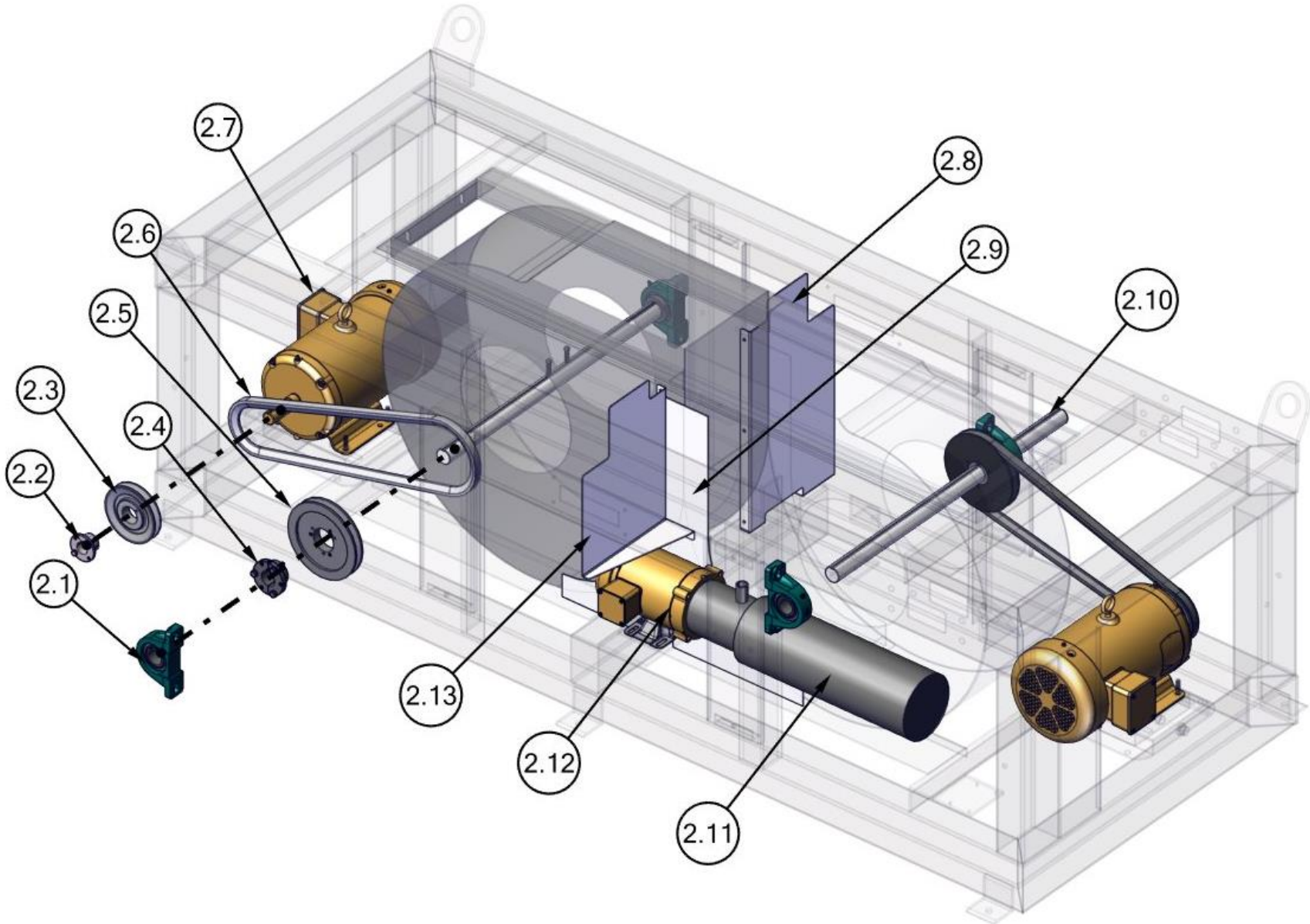
INTERNATIONAL +1.719.254.7813

1. DVX307 FLUSH FILTER ASSEMBLY



ITEM NO	PART NUMBER	DESCRIPTION	QTY
1.1	DDTAF004307	DVX307 DRYER END BLANK 21 1/2 Inch	2
1.2	DDTAF003307	DVX307 DRYER SIDE BLANK 25 3/4Inch	5
1.3	DDTAF229307	307 SIDE ROXTEC BLANK 25 3/4 X14.5 TALL	1
1.4	ZBT382	1/4Inch X 3/4Inch HEX CAP SCREW SAE	16
1.5	AAAAF1011000	K-VOYAGER FLUSH FILTER CLAMP	16

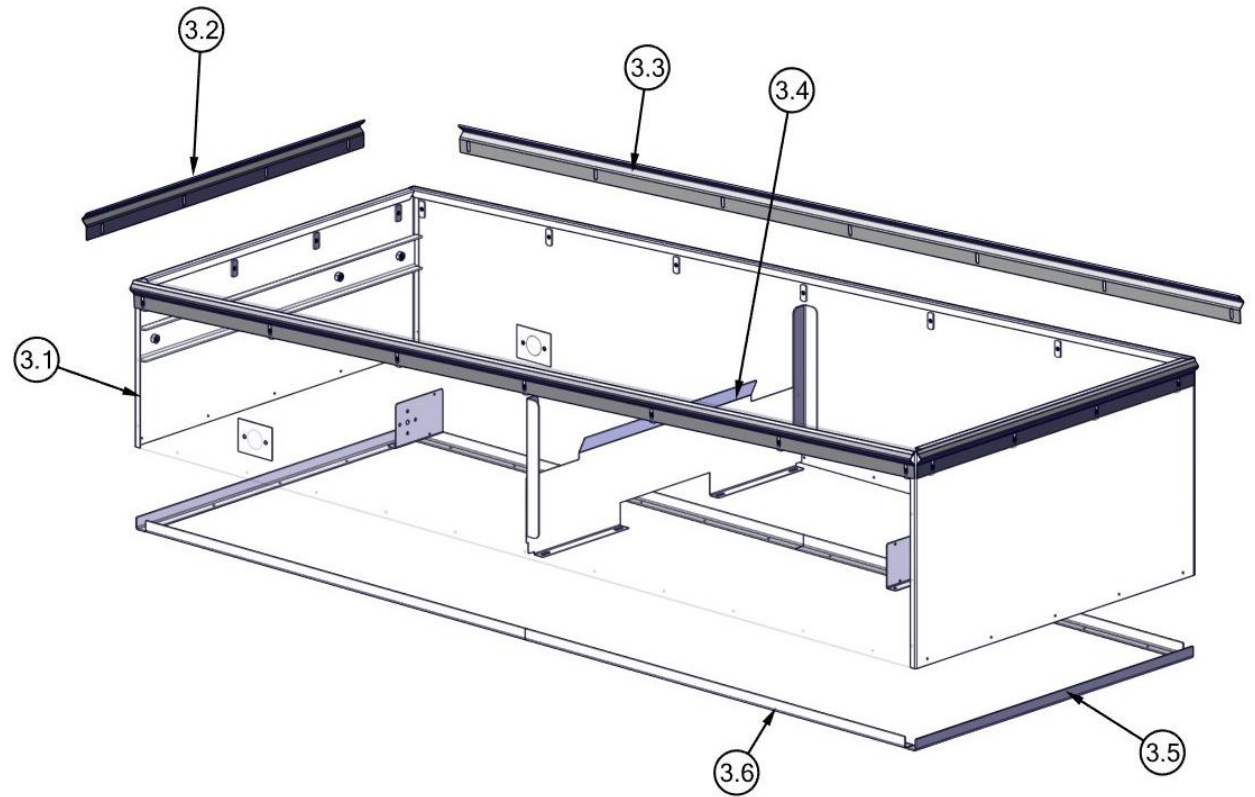
2. DVX307 BLOWER ASSEMBLY



2. DVX307 BLOWER ASSEMBLY

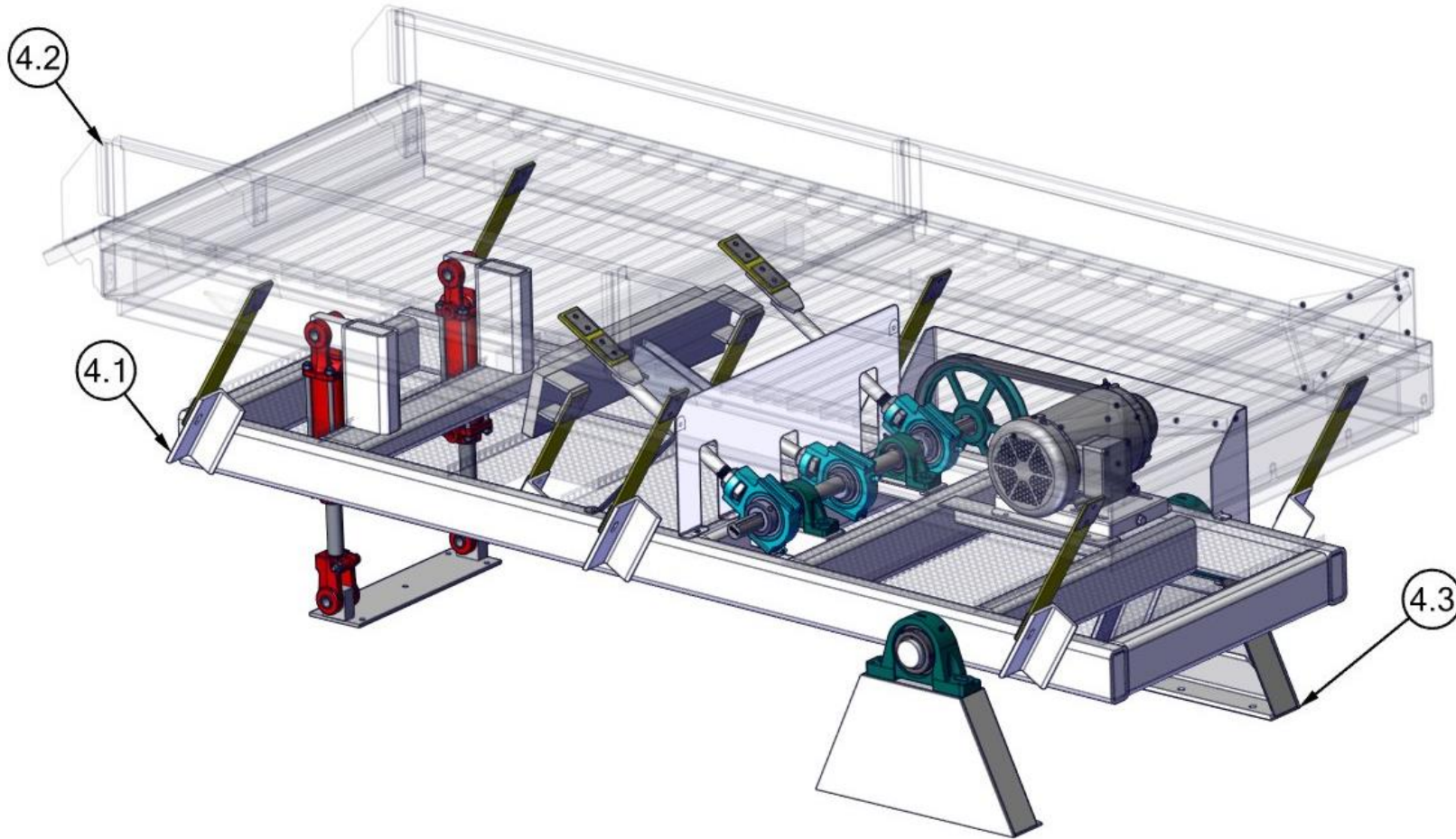
ITEM NO	PART NUMBER	DESCRIPTION	QTY
2.1	ZBG211	1 7/16Inch PILLOW BLOCK BRG-SKWEZLOK	4
2.2	ZBK373	H BUSHING 1 1/8Inch	2
2.3	ZBK906	BK55H SHEAVE (H BUSHING REQD)	2
2.4	ZBK979	SDS BUSHING 1 7/16Inch	2
2.5	ZBK957	B6.8 QD STANDARD SHEAVE (SDS)	2
2.6	ZBK257	B57 BELT	2
2.7	ZMT104	5HP 230/460/3/60 184T TEFC E-MOTOR	2
2.8	DDTBX102307	DVX307 BOTTOM DIVIDER FAN SIDE	1
2.9	DDTBX104307	DVX307 BOTTOM FAN DRUM DIVIDER	1
2.10	DDTBF100307	DVX307 DRYER FAN SHAFT	2
2.11	ZHY1011	HYDRAULIC PUMP ONLY (USE WITH 1HP)	1
2.12	ZHY1021	HYDRAULIC PUMP MOTOR ONLY 1HP 230/460	1
2.13	DDTBX101307	DVX307 BOTTOM DIVIDER PUMP SIDE	1
2.14	ZHY123	1 STATION CUSTOM MANIFOLD VALVE,24 VOLT(NOT SHOWN)	1
2.15	ZHY151	HYDRAULIC FILTER ELEMENT(NOT SHOWN)	1

3. DVX307 AIRCHEST ASSEMBLY



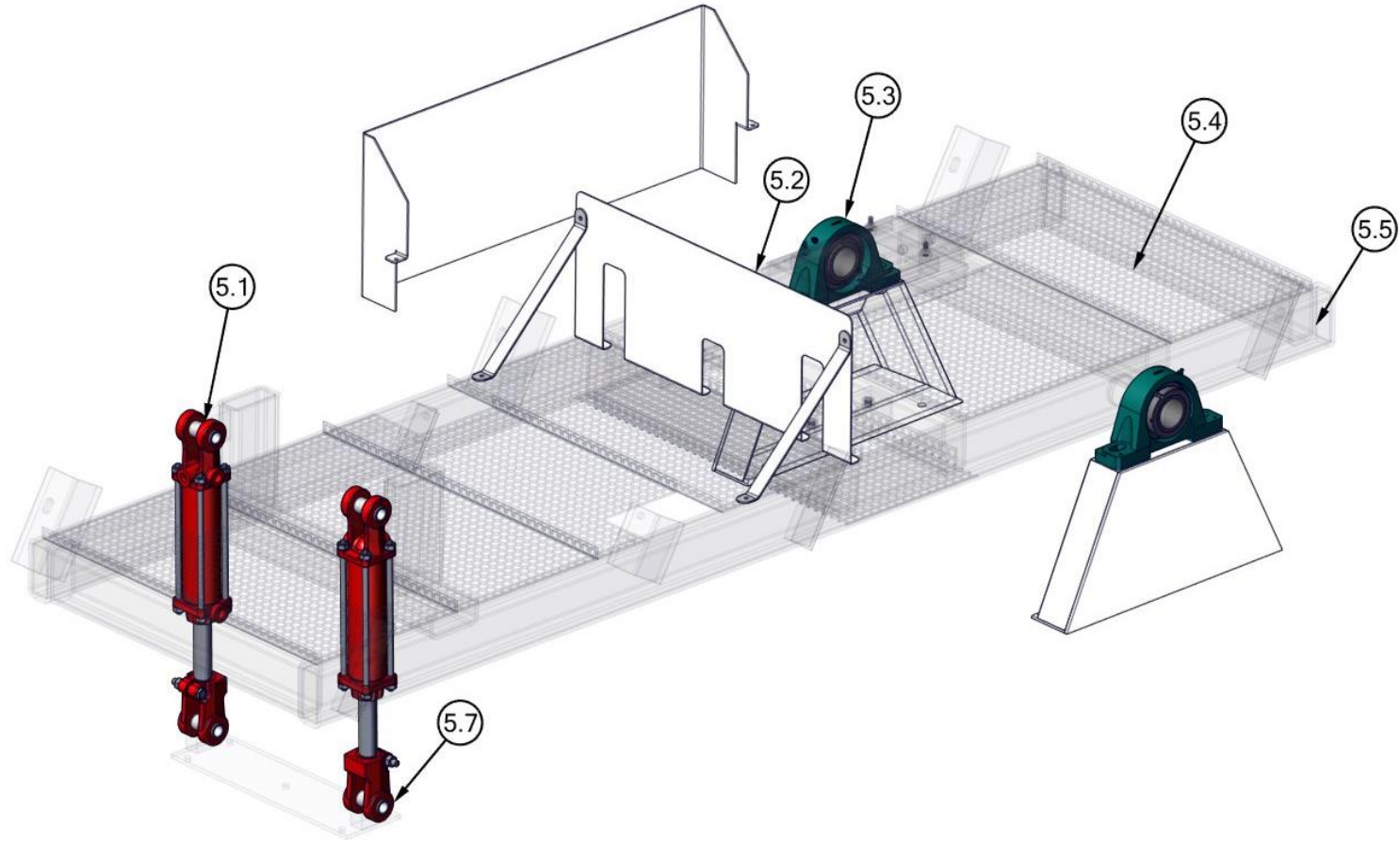
ITEM NO	PART NUMBER	DESCRIPTION	QTY
3.1	DDTAC001307	DVX307 AIRCHEST ASSEMBLY	1
3.2	DDTAC141307	DVX307 AIRCHEST END PANEL BOOT CLAMP	2
3.3	DDTAC142307	DVX307 AIRCHEST SIDE PANEL BOOT CLAMP	2
3.4	DDTAC105307	DVX307 DRYER UPPER SECTION DIVIDER	1
3.5	DDTAC108307	DVX307 AC END PANEL MOUNTING ANGLE	2
3.6	DDTAC107307	DVX307 AC SIDE PANEL MOUNTING ANGLE	4
3.7	DDTAC140307	AIR CHEST BOOT CORDURA (NOT SHOWN)	1
3.8	ZVS6370	TEMPERATURE SENSOR(NOT SHOWN)	1
3.9	ZVS623	WATER RESISTANT HUMIDITY SENSOR(NOT SHOWN)	1

4. DVX307 UPPER SECTION ASSEMBLY



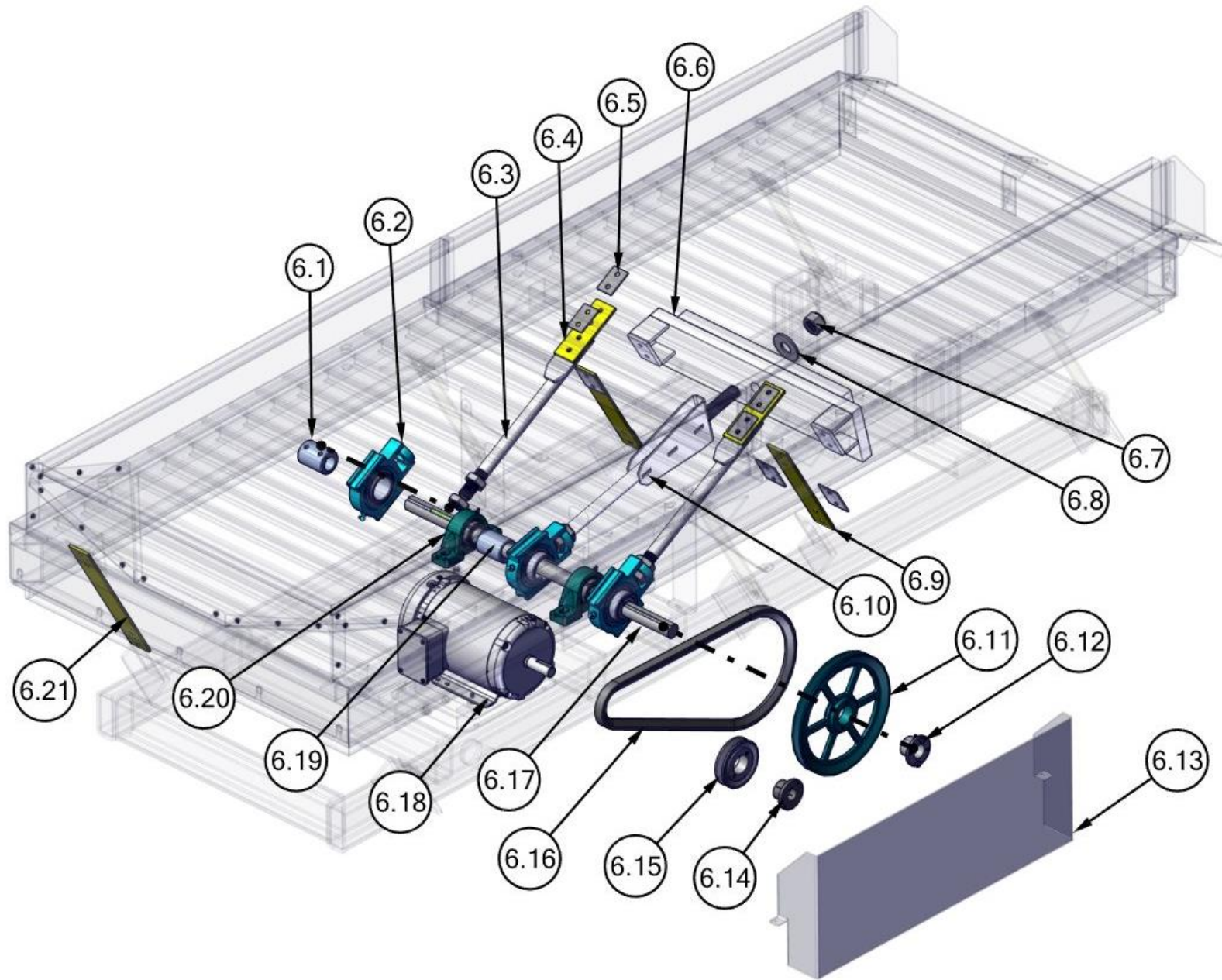
ITEM NO	PART NUMBER	DESCRIPTION	QTY
4.1	DDTEC101307	307 DUAL HYDRAULIC DRIVE SECTION FRAME	1
4.2	DDTDK011307	307 10 MESH SS GEN 3 MODULAR DECK	1
4.3	DDTEC150307	DVX307 DRYER ECC.BEARING MOUNT	2

5. DVX307 END RAISE



ITEM NO	PART NUMBER	DESCRIPTION	QTY
5.1	ZHY140	HYDRAULIC CYLINDERS 2 X 6	1
5.2	DDTEC105307	DVX307 DRYER UPPER SECTION DIVIDER	1
5.3	ZBG220	2Inch PILLOW BLOCK BRG	2
5.4	DDTBF025307	DVX307 DRYER BAFFLE KIT	1
5.5	DDTEC101307	307 DUAL HYDRAULIC DRIVE SECTION FRAME	1
5.6	ZHY141	HYDRAULIC POSITION CYLINDER 2Inch X 6Inch	1

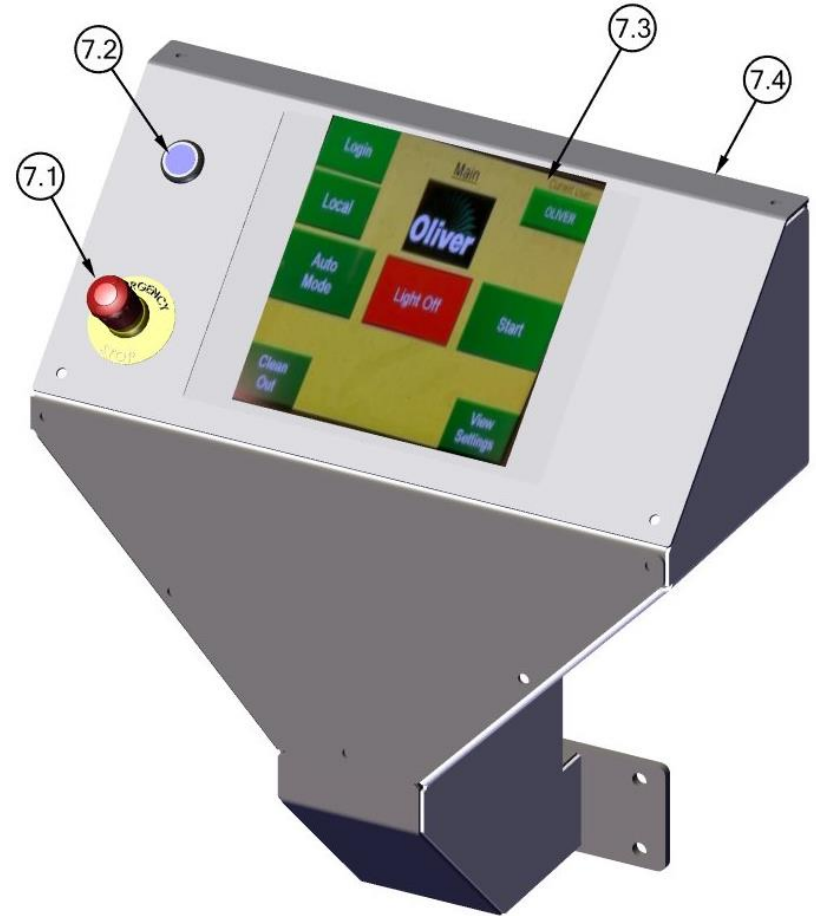
6. DVX307 DRIVE SECTION



6. DVX307 DRIVE SECTION

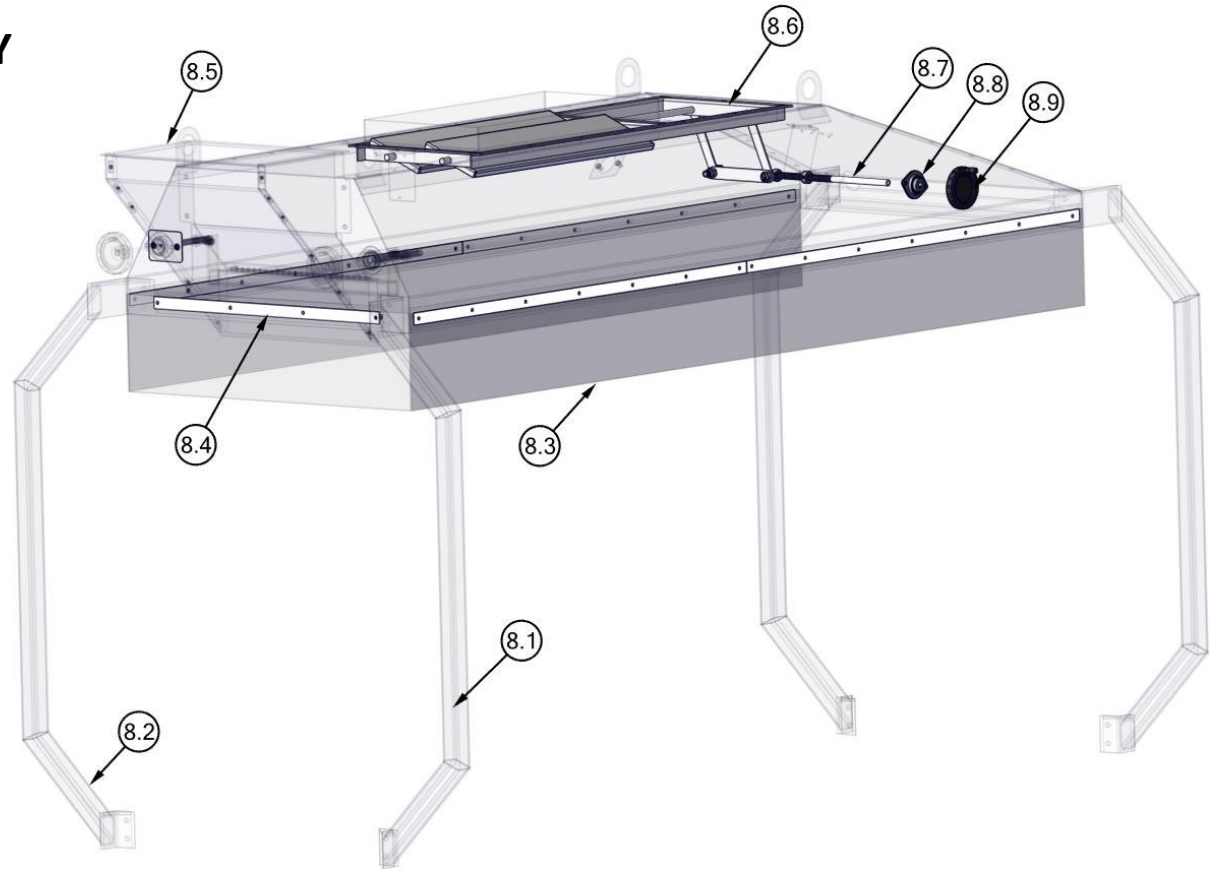
ITEM NO	PART NUMBER	DESCRIPTION	QTY
6.1	UEC510	K-H/C STONER HEART 1/8Inch TH (BORE/ETC)	2
6.2	ZBG230	1 15/16Inch TAKE UP UNIT BRG	3
6.3	SEC401	K-BLENDER ECC PUSH ROD	2
6.4	ZFG130	SCOTCHPLY - 2Inch X 5 1/2Inch -.195Inch	2
6.5	SSB102	K-M/C SCOTCHPLY BACK PLATE 1 1/2 X 2 1/4	20
6.6	DDTEC300307	307 DRYER C/W BAR WITH MOUNTS	1
6.7	ZNT510	1Inch NYLON INSERT LOCK NUT	1
6.9	ZFG125	SCOTCHPLY - 2Inch X 10 1/2Inch - .195Inch	2
6.10	DDTEC320307	307 CW PUSH ROD	1
6.11	ZBK810	BK100H SHEAVE (H BUSHING REQD)	1
6.12	ZBK374	H BUSHING 1 3/16Inch	1
6.13	DDTEC225307	DVX307 ECC DRIVE GUARD	1
6.14	ZBK370	H BUSHING 7/8Inch	1
6.15	ZBK805	BK36H SHEAVE (H BUSHING REQD)	1
6.16	ZBK248	B48 BELT	1
6.17	DDTEC350307	DVX307 DRYER ECCENTRIC SHAFT	1
6.18	ZMT016	1 1/2HP 230/460/3/60 145T E MOTOR	1
6.19	UEC525	M/C STONER HEART 1/4InchTH (BORE/ETC)	1
6.20	ZBG118	1 3/16Inch PILLOW BLOCK BEARING-LOK	2
6.21	ZFG120	SCOTCHPLY - 2Inch X 13 1/2Inch - .195Inch	6

7. DVX307 CONTROL CONSOLE



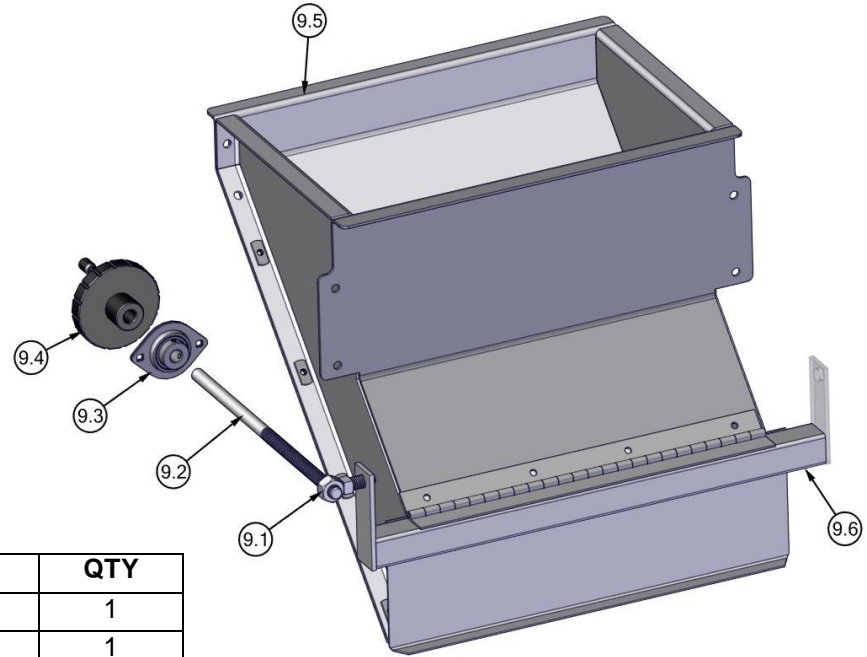
ITEM NO	PART NUMBER	DESCRIPTION	QTY
7.1	ZMTB243	2TLA030054R0100 JOKAB INCA 1 EM STOP	1
7.2	ZMTB244	CP111L-10 ABB PB RESET BLUE 1NO	1
7.3	ZMT99710001	EMT3105P WEINTEK 10.4IN TOUCHSCREEN	1
7.4	DDVHY002410	FBD CONSOLE BASE (ALL SHEET METAL)	1

8. DVX307 DUST HOOD ASSEMBLY



ITEM NO	PART NUMBER	DESCRIPTION	QTY
8.1	DDTDH1021307	DVX307 DUST HOOD LH POST	2
8.2	DDTDH102307	DVX307 DUST HOOD RH POST	2
8.3	DDTDH115307	307 DH BOOT KIT (CLEAR)	2
8.4	DDTDH116307	307 DUSTHOOD BOOT RETAINER SET	1
8.5	DDTDH006307	DVX307 DUSTHOOD FEEDER	1
8.6	DDTDH111307	DVX307 DUSTHOOD AIR GATE	1
8.7	DDTDH124307	307 DH AIR CONTROL ROD 18IN	1
8.8	ZBG074	1/2 INCH 2 BOLT FLANGE BEARING	1
8.9	ZBF003	PLASTIC KNOB WITH RECIPROCAL HANDLE	2
8.10	ZVS6370	TEMPERATURE SENSOR (NOT SHOWN)	1
8.11	ZVS623	WATER RESISTANT HUMIDITY SENSOR (NOT SHOWN)	1

9. DVX307 DUST HOOD FEEDER



ITEM NO	PART NUMBER	DESCRIPTION	QTY
9.1	SDK500	K-M/C DECK SQ HEAD EYE BOLT 1Inch	1
9.2	DDTDH123307	307 DH FEEDER CONTROL GATE ROD 12IN	1
9.3	ZBG074	1/2 INCH 2 BOLT FLANGE BEARING	1
9.4	ZBF003	PLASTIC KNOB WITH RECIPROCAL HANDLE	1
9.5	DDTDH131307	DH FEEDER FRONT PANEL	1
9.6	DDTDH130307	DUSTHOOD FEEDER LID	1

10. DVX307 DIS.HOPPER

ITEM NO	PART NUMBER	DESCRIPTION	QTY
10.1	DDTCD107307	307 DISCHARGE HOPPER	1

