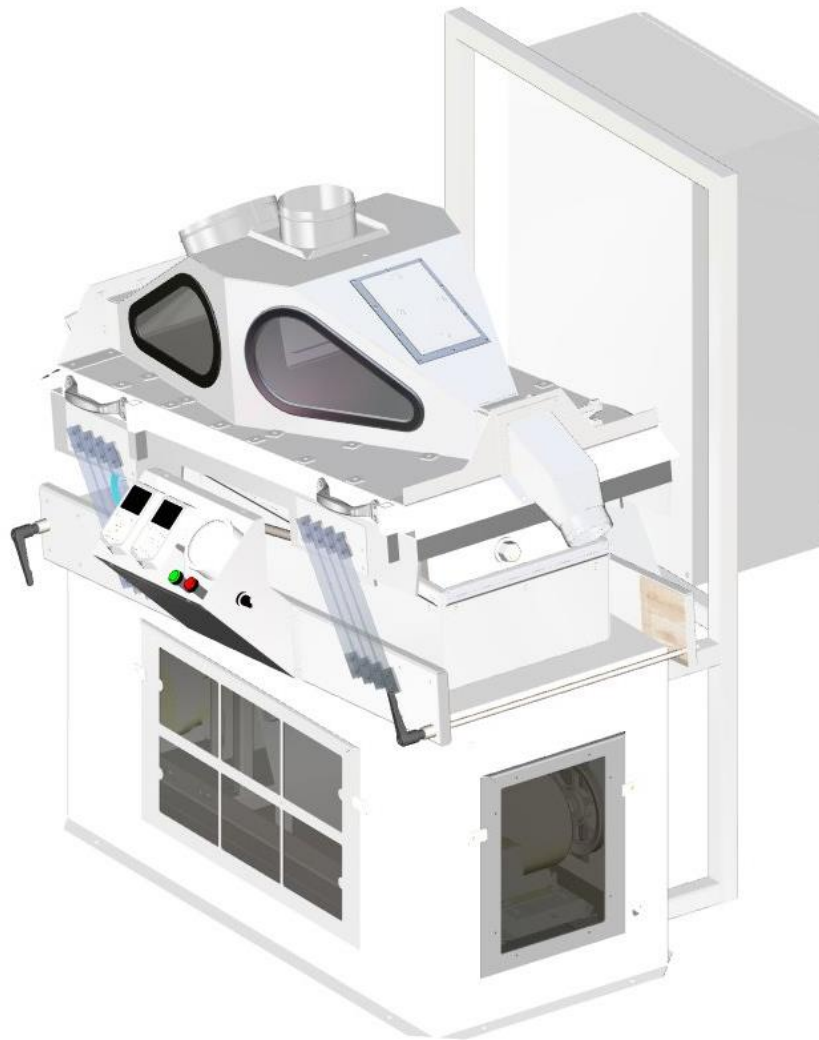


2448 N Hi-cap Stoner Parts Manual



Oliver[™]

Processing for a more productive planet.

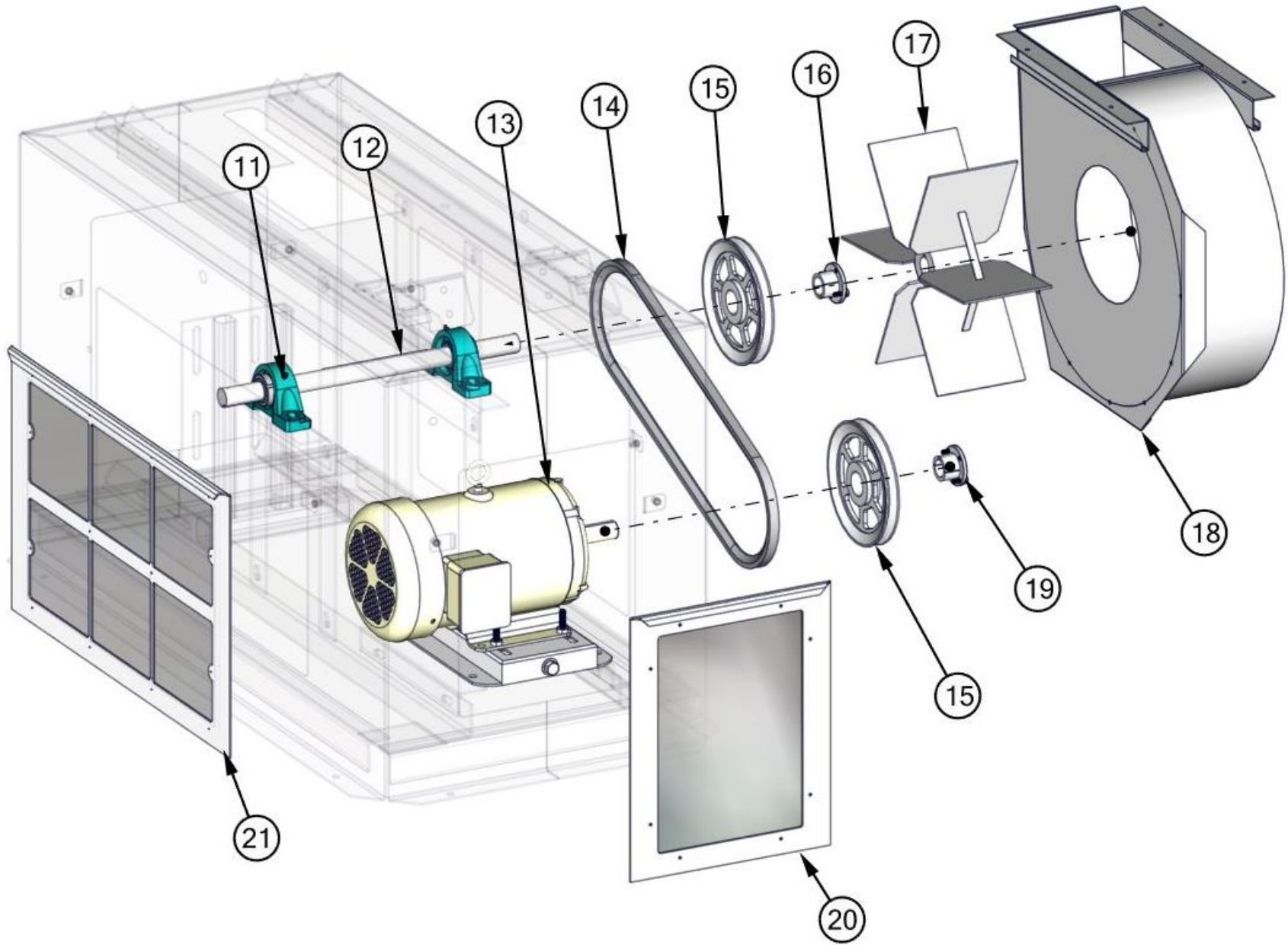
Contact Information:

Main Office and Production
27151 Harris Road
La Junta, CO 81050

Phone: 719-383-9880 | USA TOLL # 1-888-254-7813

INTERNATIONAL +1.719.254.7813

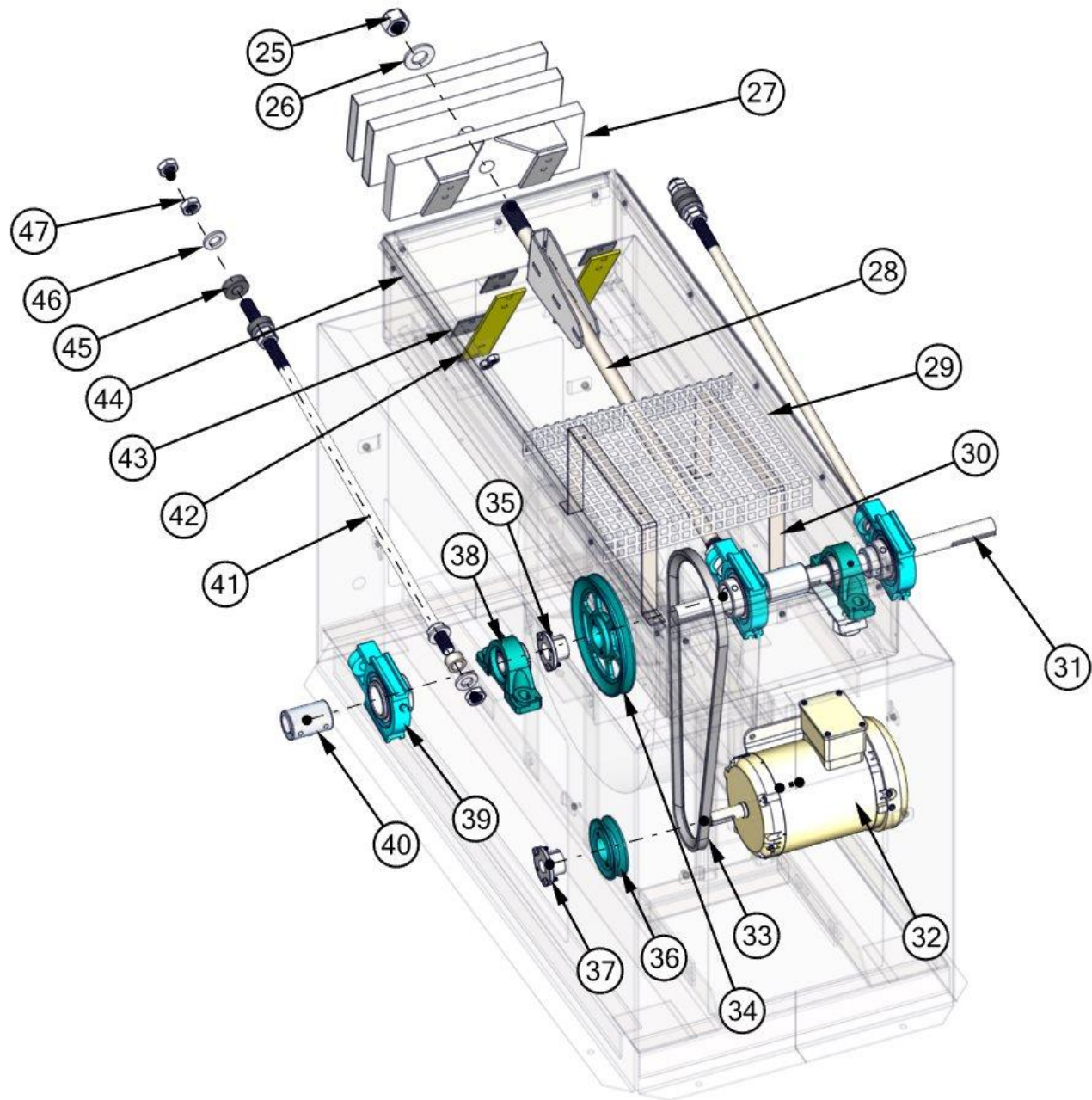
1. 2448 N STONER BLOWER ASSEMBLY



1. 2448 N STONER BLOWER ASSEMBLY

ITEM NO	PART NUMBER	DESCRIPTION	QTY
11	ZBG118	1 3/16" PILLOW BLOCK BEARING	2
12	JBF100	#2448 BLOWER SHAFT	1
13	ZMT101	3HP 230/460/3/60 182T TEFC E-MOTOR	1
14	ZBK255	B55 BELT	1
15	ZBK801	BK80H SHEAVE (H BUSHING REQD)	2
16	ZBK374	H BUSHING 1 3/16Inch	1
17	HBF100	HI CAP FAN WHEEL COMPLETE	1
18	HBF200	DRUM GRAVITY	1
19	ZBK373	H BUSHING 1 1/8Inch	1
20	JAF200	END FLUSH FILTER COMPLETE	2
21	HAF200	HICAP FLUSH FILTER COMPLETE 30Inch	2

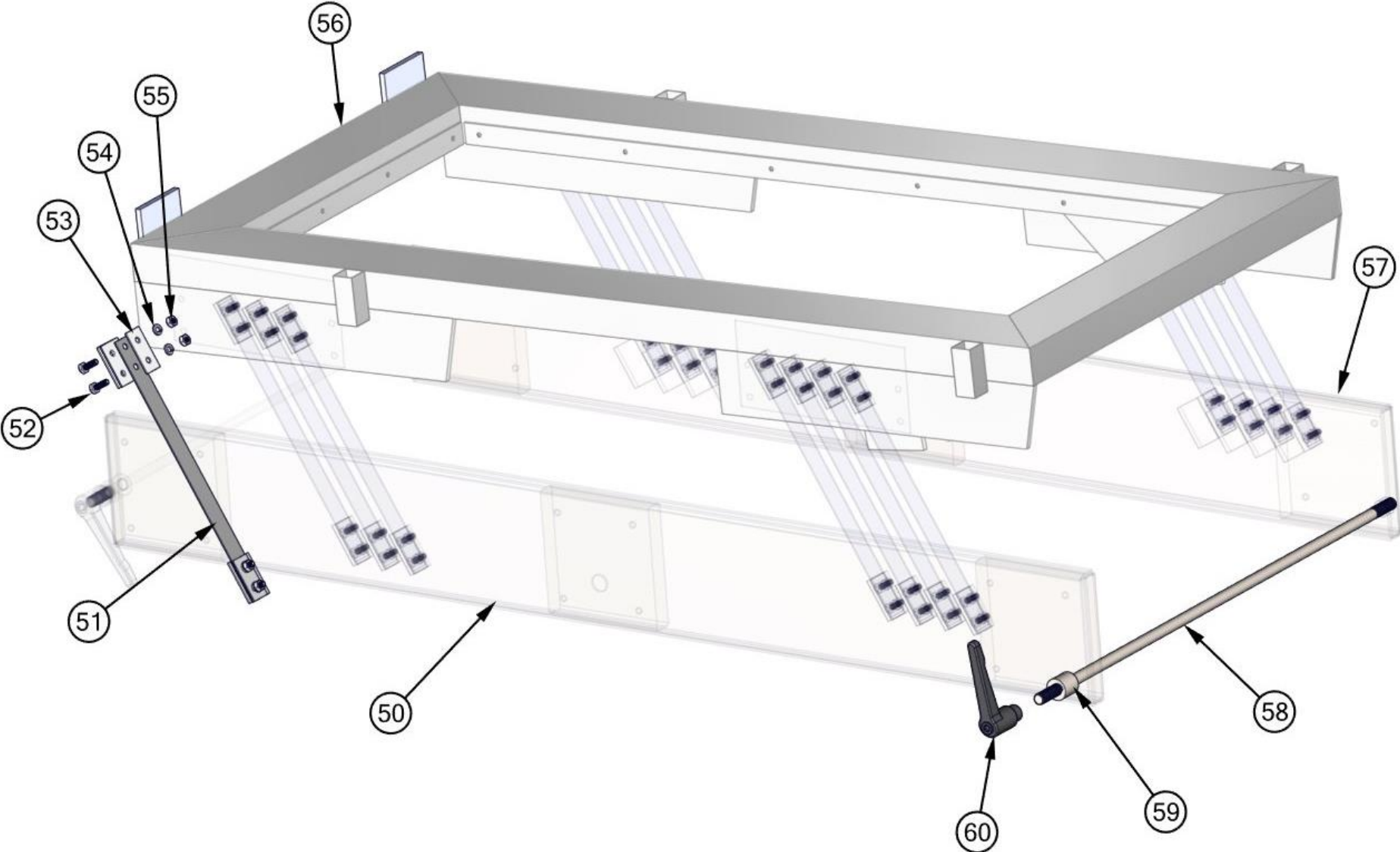
2. 2448 N STONER ECCENTRIC ASSEMBLY



2. 2448 N STONER ECCENTRIC ASSEMBLY

ITEM NO	PART NUMBER	DESCRIPTION	QTY
25.	ZNT510	1Inch NYLON INSERT LOCK NUT	
26.	ZWA950	1Inch USS FLAT WASHER	1
27.	JEC300	#2448 C/W MOUNT PLATE - COMPLETE	1
28.	JEC320	#2448 DRIVE ROD COMPLETE	1
29.	HBFO12	K-STONER AIR BAFFLE 36Inch	1
30.	HBFO13	K-BAFFLE SUPPORT LEG	2
31.	JEC350	#2448 C/W ECCENTRIC SHAFT	1
32.	ZMT010	1HP 230/460/3/60 143T E-MOTOR	1
33.	ZBK251	B51 BELT	1
34.	ZBK801	BK80H SHEAVE (H BUSHING REQD)	1
35.	ZBK374	H BUSHING 1 3/16Inch	1
36.	ZBG118	1 3/16Inch PILLOW BLOCK BEARING-LOK	2
37.	ZBK805	BK36H SHEAVE (H BUSHING REQD)	1
38.	ZBK370	H BUSHING 7/8Inch	1
39.	ZBG230	1 15/16Inch TAKE UP UNIT BRG	2
40.	UEC501	M/C STONER ECC HEART (1/4InchTH) COMPLETE	3
41.	BEC202	K-ECC CONECTING ROD #240, #160 & STONER	2
42.	ZFG125	SCOTCHPLY - 2Inch X 10 1/2Inch - .195Inc	2
43.	SSB101	K-M/C SCOTCHPLY BACK PLATE 2 X 2 1/2	4
44.	JAC003	AIRCHEST ASSEMBLY	1
45.	ZEC007	3-4 RUBBER WASHER	4
46.	ZWA934	3/4Inch USS FLAT WASHER	4
47.	ZNT971	1/2Inch SS HEX JAM NUTS	4
48.	ZWA935	3/4Inch INTERNAL TOOTH LOCK WASHER(NOT SHOWN)	4

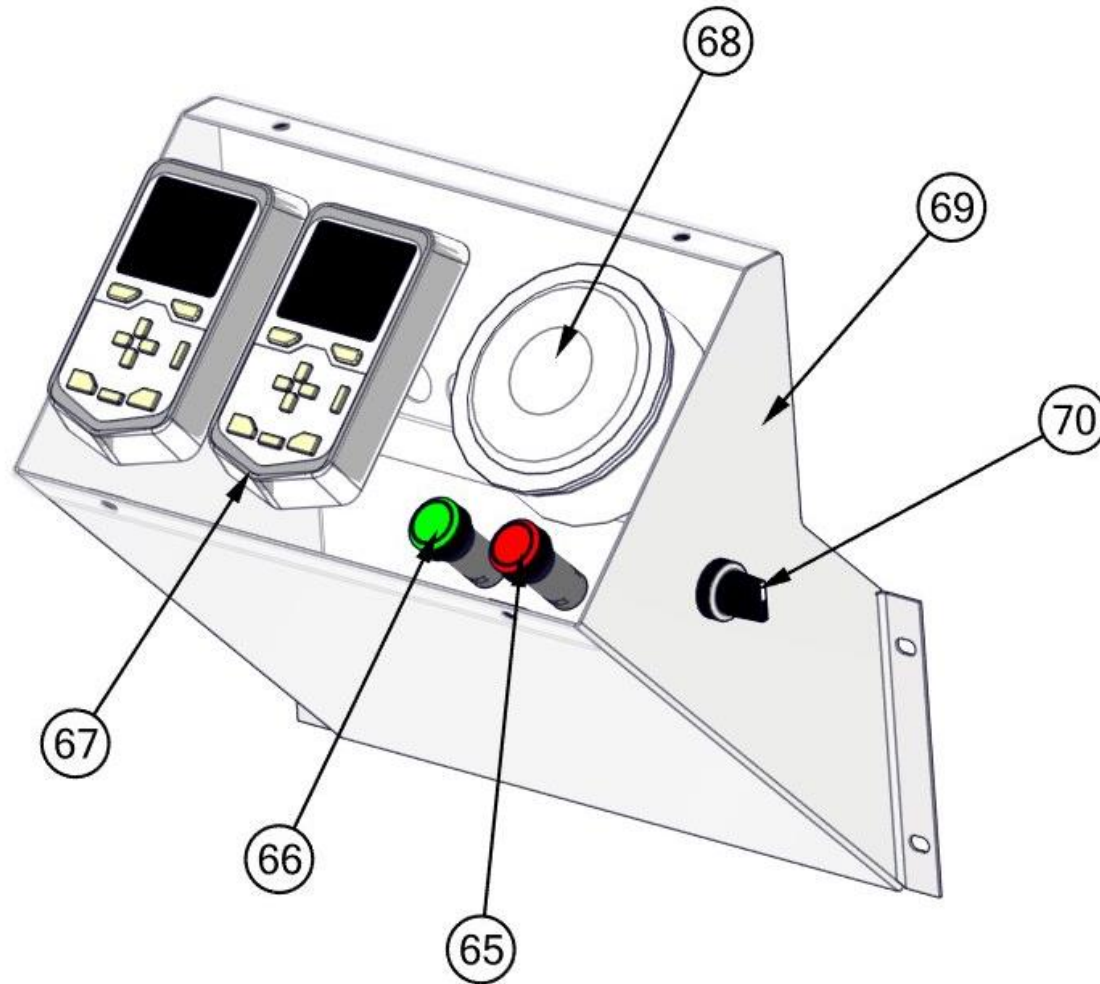
3. 2448 N STONER UPPER SECTION ASSEMBLY



3. 2448 N STONER ECCENTRIC ASSEMBLY

ITEM NO	PART NUMBER	DESCRIPTION	QTY
50.	MSB002	STONER RIGHT SIDE SPRING BOARD	1
51.	HSB504	TOGGLE SPRING	16
52.	ZBT382	1/4Inch X 3/4Inch HEX CAP SCREW SAE	4
53.	ZSB505	LEAF SPRING KEEP	16
54.	ZWA955	1/4Inch MED SPLIT LOCKWASHER	4
55.	ZNT252	1/4Inch HEX FINISH NUT ZINC	4
56.	JDK508	#2448 DECK CARRIAGE (ALUMINUM)	1
57.	MSB001	STONER LEFT SIDE SPRING BOARD	1
58.	JSB200	#2448 WIDTH CLAMP ROD 27 1/2Inch	2
59.	HCR100	K-5/8Inch X 1Inch TUBE SPACER	2
60.	ZDK002	ADJUSTABLE CLAMPING HANDLE	2
61.	JAC341	AIRCHEST BOOT(NOT SHOWN)	1

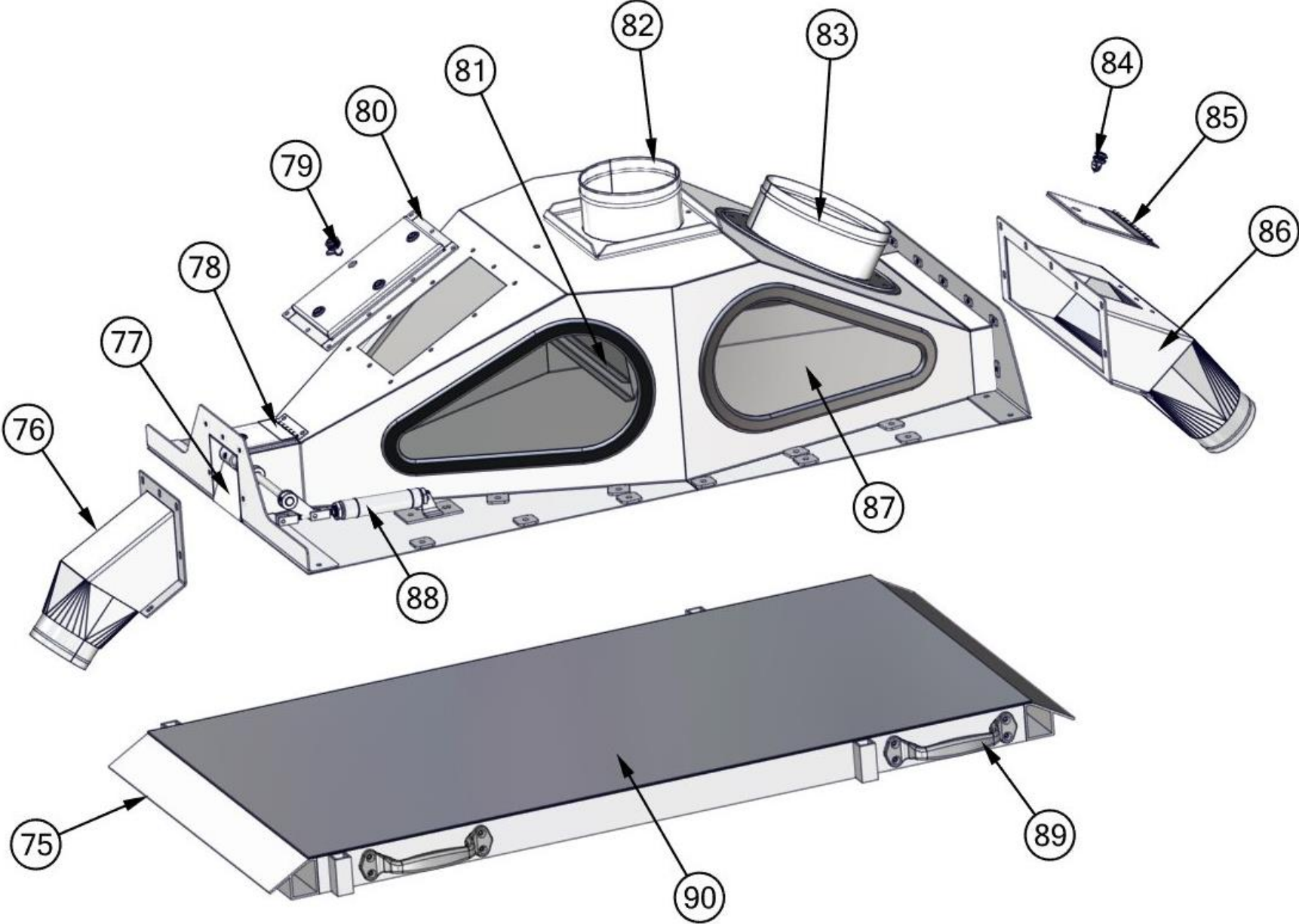
4. 2448 N STONER CONSOLE



4. 2448 N STONER CONSOLE

ITEM NO	PART NUMBER	DESCRIPTION	QTY
65.	ZMTB083	STOP BUTTON	1
66.	ZMTB082	START BUTTON	1
67.	ZMTB087	ABBD ACSX80 BLUETOOTH PANEL(FAN & ECC)	2
68.	ZVS615	DIFFERENTIAL PRESSURE GAUGE	1
69.	HVS405	HICAP (2448 N) (ABB)STONER CONSOLE	1
70.	ZMTB081	3 POSITION SWITCH ABB	1
71.	ZMTB154166	ABBD PANEL EXTENSION CABLE KIT(NOT SHOWN)	1

4. 2448 N STONER DECK/DUSTHOOD ASSEMBLY



4. 2448 N STONER DECK/DUSTHOOD ASSEMBLY

ITEM NO	PART NUMBER	DESCRIPTION	QTY
75.	JDK090	#2448 N 100 MICRON POLYMER DECK	1
76.	JCD131	#2448 N HEAVY FRACT DISCH SPOUT	1
77.	JCD149	HEAVY FRACTION DISCHARGE GATE	1
78.	JDH147	#2448 N SAMPLE ACCESS LID	1
79.	ZDH099	ADJ-TENSION TIGHT-HOLD CAM LATCH 1/8 - 3/8	4
80.	JDH146	CLEANOUT ACCESS LID	1
81.	JDH142	#2448 N DH FEEDER	1
82.	JDH143	FEEDER INLET COLLAR	1
83.	JDH144	8" EXHAUST COLLAR	1
84.	ZDH098	ADJ-TENSION TIGHT-HOLD CAM LATCH 3/8 - 5/8	2
85.	JCD132	#2448 N LIGHT SIDE SAMPLE ACCESS LID	1
86.	JCD130	#2448 N LIGHT SIDE DIS.SPOUT	1
87.	HDH310	LEXAN WINDOW 2448 N	4
88.	ZDH849	AIR CYLINDER 1 1/16 X 2	1
89.	ZDK001	DECK GRAB HANDLE	4
90.	JDK191	#2448 100 MICRON POLYMER OVER COVER	8 SQ.FT
91.	JDH010	#2448 N DUSTHOOD COMPLETE	1