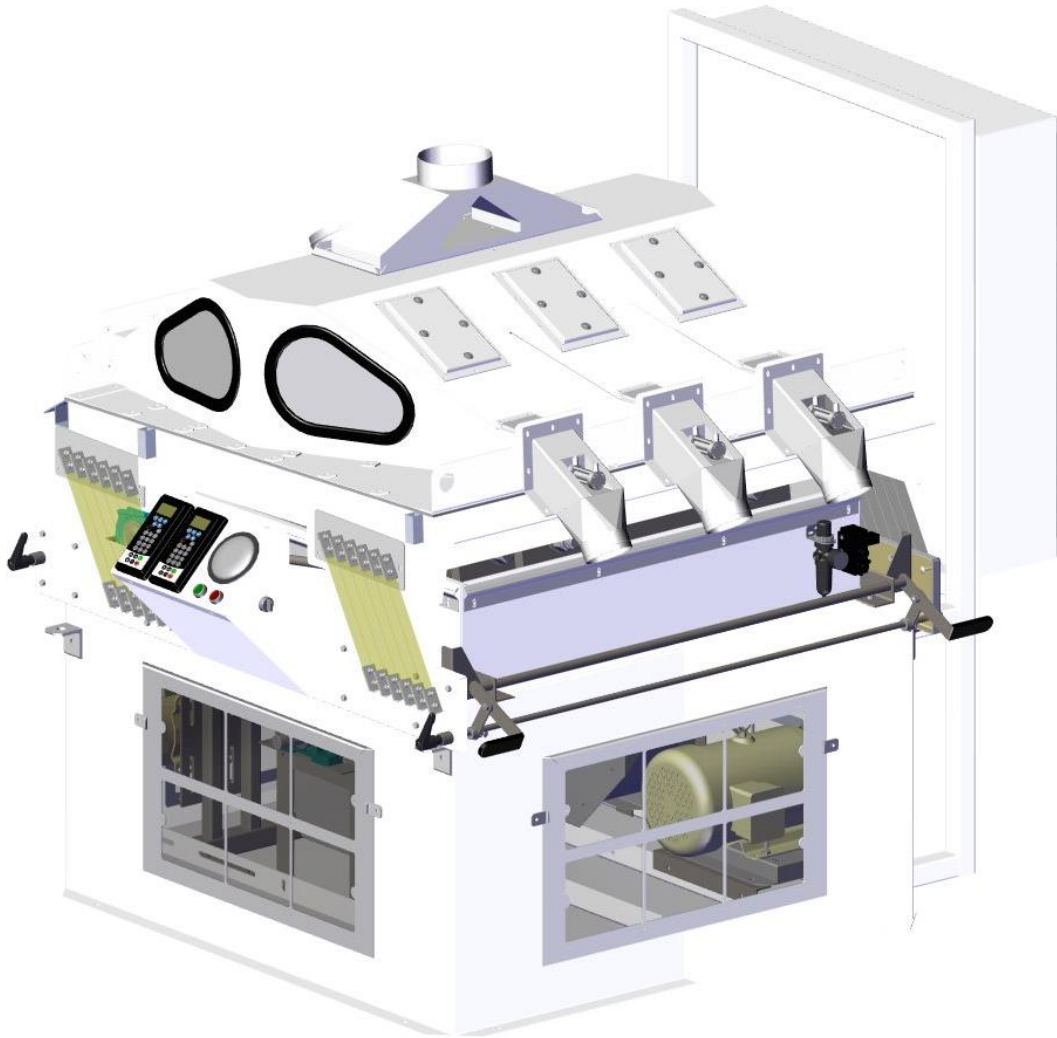


4848 N Hi-cap Stoner Parts Manual



Oliver[™]

Processing for a more productive planet.

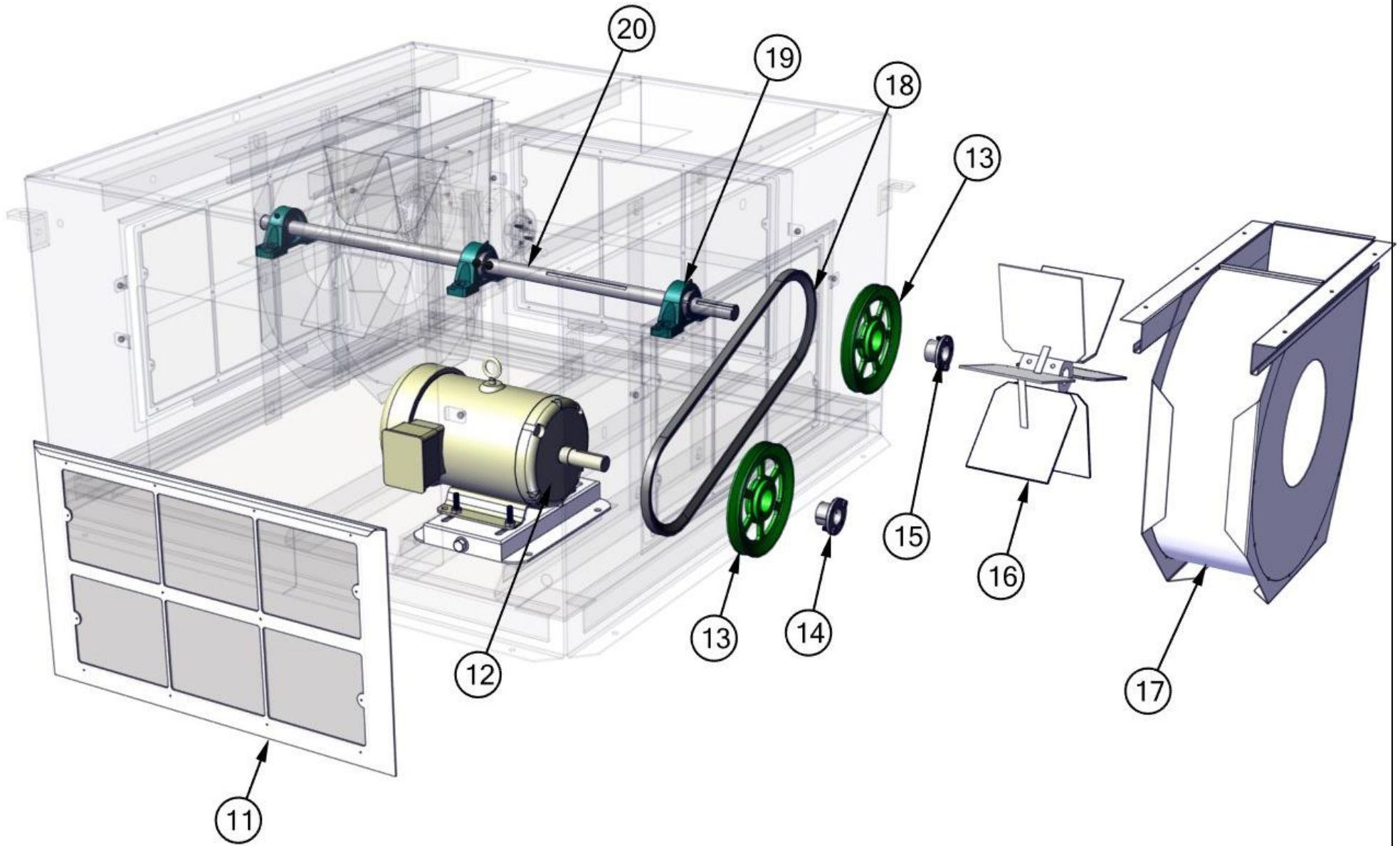
Contact Information:

Main Office and Production
27151 Harris Road
La Junta, CO 81050

Phone: 719-383-9880 | USA TOLL # 1-888-254-7813

INTERNATIONAL +1.719.254.7813

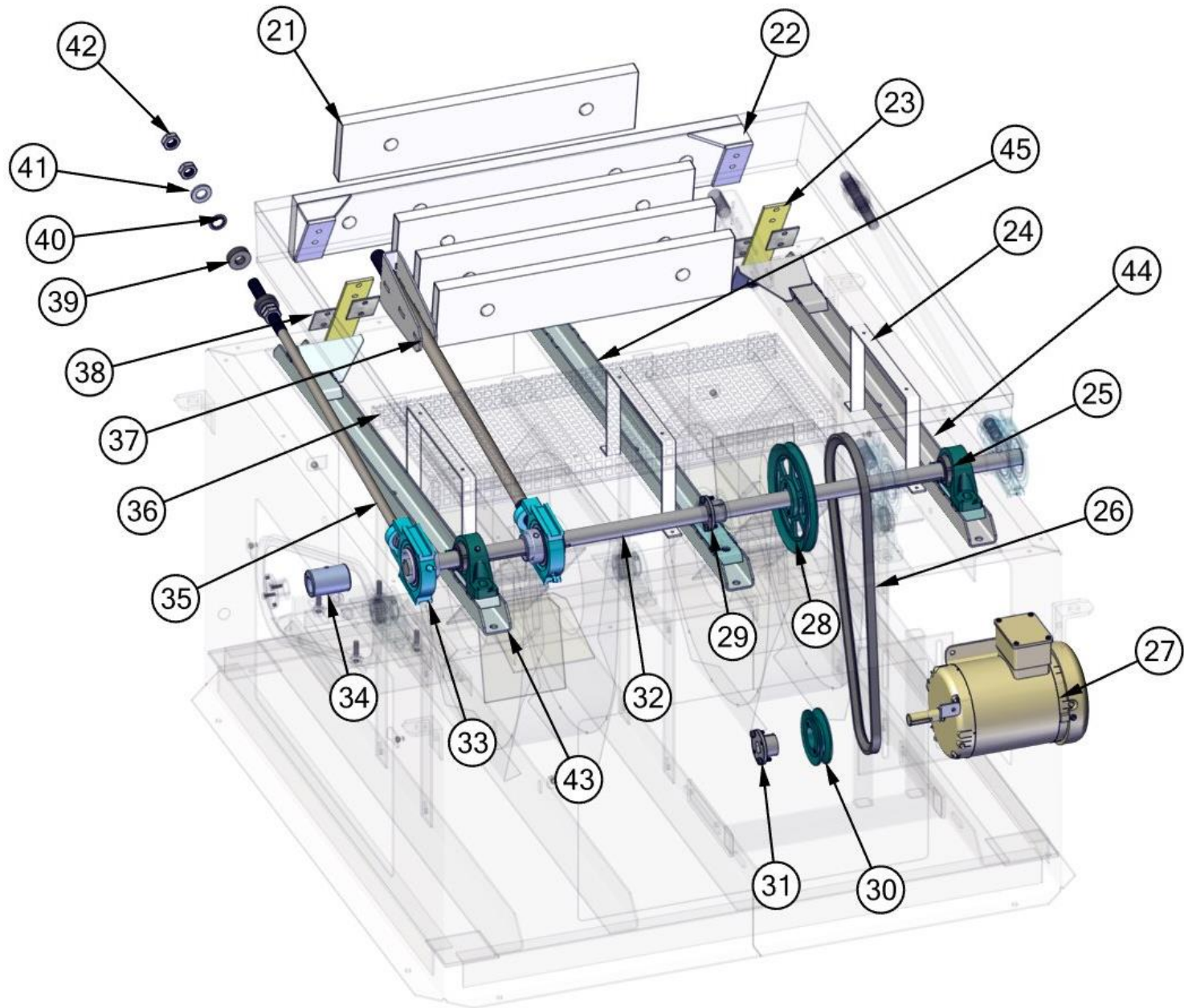
1. 4848 N STONER BLOWER ASSEMBLY



1. 4848 N STONER BLOWER ASSEMBLY

ITEM NO	PART NUMBER	DESCRIPTION	QTY
11	HAF200	HICAP FLUSH FILTER COMPLETE 30Inch	4
12	ZMT101	3HP 230/460/3/60 182T TEFC E-MOTOR	1
13	ZBK801	BK80H SHEAVE (H BUSHING REQD)	2
14	ZBK373	H BUSHING 1 1/8Inch	1
15	ZBK374	H BUSHING 1.1875 SHAFT	1
16	HBF100	BLOWER WHEEL	2
17	HBF200	DRUM GRAVITY	2
18	ZBK255	B55 BELT	1
19	ZBG118	1 3/16" PILLOW BLOCK BEARING	3
20	LBF100	4848 FAN SHAFT	1

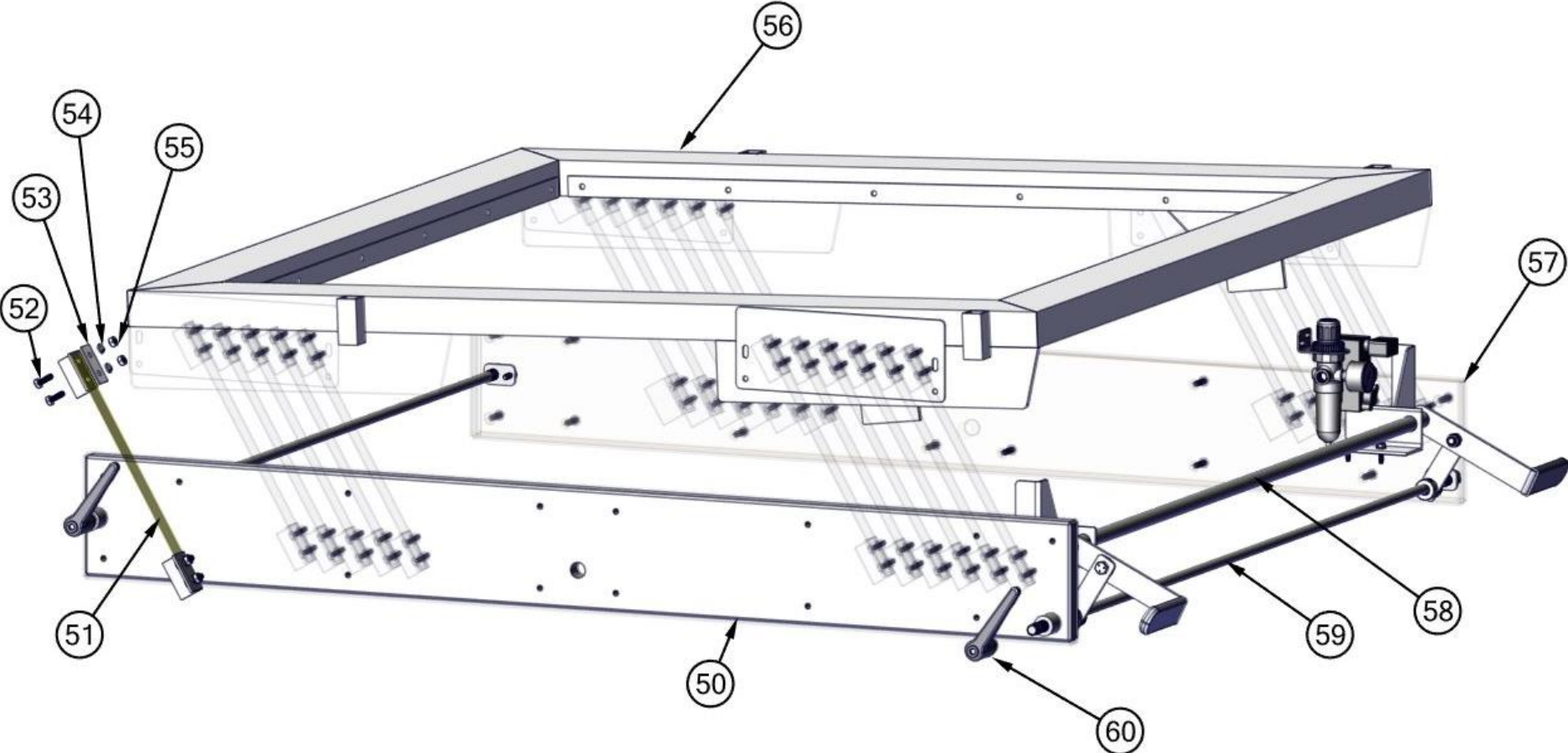
2. 4848 N STONER ECCENTRIC ASSEMBLY



2. 4848 N STONER ECCENTRIC ASSEMBLY

ITEM NO	PART NUMBER	DESCRIPTION	QTY
21.	LEC301	#4848 C/W PLATE - 22Inch	3
22.	LEC300	#4848 C/W MOUNT PLATE - COMPLETE	1
23.	ZFG125	SCOTCHPLY - 2Inch X 10 1/2Inch - .195Inc	2
24.	HBFO13	K-BAFFLE SUPPORT LEG	3
25.	ZBG118	1 3/16Inch PILLOW BLOCK BEARING-LOK	3
26.	ZBK251	B51 BELT	1
27.	ZMT010	1HP 230/460/3/60 143T E-MOTOR	1
28.	ZBK801	BK80H SHEAVE (H BUSHING REQD)	1
29.	ZBK374	H BUSHING 1 3/16Inch	1
30.	ZBK805	BK36H SHEAVE (H BUSHING REQD)	1
31.	ZBK370	H BUSHING 7/8Inch	1
32.	LEC350	#4848 C/W ECCENTRIC SHAFT	1
33.	ZBG230	1 15/16Inch TAKE UP UNIT BRG	2
34.	UEC510	K-H/C STONER HEART 1/8Inch TH (BORE/ETC)	2
35.	BEC202	K-ECC CONECTING ROD #240, #160 & STONER	2
36.	HBFO12	K-STONER AIR BAFFLE 36Inch	2
37.	MEC320	#6048 DRIVE ROD COMPLETE	2
38.	SSB101	K-M/C SCOTCHPLY BACK PLATE 2 X 2 1/2	4
39.	ZEC007	3-4 RUBBER WASHER	4
40.	ZWA935	3/4Inch INTERNAL TOOTH LOCK WASHER(NOT SHOWN)	4
41.	ZWA934	3/4Inch USS FLAT WASHER	4
42.	ZNT971	1/2Inch SS HEX JAM NUTS	4
43.	HEC333	STONER C/W BRG/TOGGLE SUPPRT ANG-COMP.LH	1
44.	HEC330	STONER C/W BRG/TOGGLE SUPPORT ANG-COMP.RH	1
45.	HEC331	STONER ECC BEARING SUPPORT ANGLE	1

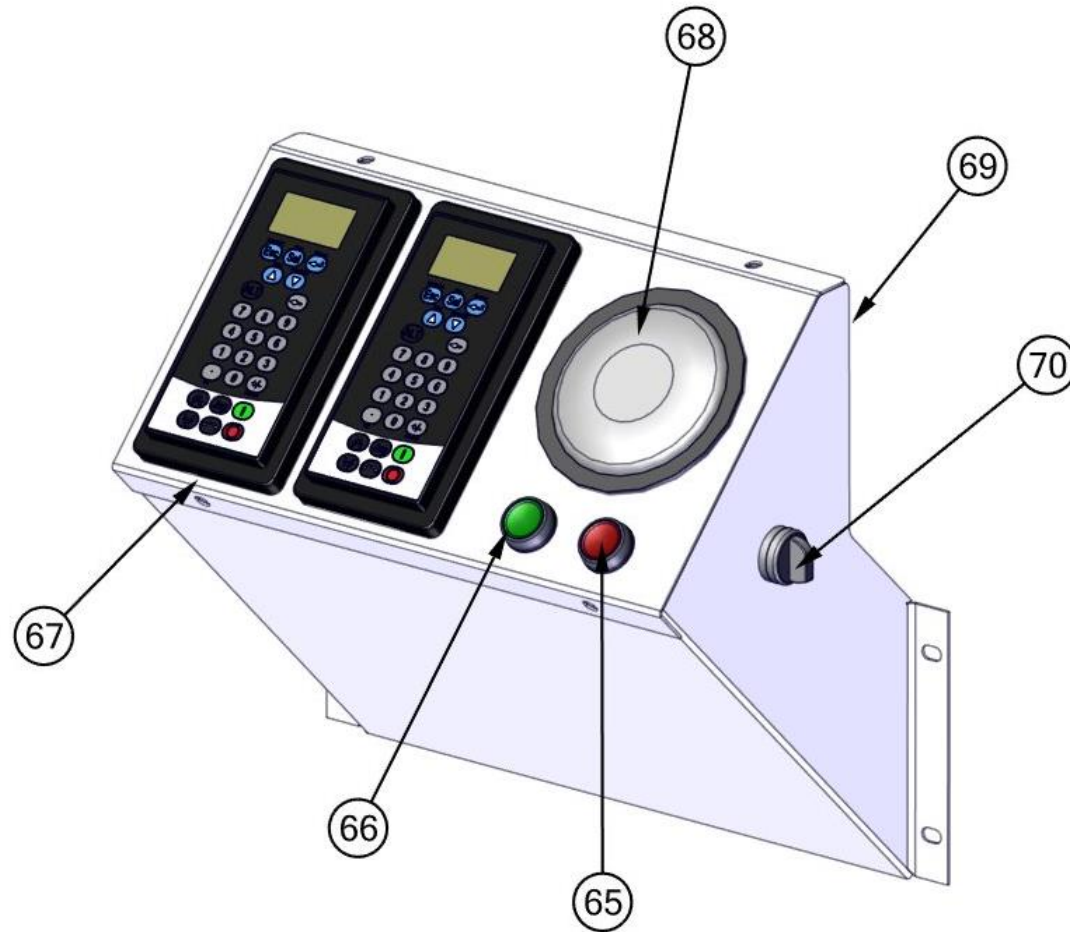
3. 4848 N STONER UPPER SECTION ASSEMBLY



3. 4848 N STONER ECCENTRIC ASSEMBLY

ITEM NO	PART NUMBER	DESCRIPTION	QTY
50.	MSB002	STONER RIGHT SIDE SPRING BOARD	1
51.	HSB504	TOGGLE SPRING	24
52.	ZBT382	1/4Inch X 3/4Inch HEX CAP SCREW SAE	4/TOGGLE
53.	ZSB505	LEAF SPRING KEEP	2/TOGGLE
54.	ZWA955	1/4Inch MED SPLIT LOCKWASHER	4/TOGGLE
55.	ZNT252	1/4Inch HEX FINISH NUT ZINC	4/TOGGLE
56.	LDK508	#4848 DECK CARRIAGE (ALUMINUM)	1
57.	MSB001	STONER LEFT SIDE SPRING BOARD	1
58.	LSB300	#4848 TILT CONTROL ROD	1
59.	LSB200	#4848 WIDTH CLAMP ROD	2
60.	HCR100	K-5/8Inch X 1Inch TUBE SPACER	2
61.	ZDK002	ADJUSTABLE CLAMPING HANDLE	2
62.	LAC341	AIRCHEST BOOT(NOT SHOWN)	1

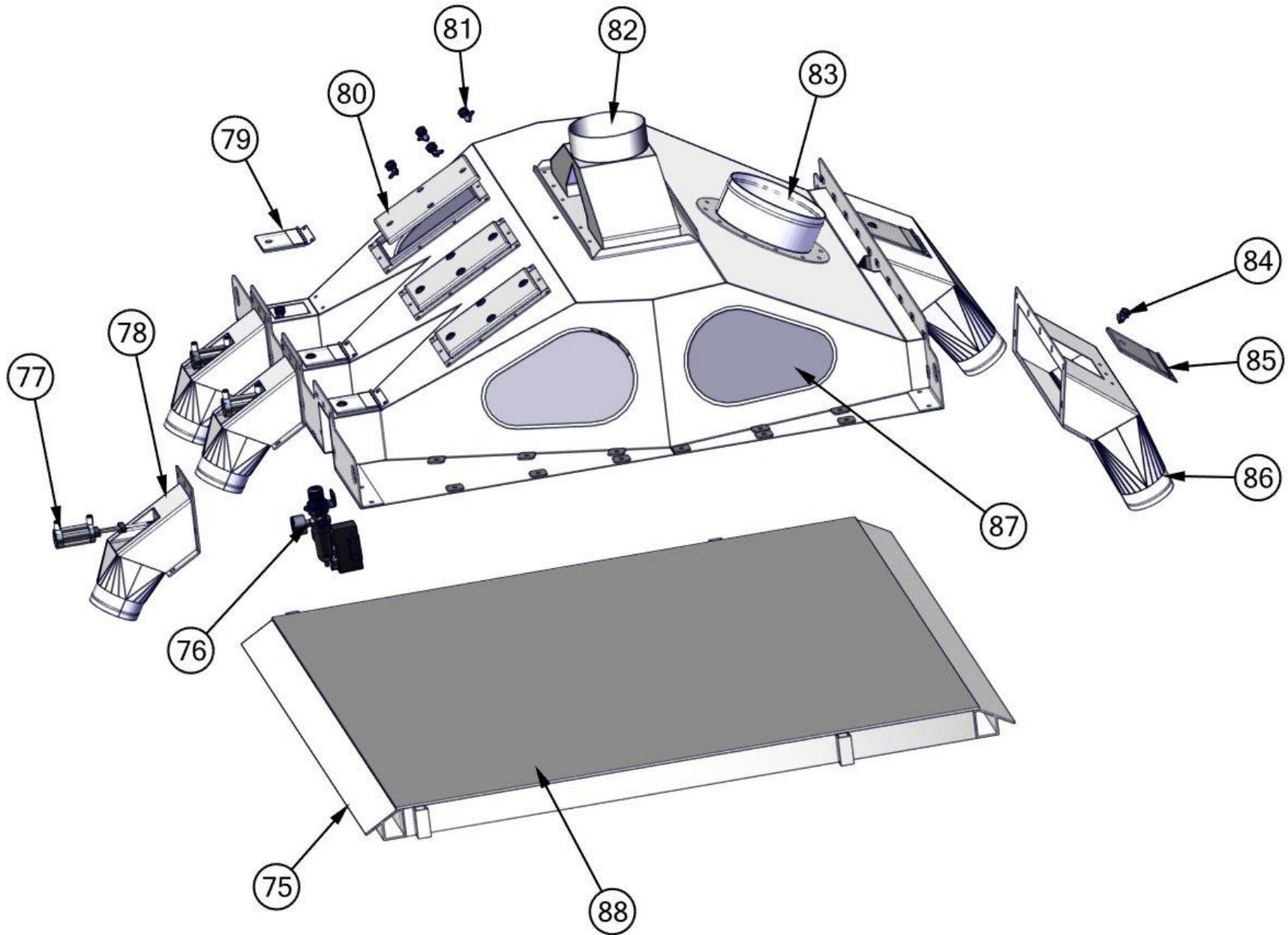
4. 4848 N STONER CONSOLE



4. 4848 N STONER CONSOLE

ITEM NO	PART NUMBER	DESCRIPTION	QTY
65.	ZMTB083	STOP BUTTON	1
66.	ZMTB082	START BUTTON	1
67.	ZVS194	AB AC INVERTER REMOTE KIT (FAN & ECC)	2
68.	ZVS615	DIFFERENTIAL PRESSURE GAUGE	1
69.	HVS406	HICAP (4848 N) AB STONER CONSOLE	1
70.	ZMTB081	3 POSITION SWITCH ABB	1

4. 4848 N STONER DECK/DUSTHOOD ASSEMBLY



4. 4848 N STONER DECK/DUSTHOOD ASSEMBLY

ITEM NO	PART NUMBER	DESCRIPTION	QTY
75.	LDK203	#4848 N 200 MICRON POLYMER DECK(PRODUCT SPECIFIC)	1
76.	ZDH856	AIR FILTER	1
77.	ZDH8495	COMPACT NONROTATING TIE ROD AIR CYLINDER	3
78.	LCD132	HAEVY FRACTION GATED DISCHARGE SPOUT	3
79.	LDH147	#4848 N SAMPLE ACCESS LID	3
80.	LDH146	CLEANOUT ACCESS LID	3
81.	ZDH099	ADJ-TENSION TIGHT-HOLD CAM LATCH 1/8 - 3/8	12
82.	LDH143	#4848 N DH FEEDER	1
83.	LDH144	8"EXHAUST COLLAR	1
84.	ZDH098	ADJ-TENSION TIGHT-HOLD CAM LATCH 3/8 - 5/8	5
85.	LCD129	#4848 N LIGHT SIDE SAMPLE ACCESS LID	2
86.	LCD130	#4848 N LIGHT SIDE DIS.SPOUT	2
87.	HDH311	LEXAN WINDOW 4848 N	4
88.	LDK195	#4848 200 MICRON POLYMER OVER COVER(PRODUCT SPECIFIC)	SQ.FT
89.	ZDK001	DECK GRAB HANDLE(NOT SHOWN)	4
90.	LDH010	#4848 N DUSTHOOD COMPLETE	1
91.	ZDH200	WINDOW RUBBER WEATHER STRIP(NOT SHOWN)	33 INCH
92.	ZDH201	WINDOW RUBBER LOCK(NOT SHOWN)	33 INCH